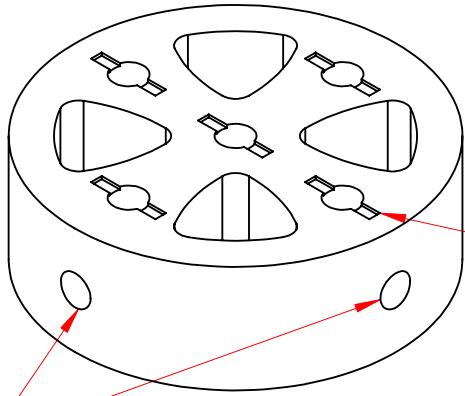
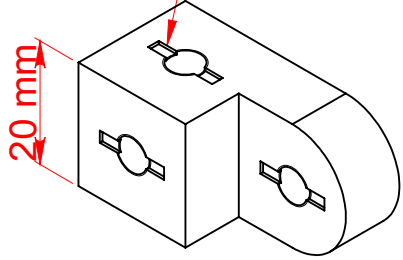


# I

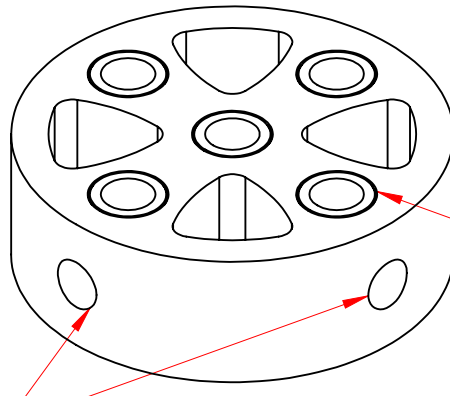


負牙標記  
"-" block  
if any of  
the threaded  
hole has a  
"-" mark

有側孔  
With side hole

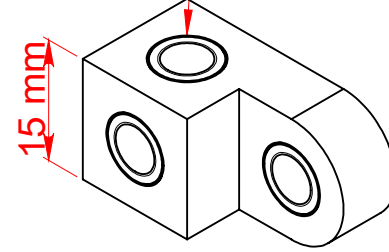


# II

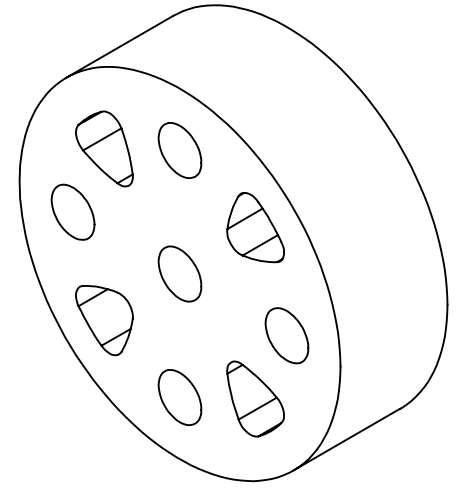


負牙標記  
"-" block  
A circular  
ring outside  
each threaded  
hole

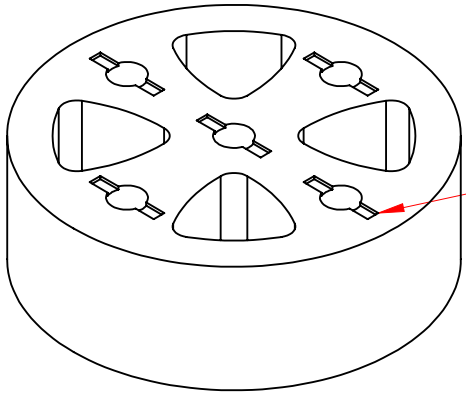
有側孔  
With side hole



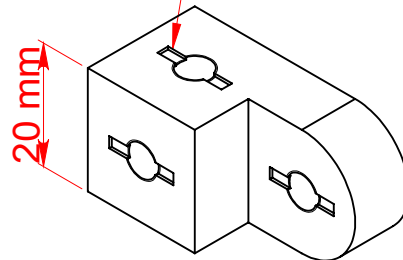
# V



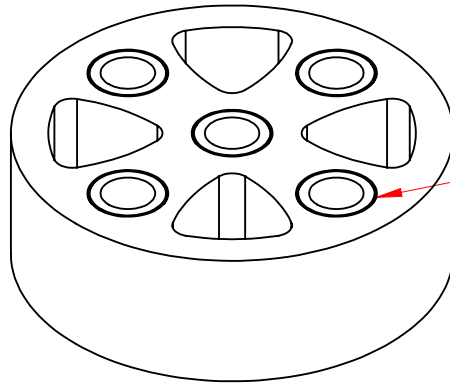
# III



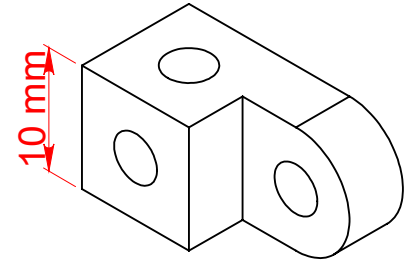
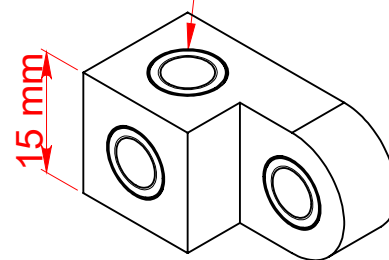
負牙標記  
"-" block  
if any of  
the threaded  
hole has a  
"-" mark



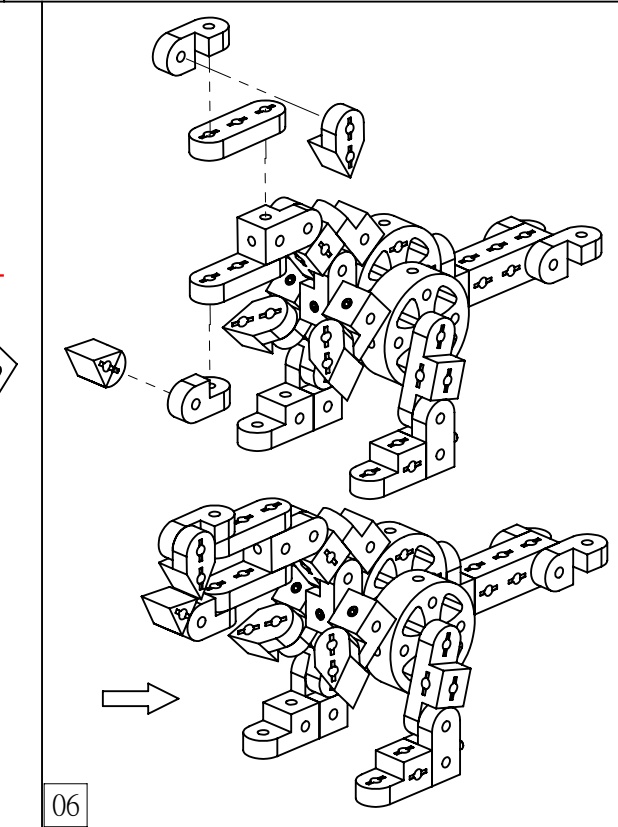
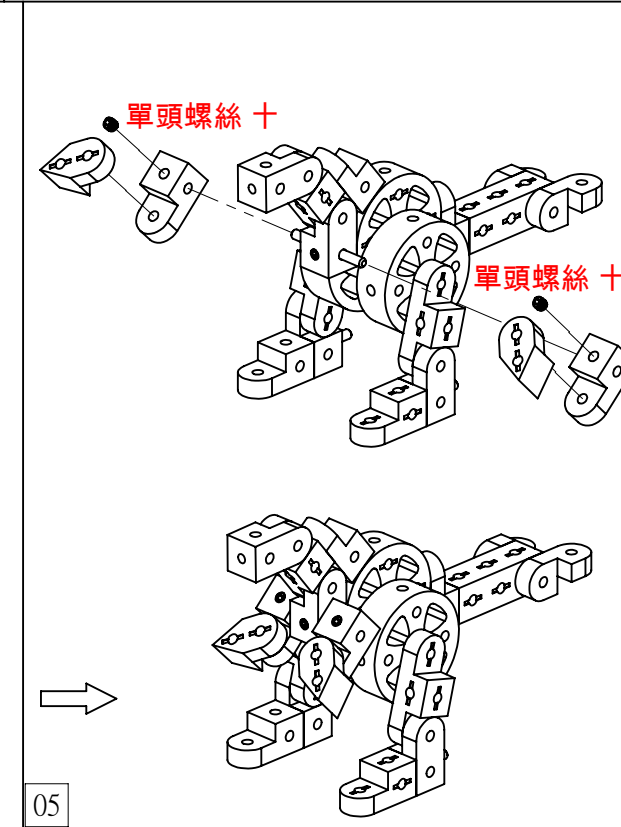
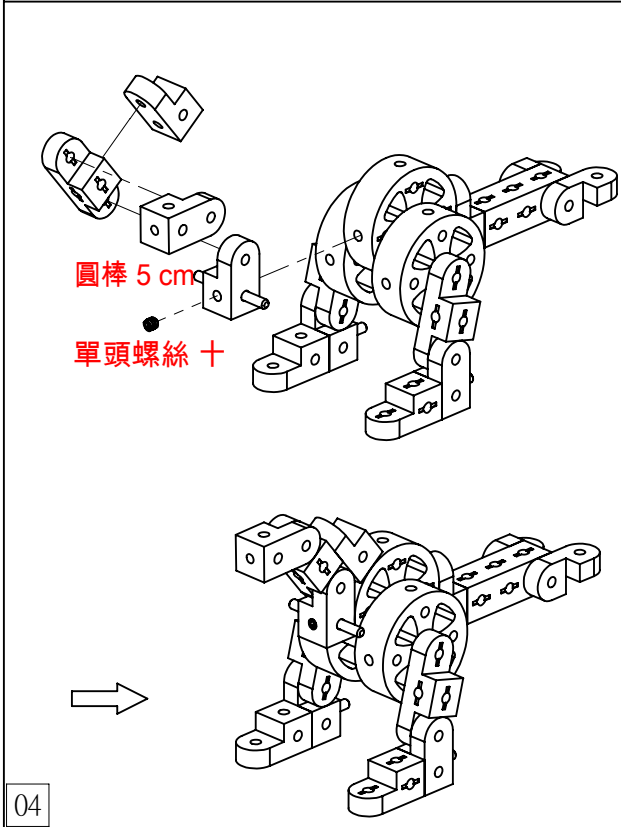
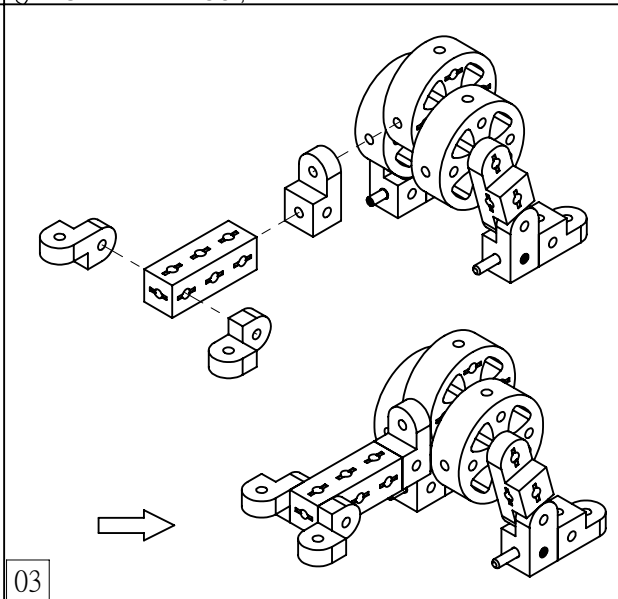
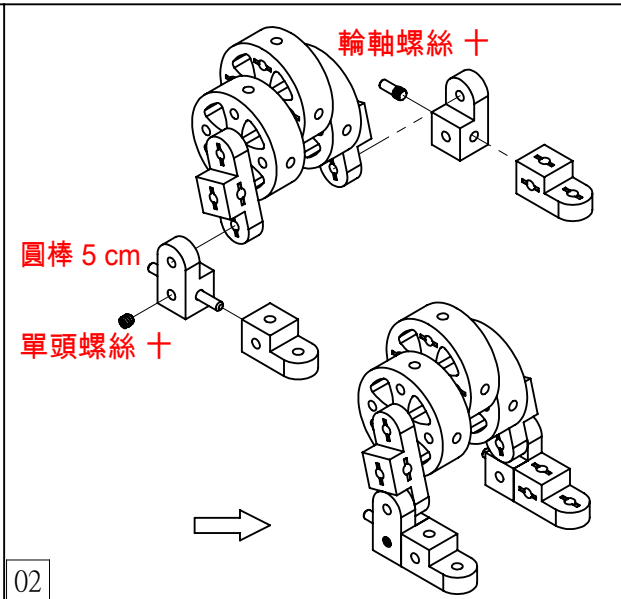
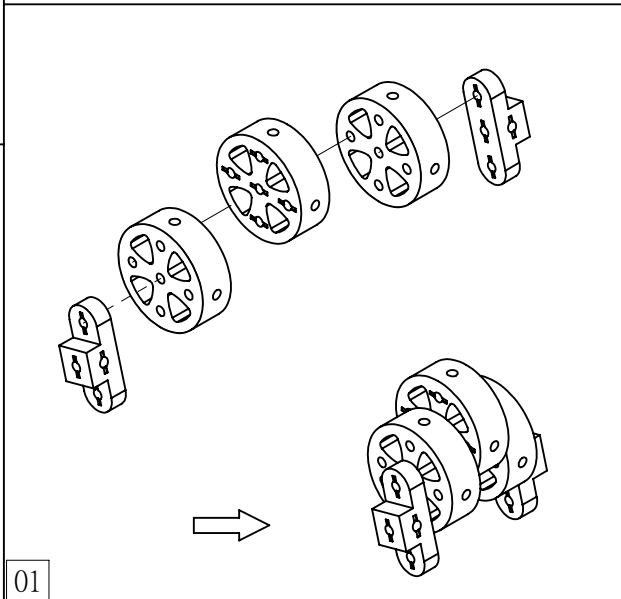
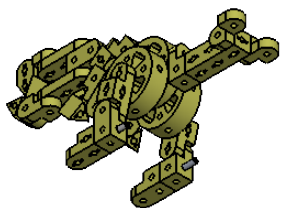
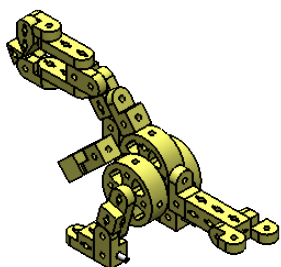
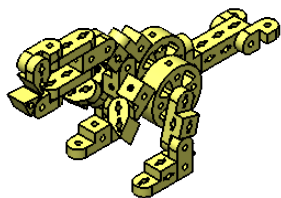
# IV



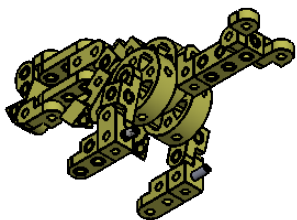
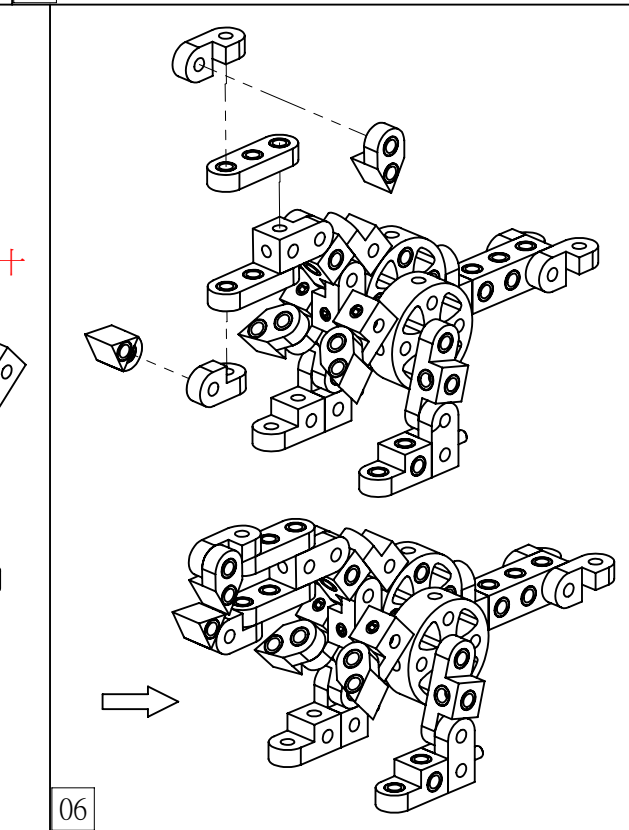
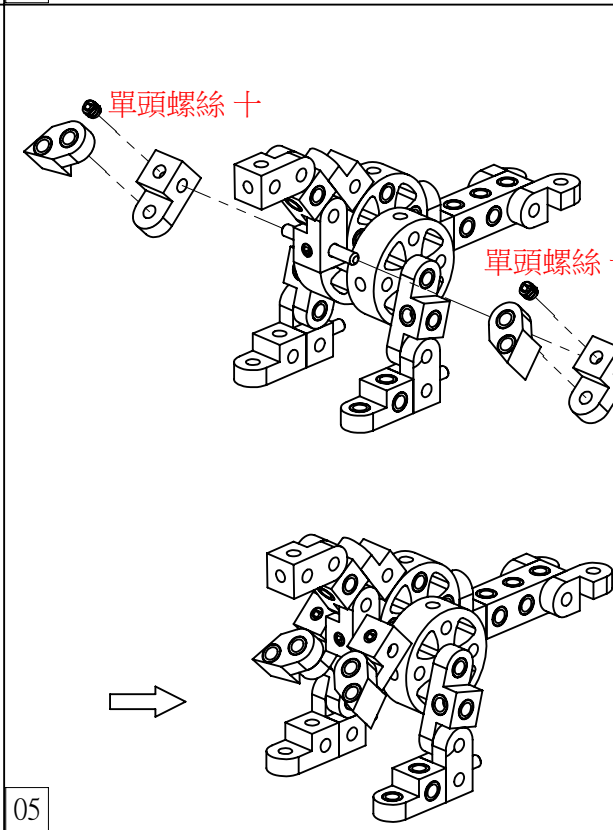
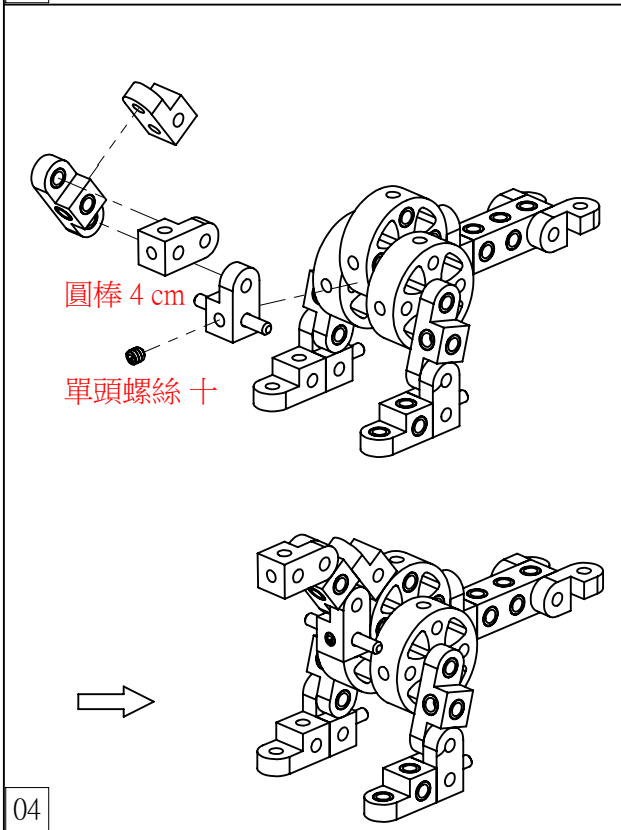
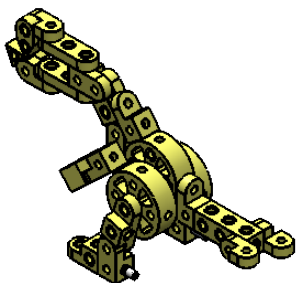
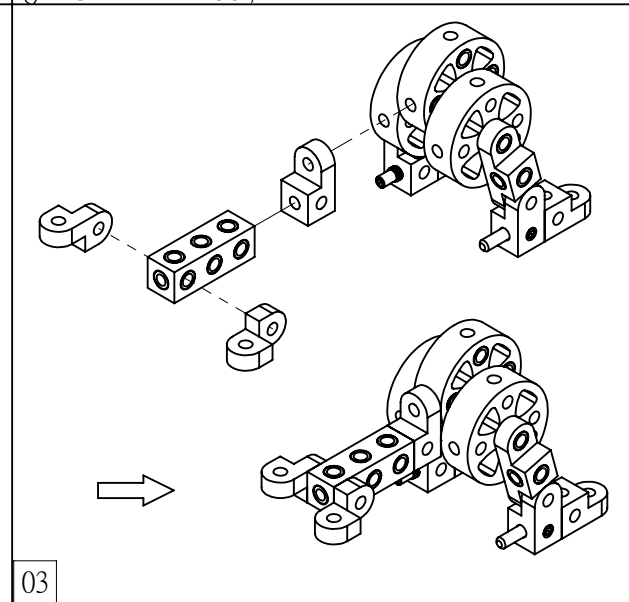
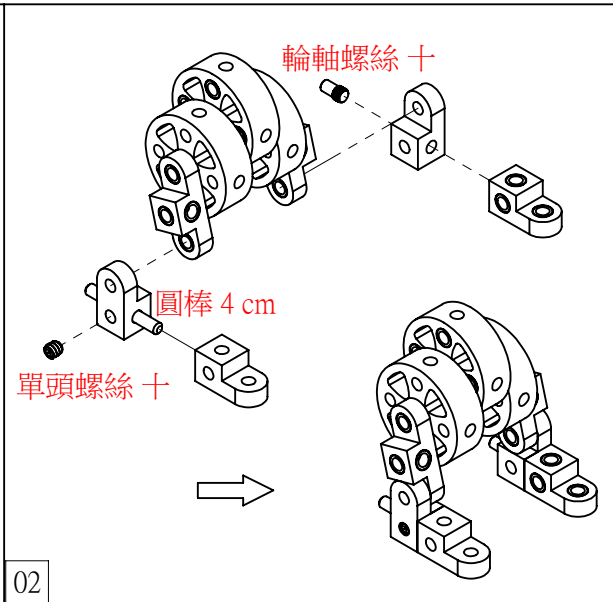
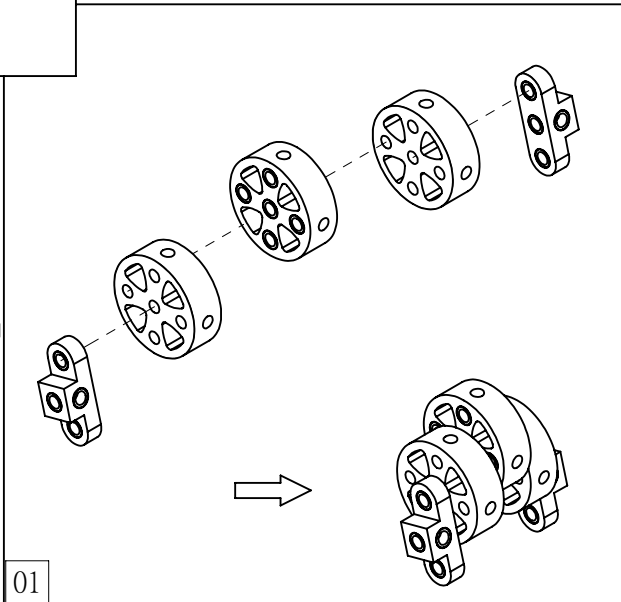
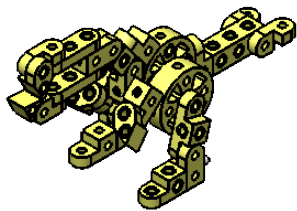
負牙標記  
"-" block  
A circular  
ring outside  
each threaded  
hole



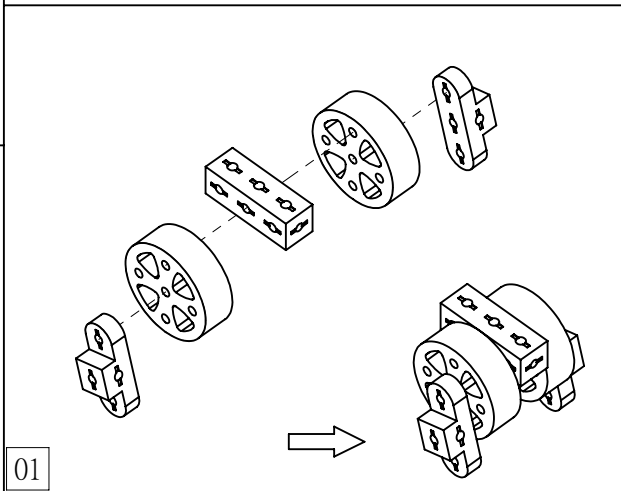
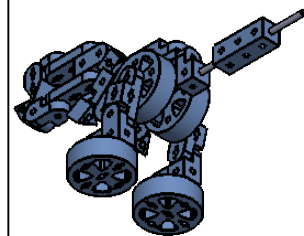
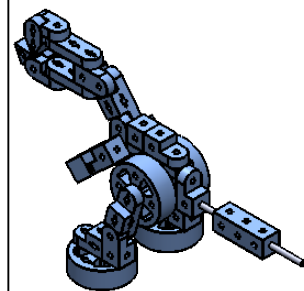
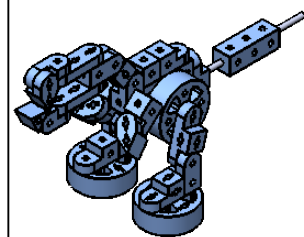
I



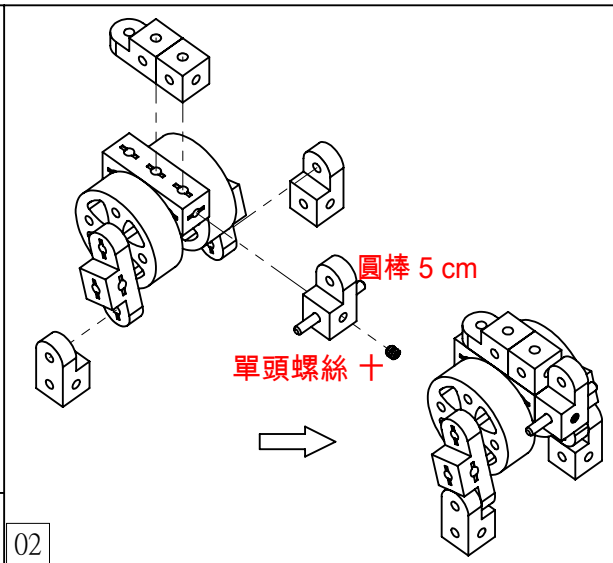
II



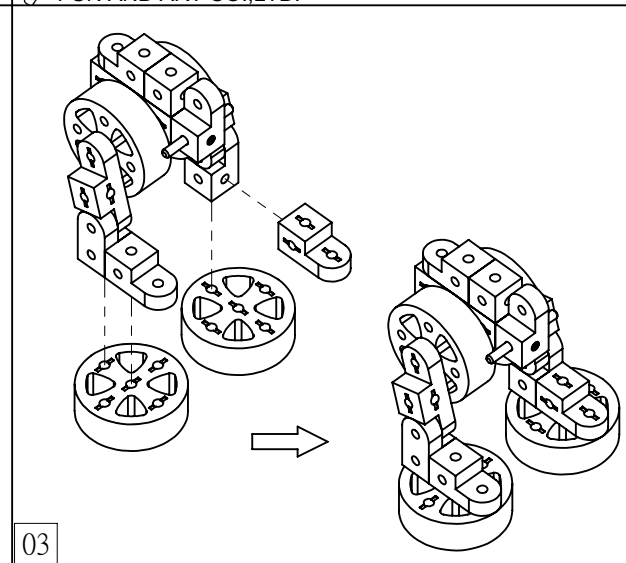
# III



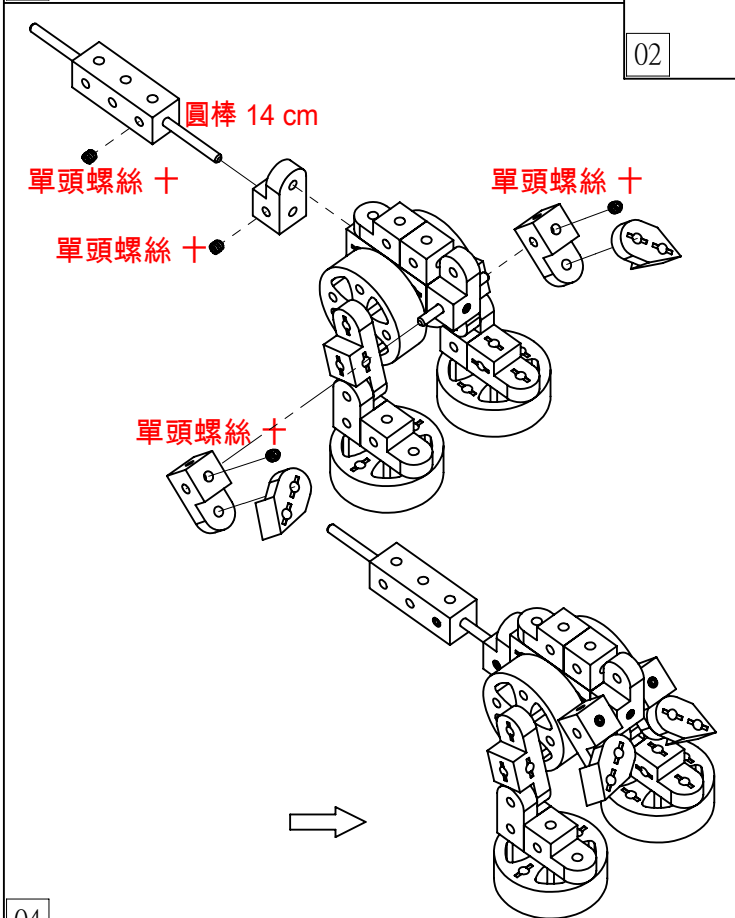
01



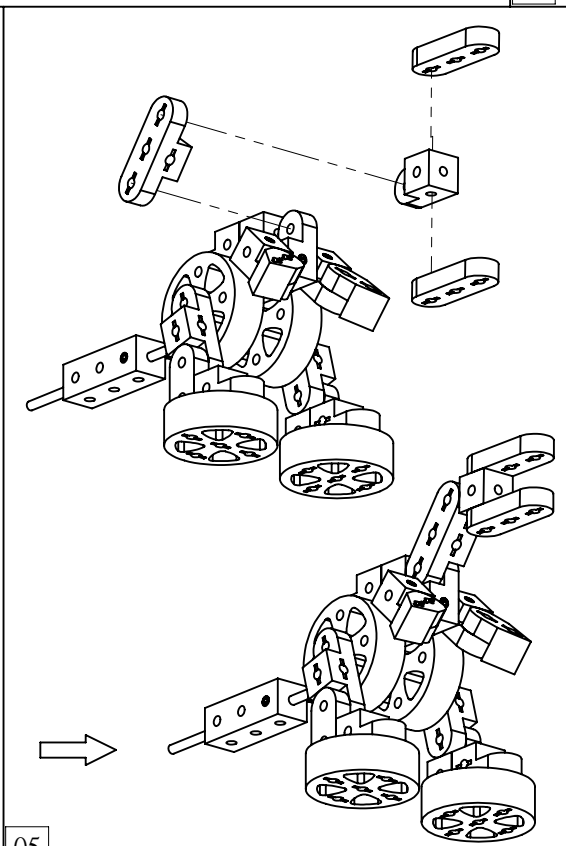
02



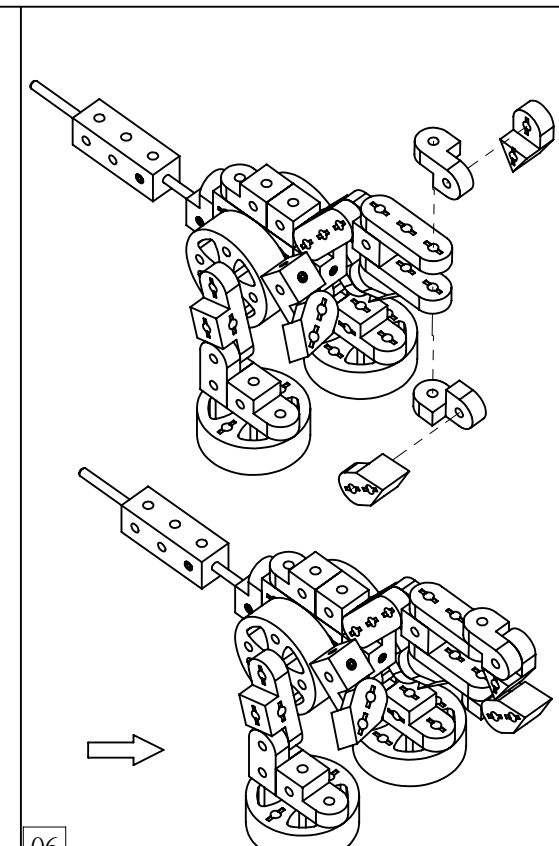
03



04



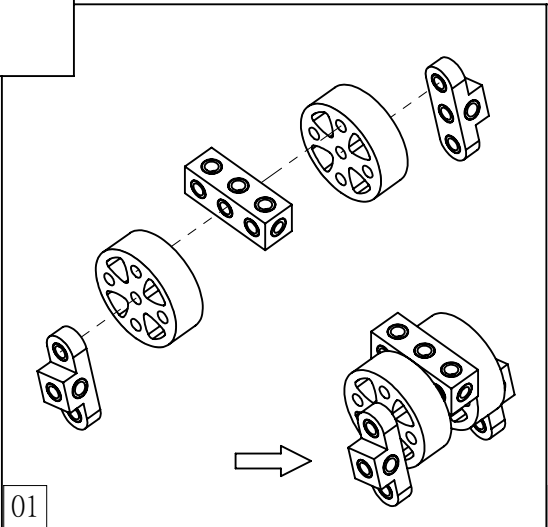
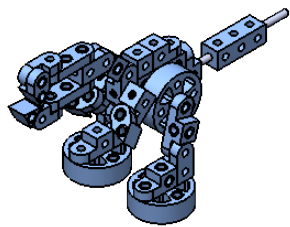
05



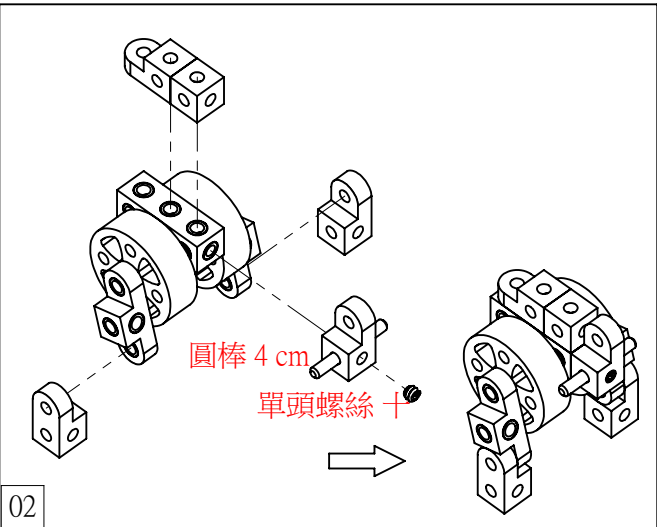
06



IV

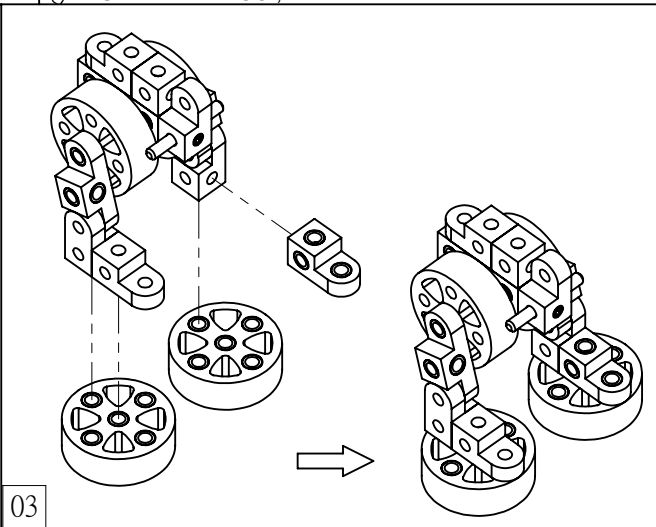


01

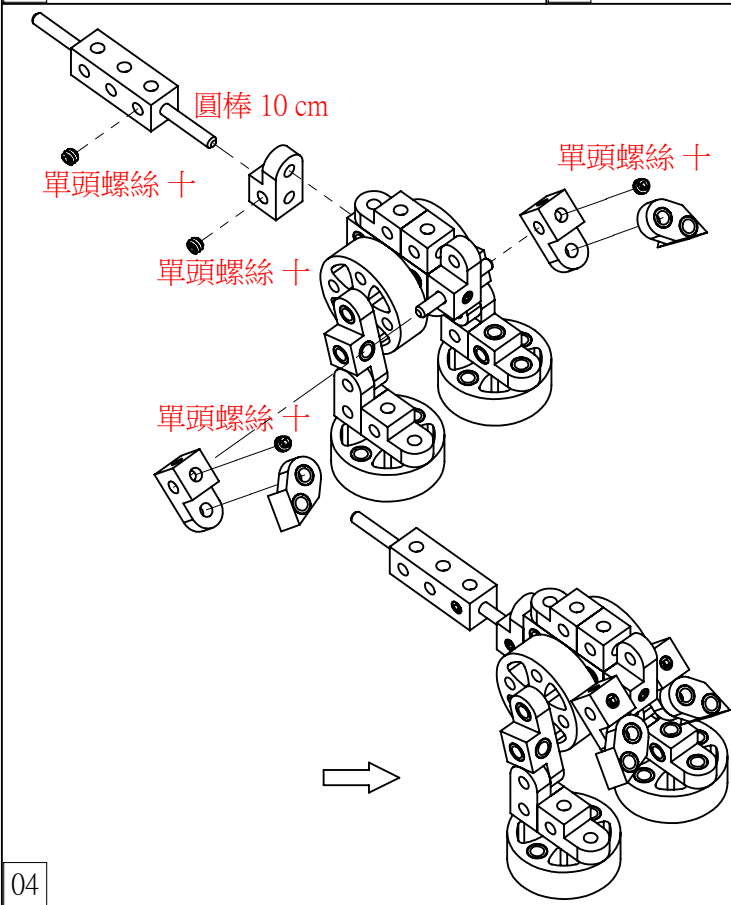
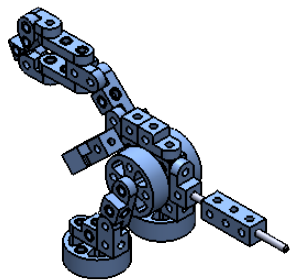


圓棒 4 cm  
單頭螺絲 十

02

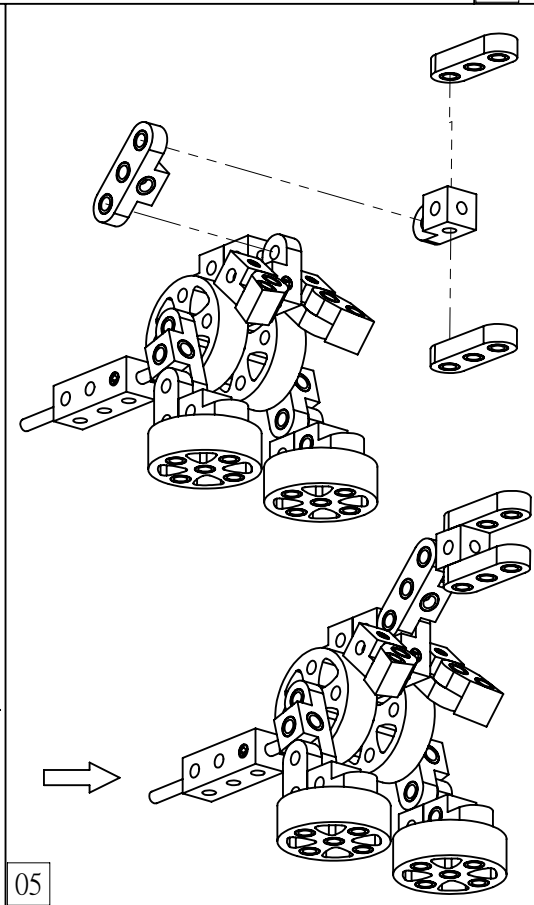


03

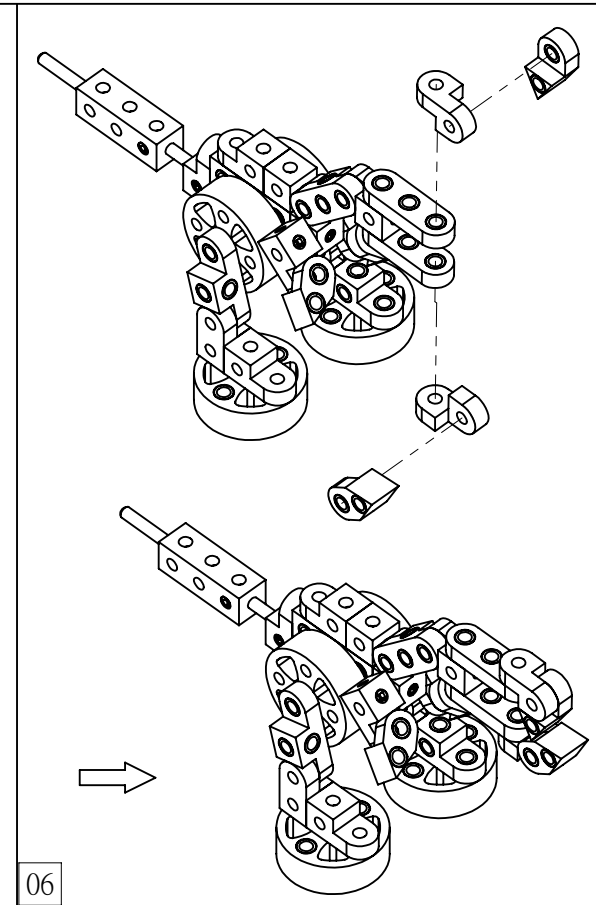


圓棒 10 cm  
單頭螺絲 十  
單頭螺絲 十  
單頭螺絲 十

04



05



06

