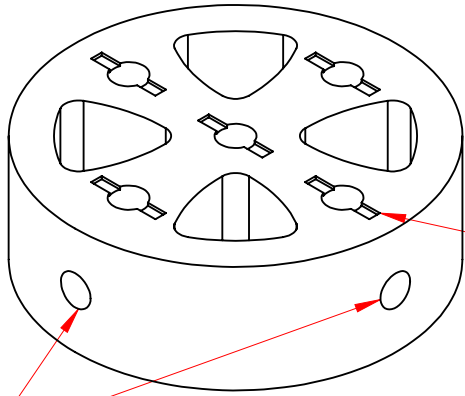
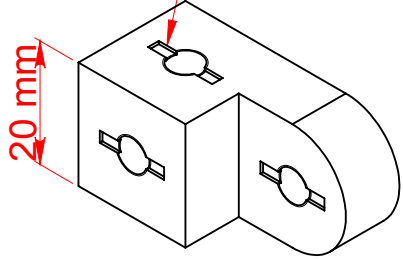


I

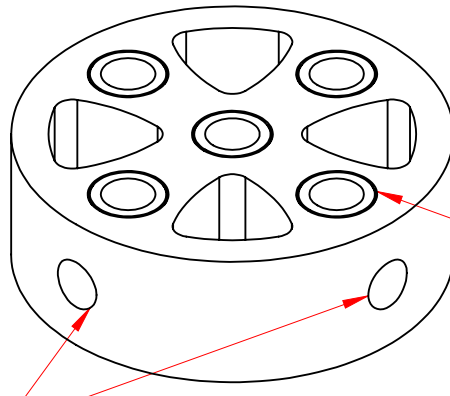


負牙標記
"-" block
if any of
the threaded
hole has a
"-" mark

有側孔
With side hole

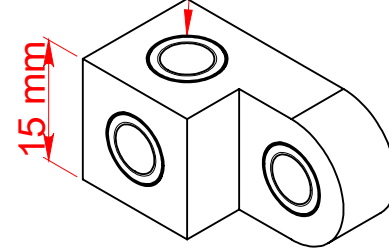


II

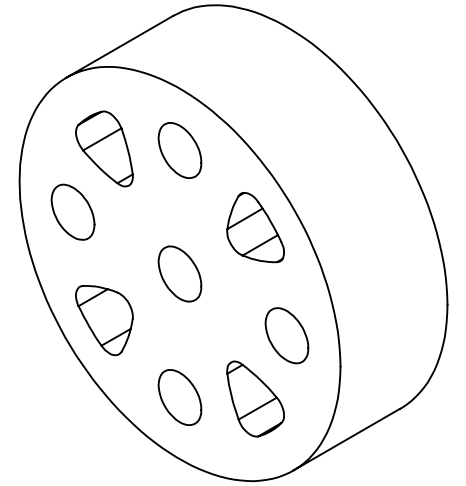


負牙標記
"-" block
A circular
ring outside
each threaded
hole

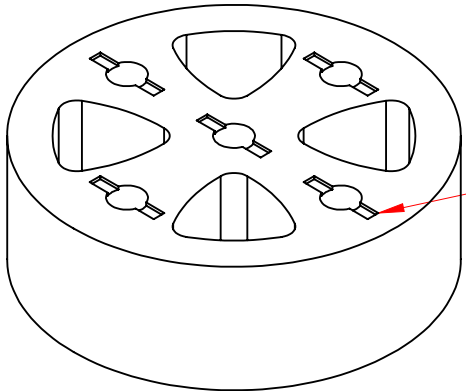
有側孔
With side hole



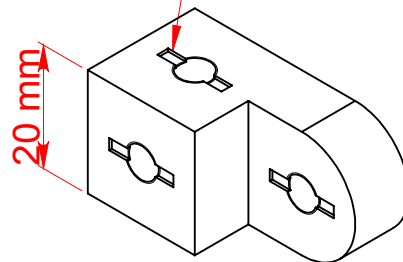
V



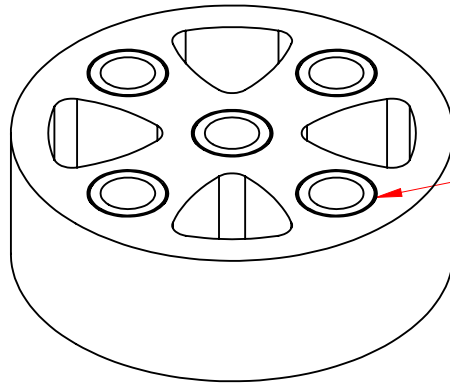
III



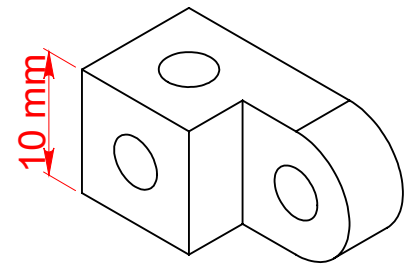
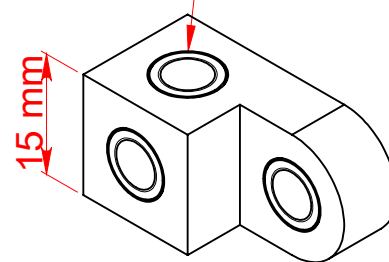
負牙標記
"-" block
if any of
the threaded
hole has a
"-" mark



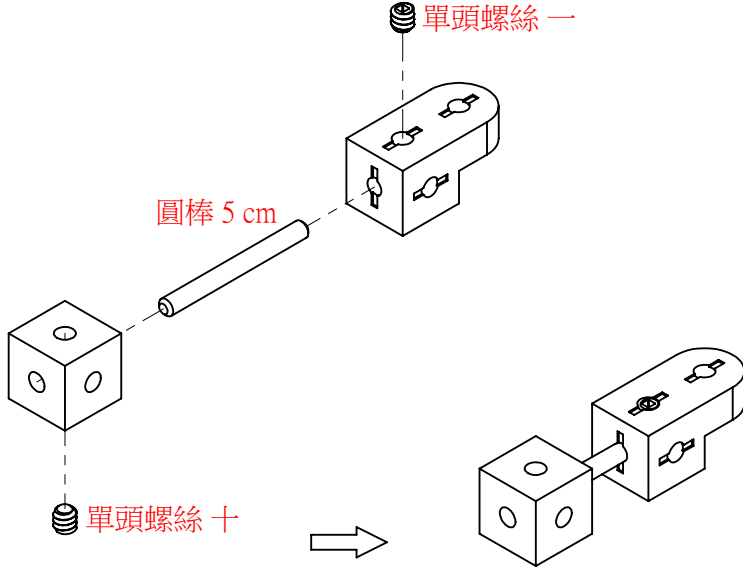
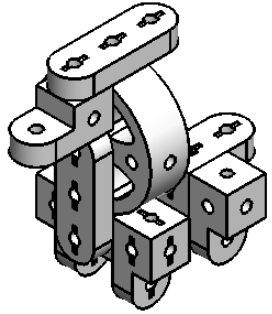
IV



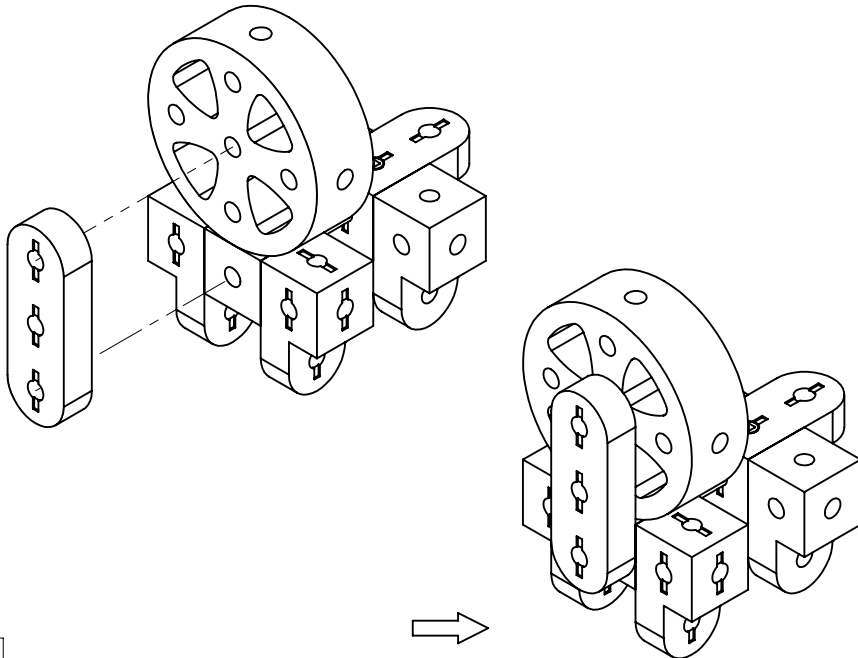
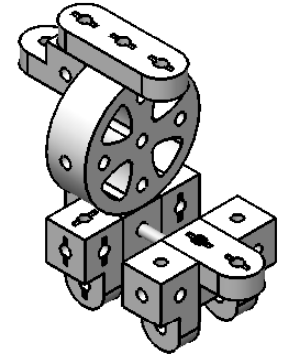
負牙標記
"-" block
A circular
ring outside
each threaded
hole



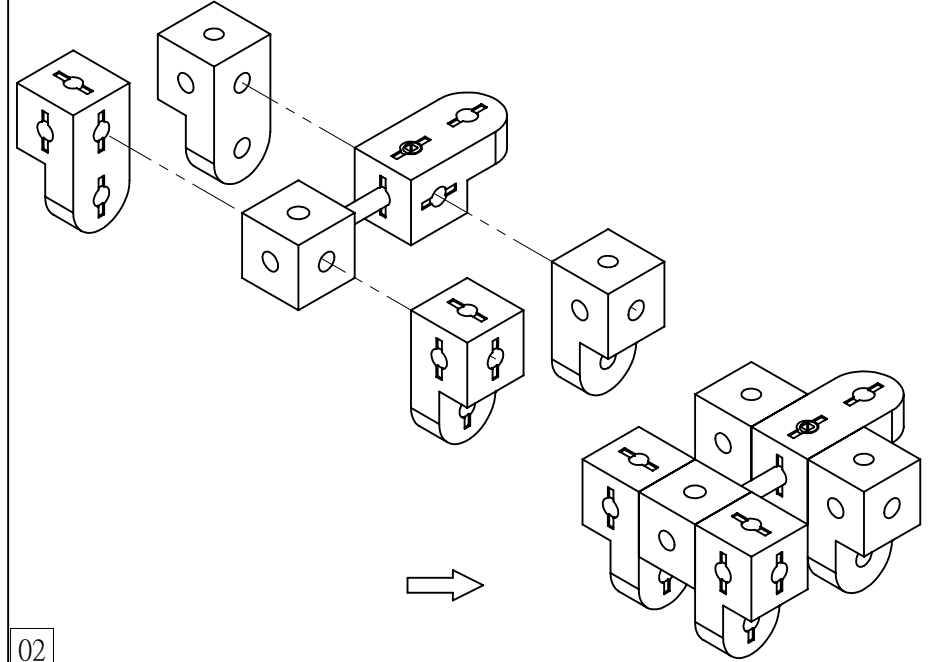
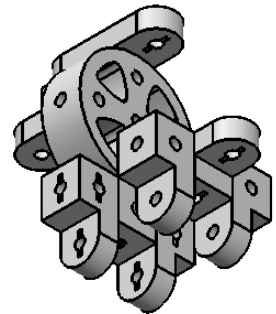
I



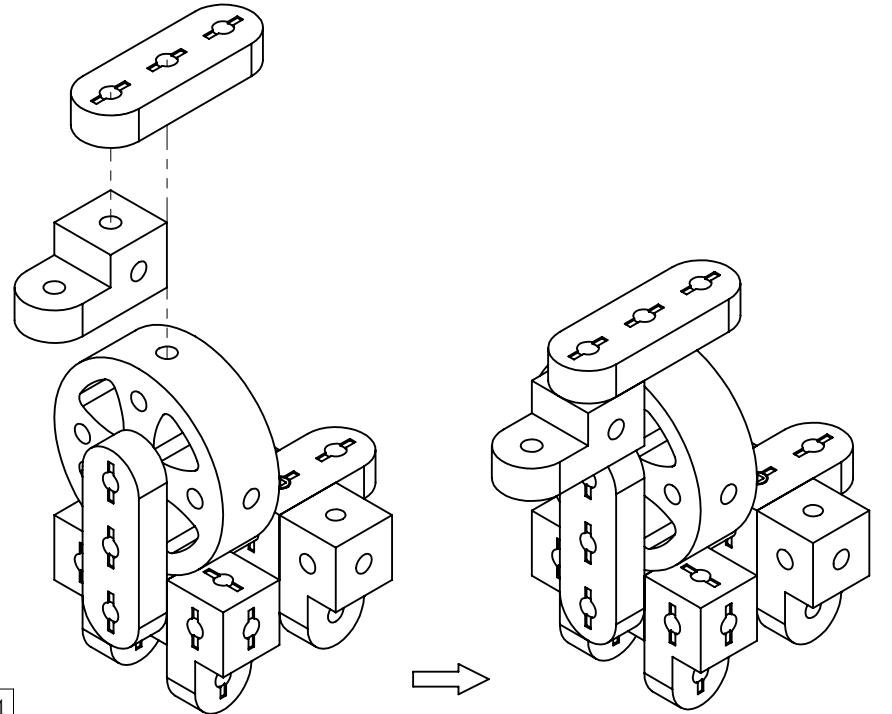
01



03



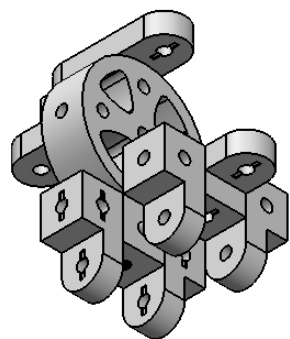
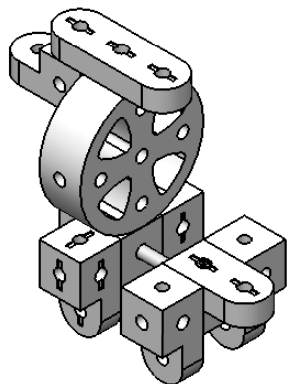
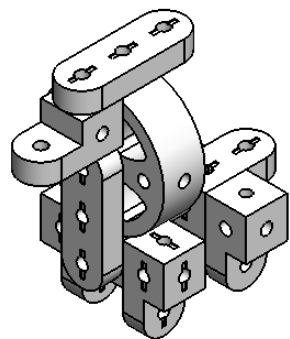
02



04

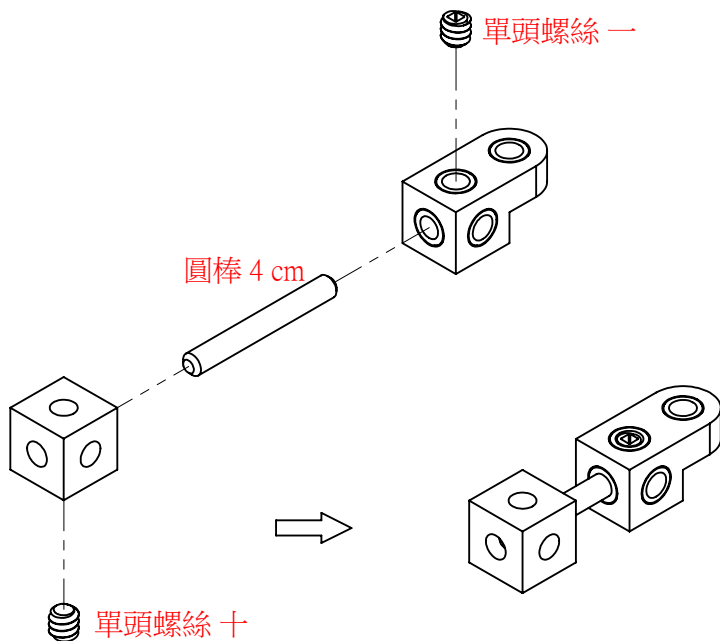


II

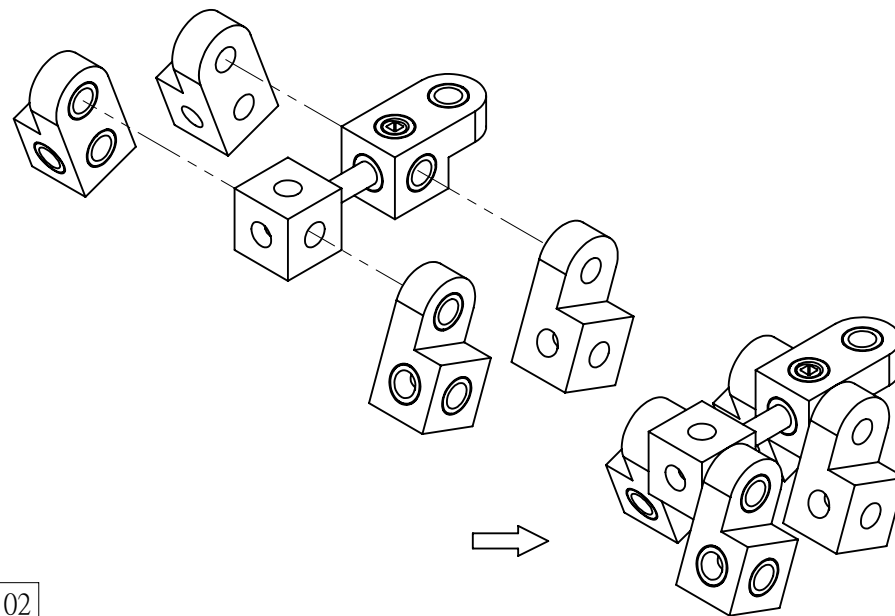


01

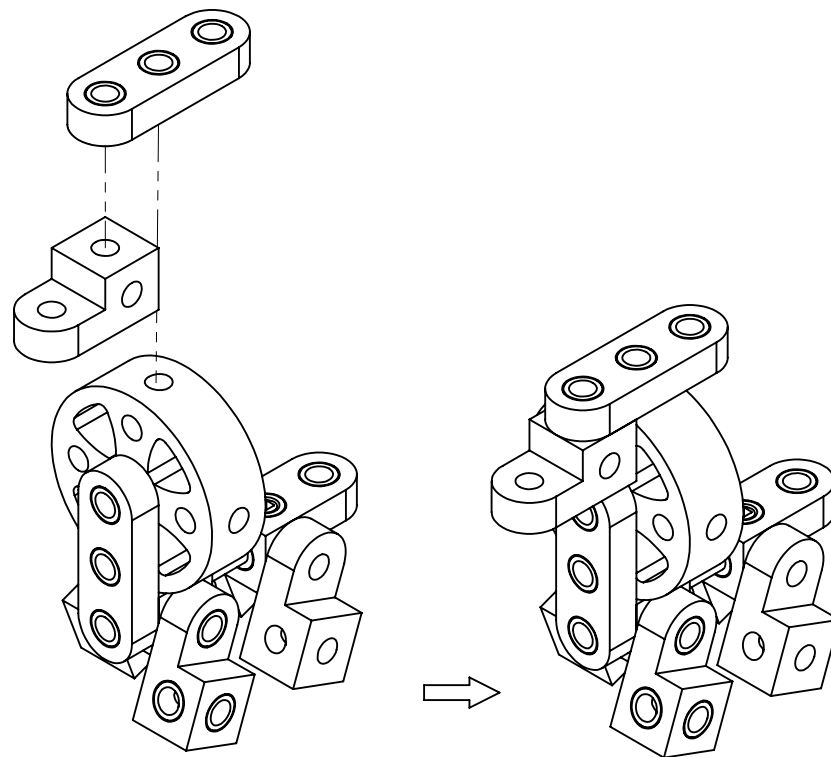
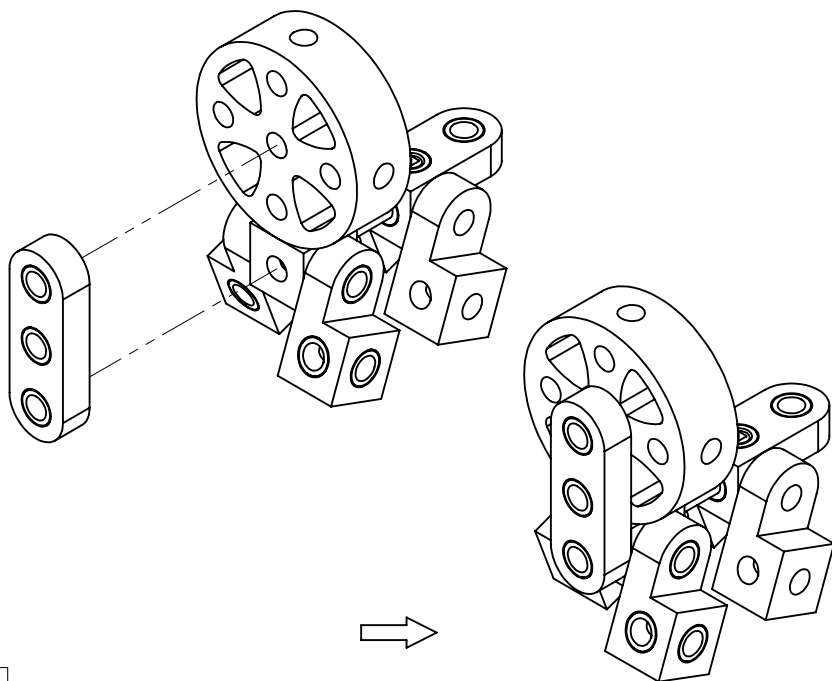
03



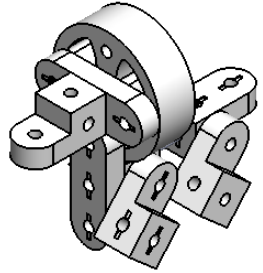
02



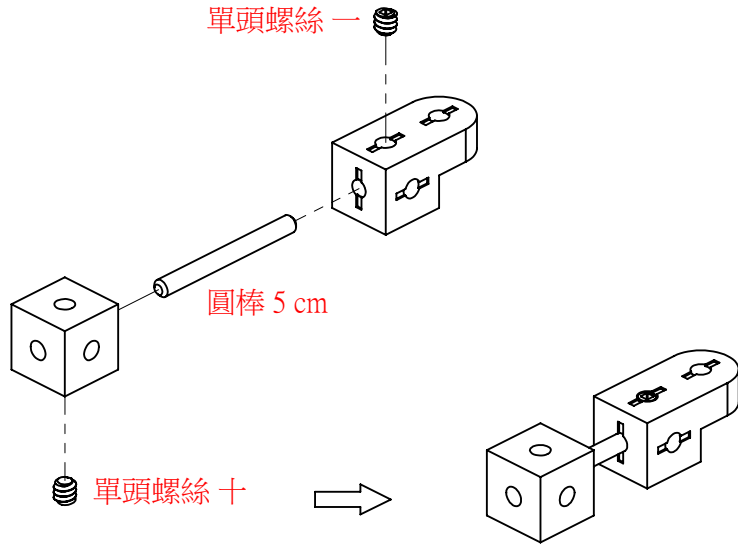
04



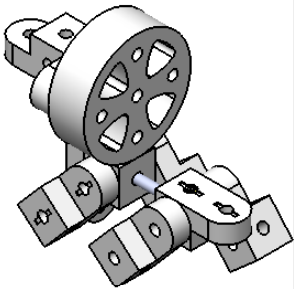
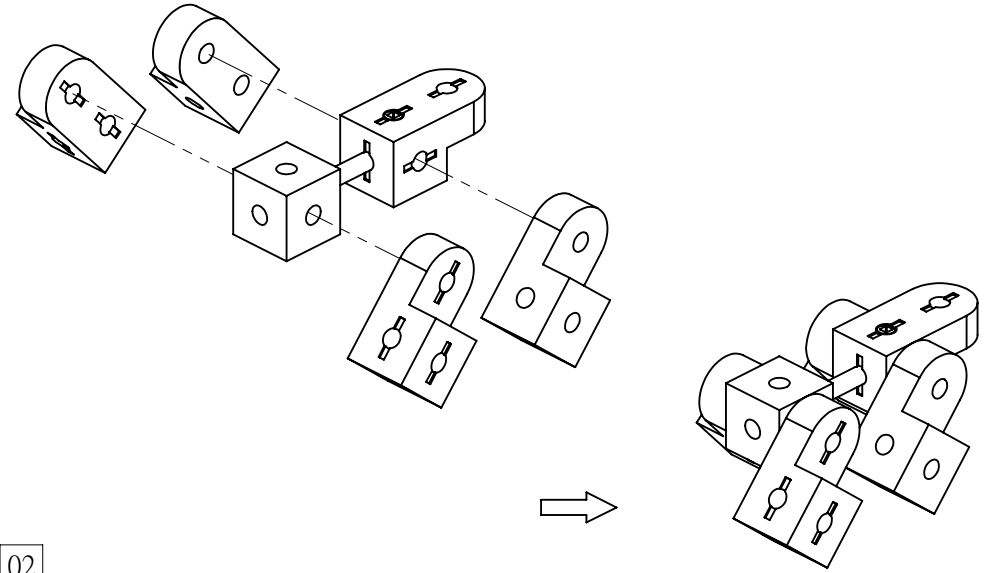
III



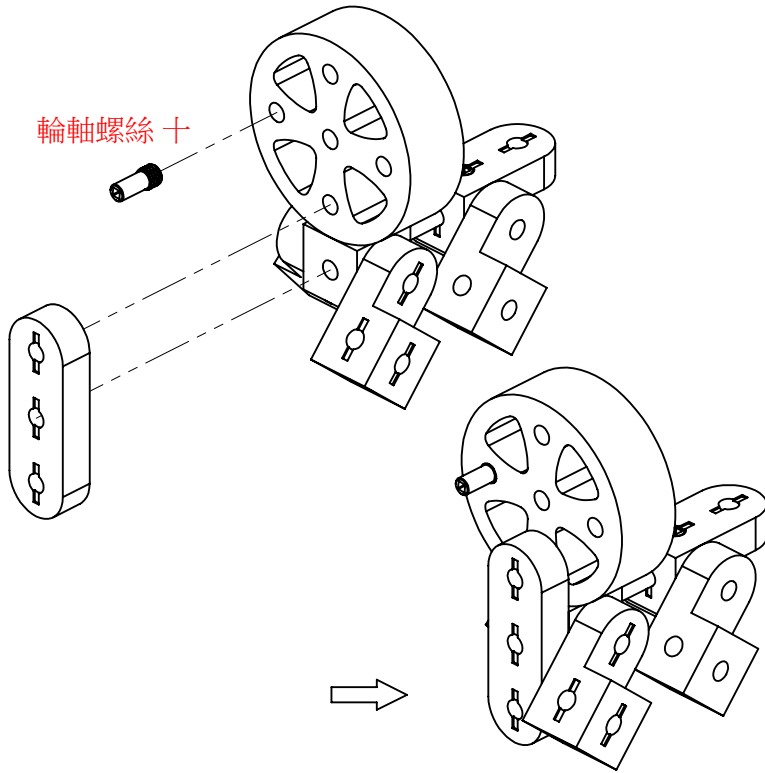
01



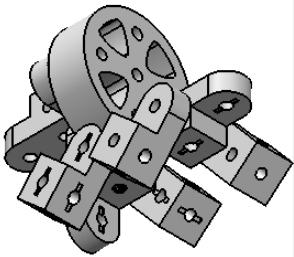
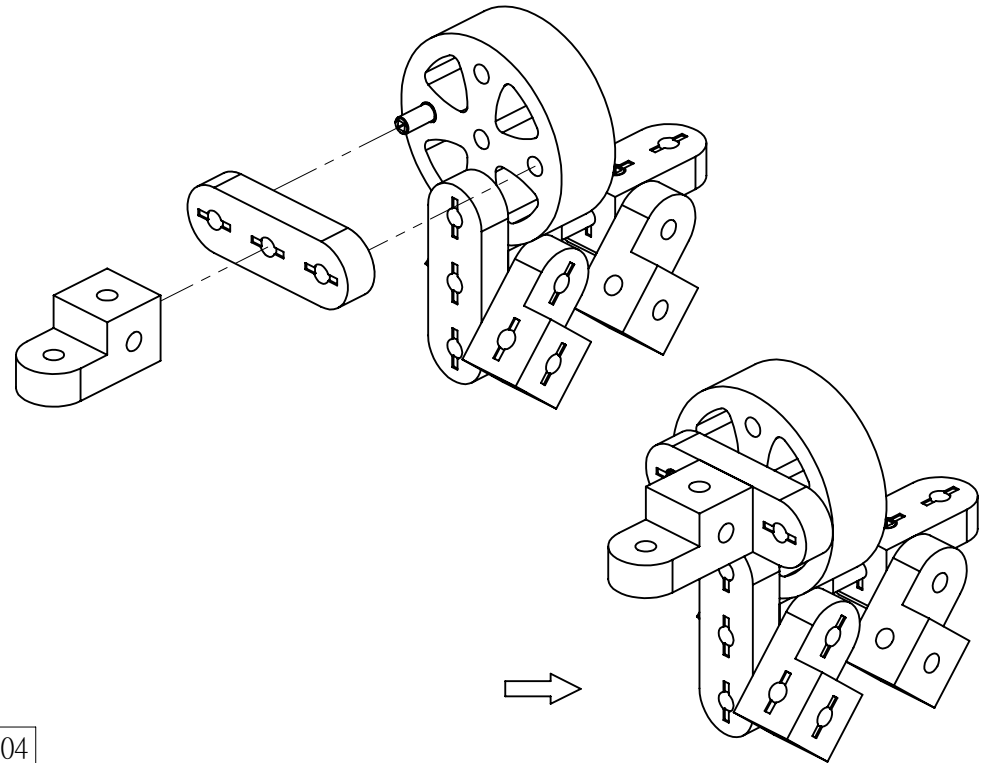
02



03

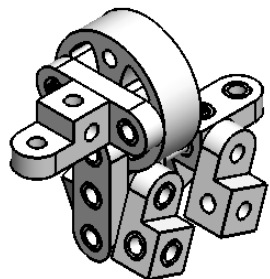


04

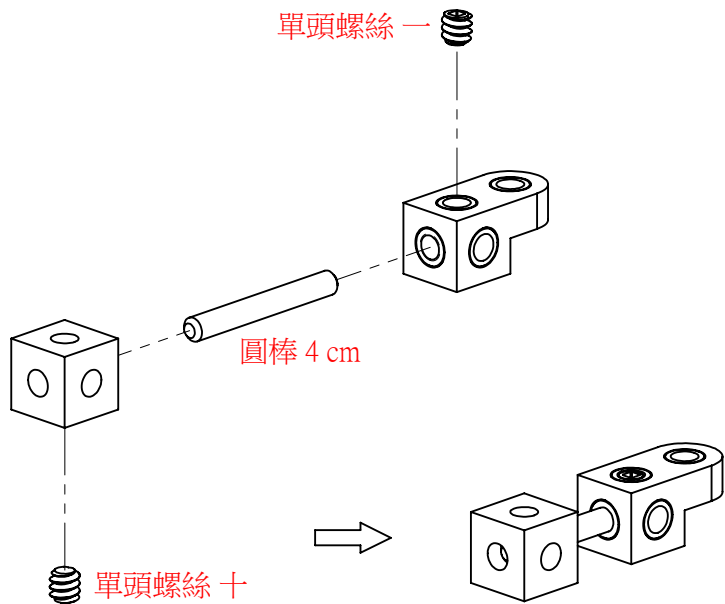




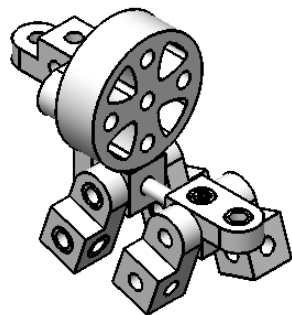
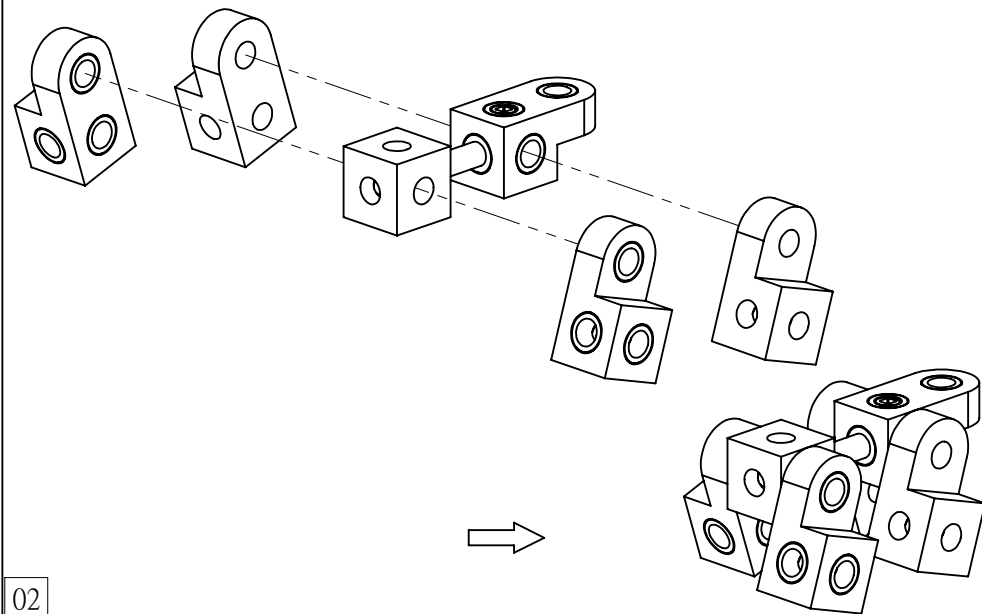
IV



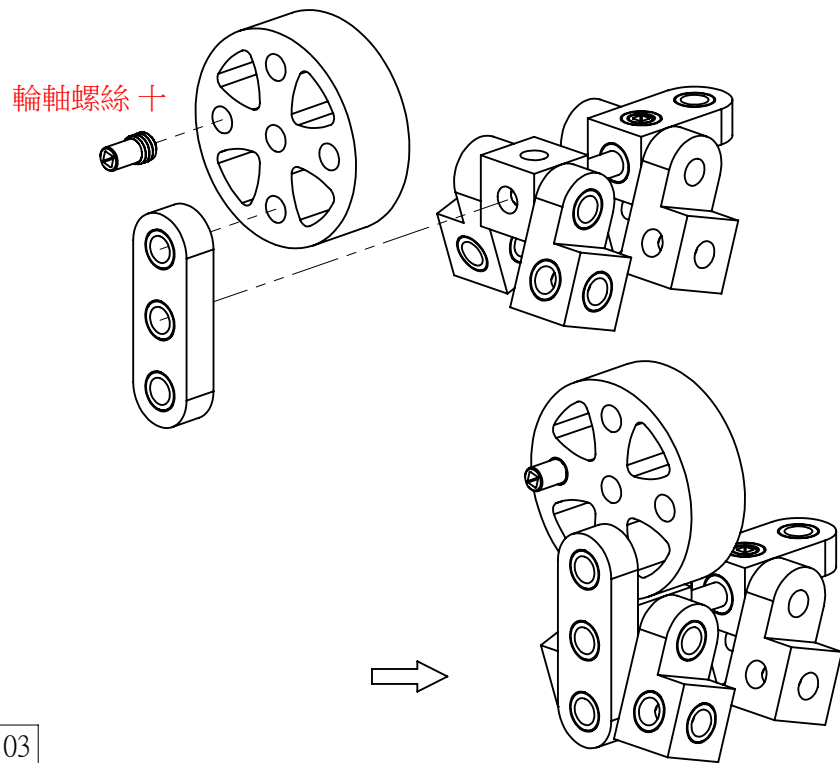
01



02



03



04

