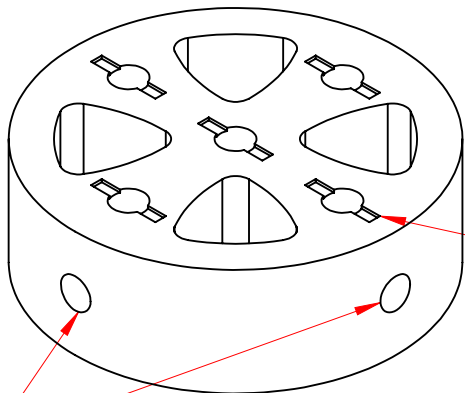
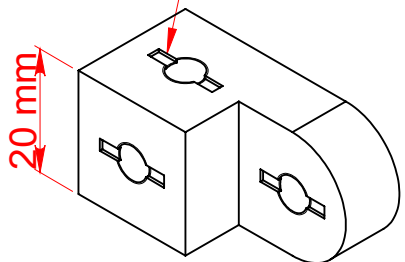


I

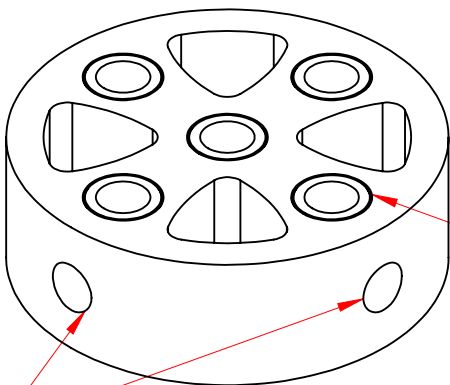


負牙標記
"- " block
if any of
the threaded
hole has a
"- " mark

有側孔
With side hole

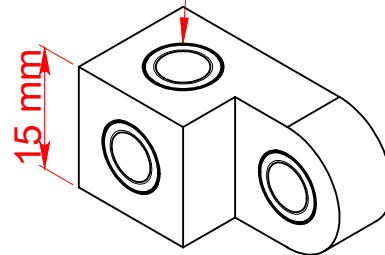


II

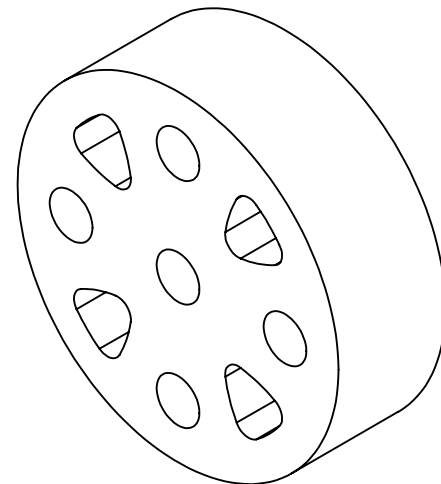


負牙標記
"- " block
A circular
ring outside
each threaded
hole

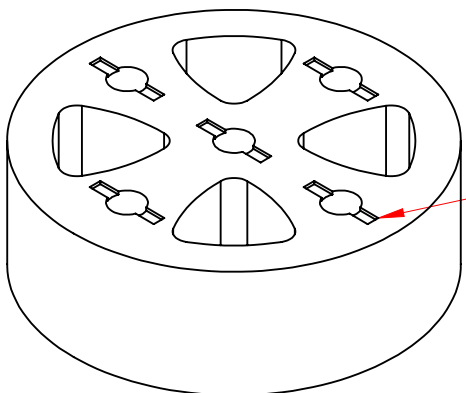
有側孔
With side hole



V

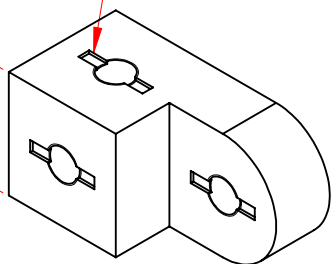


III

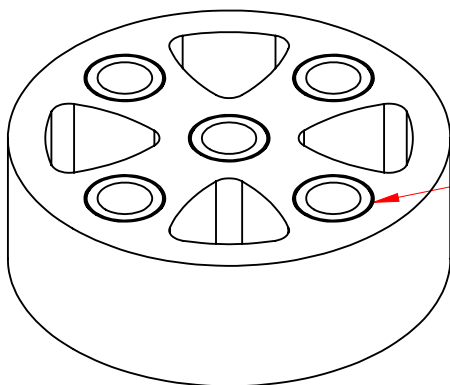


負牙標記
"- " block
if any of
the threaded
hole has a
"- " mark

20 mm

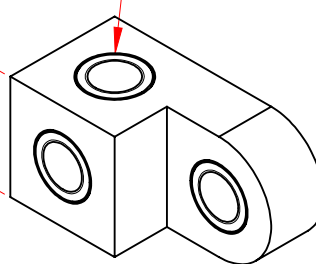


IV

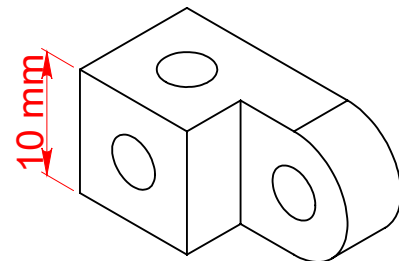


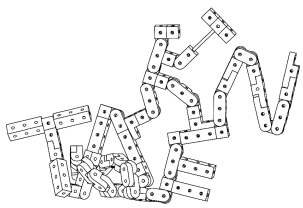
負牙標記
"- " block
A circular
ring outside
each threaded
hole

15 mm

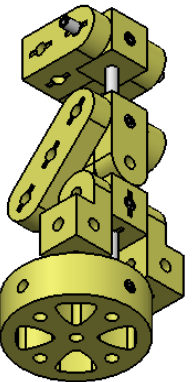
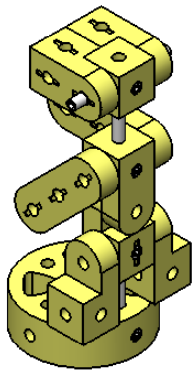
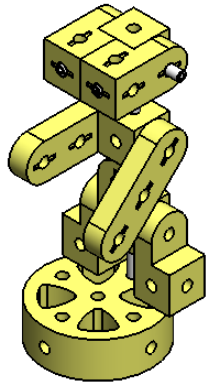


10 mm

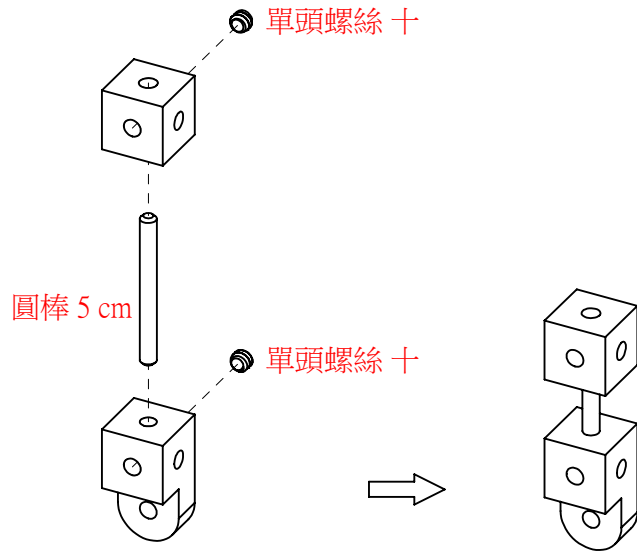




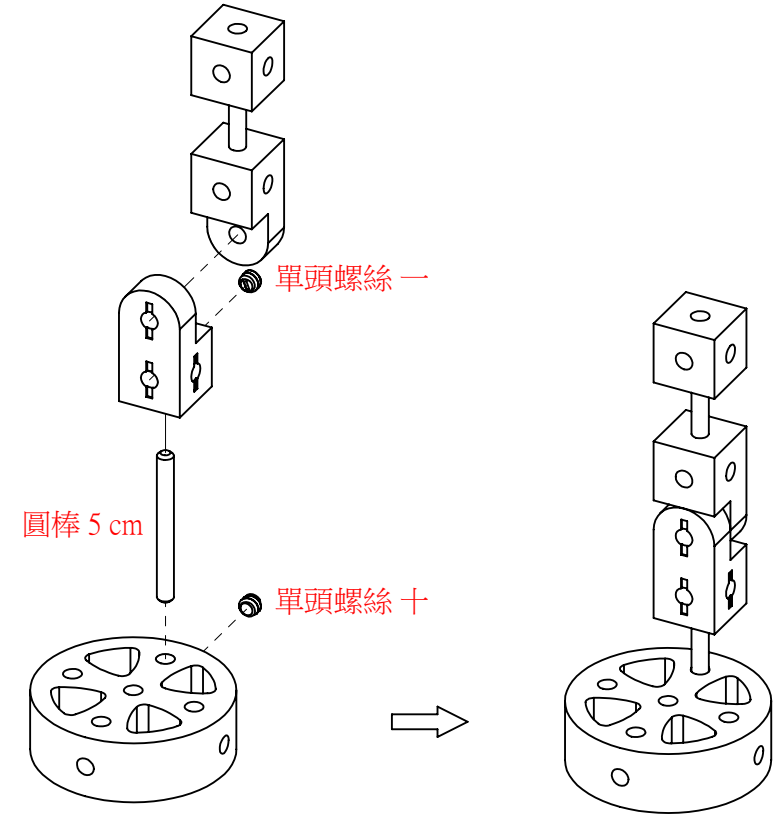
I



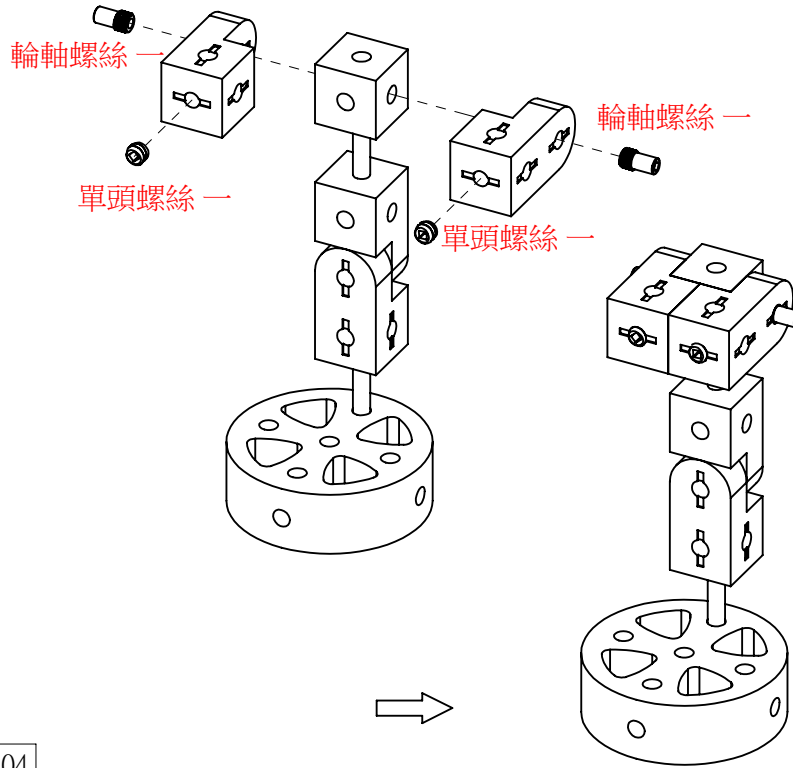
01



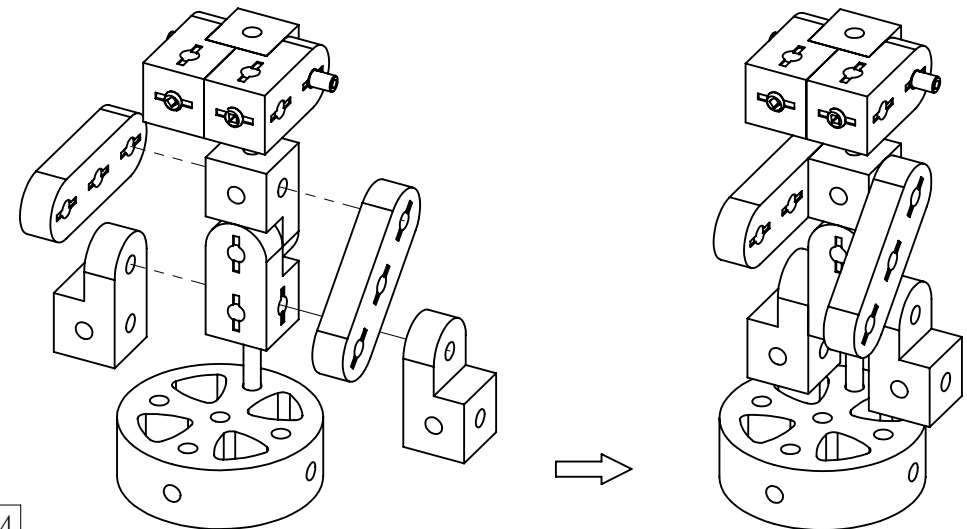
02



04

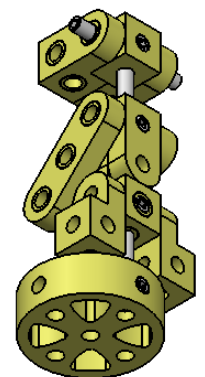
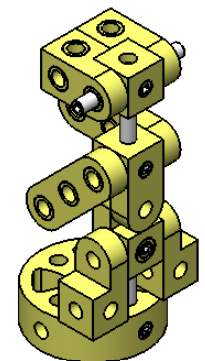
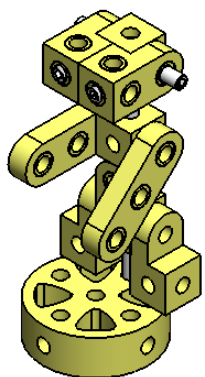


04

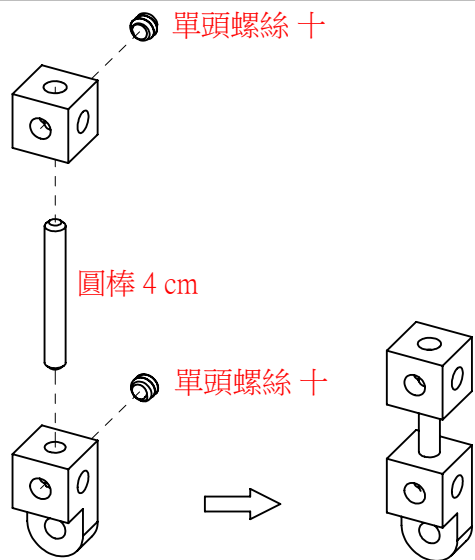




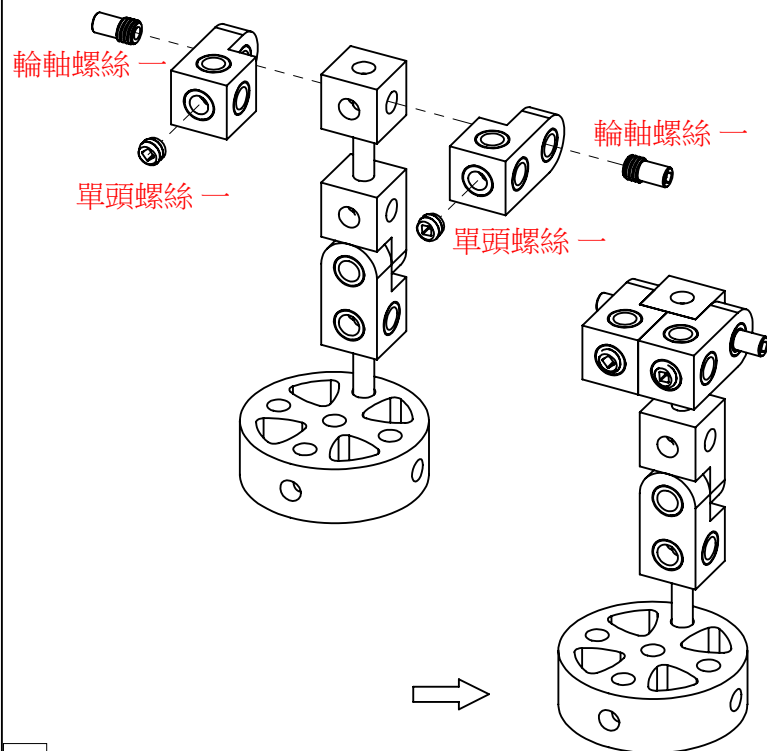
II



01

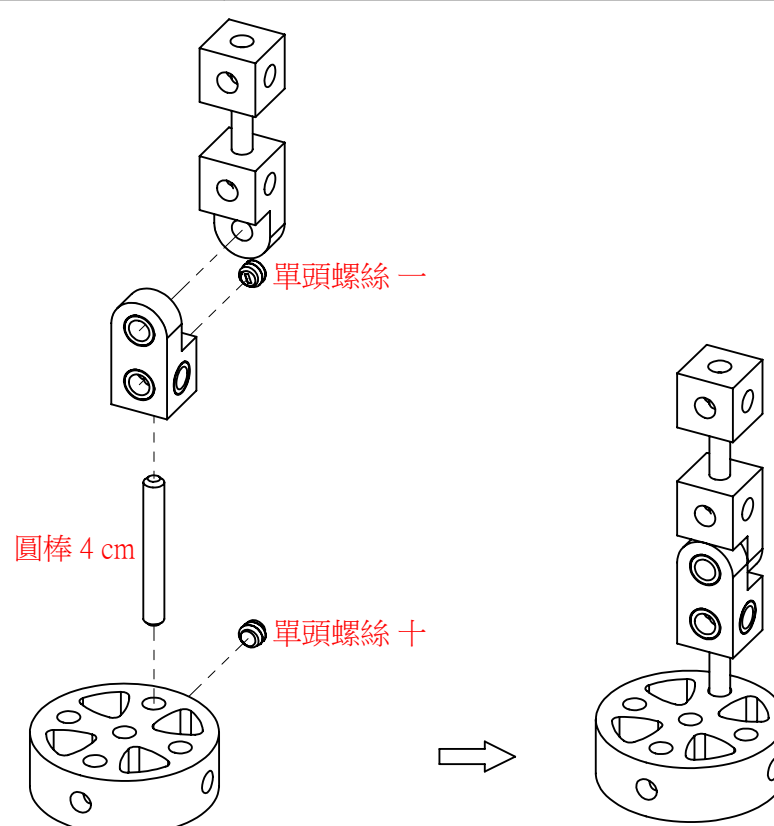


02

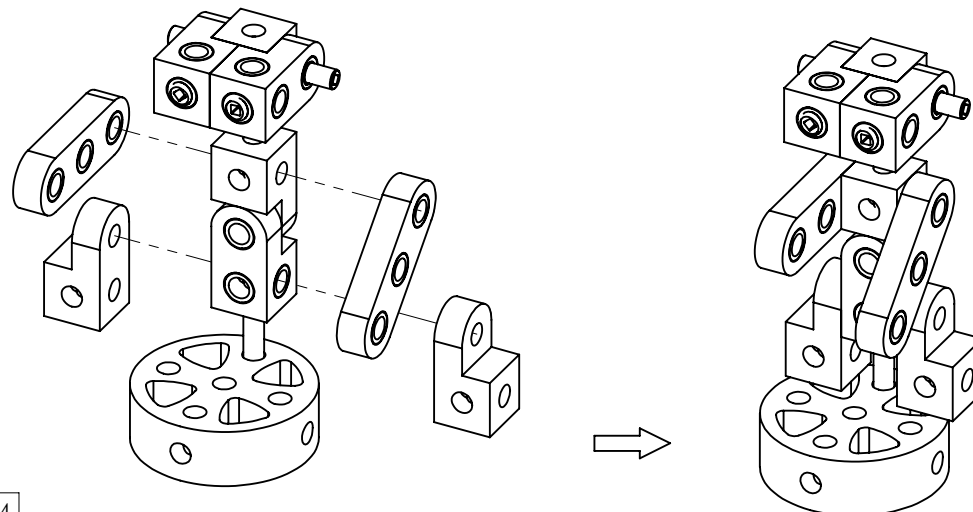


03

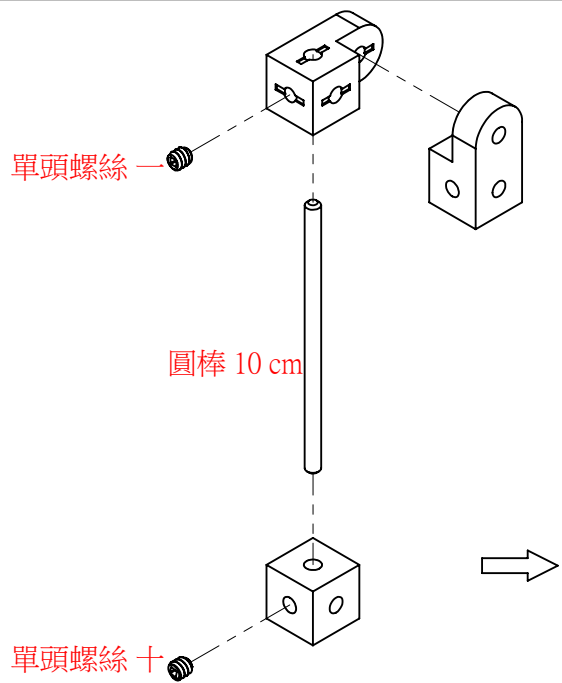
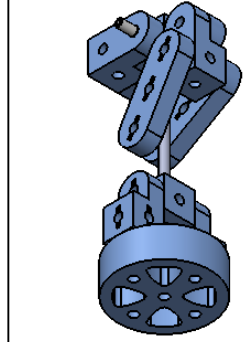
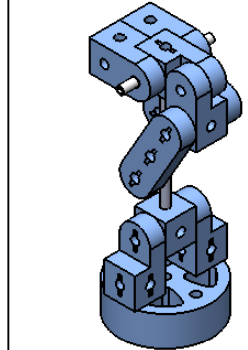
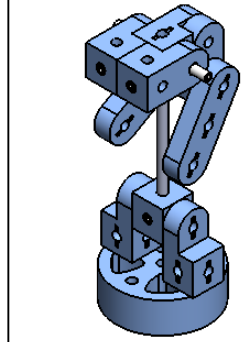
02



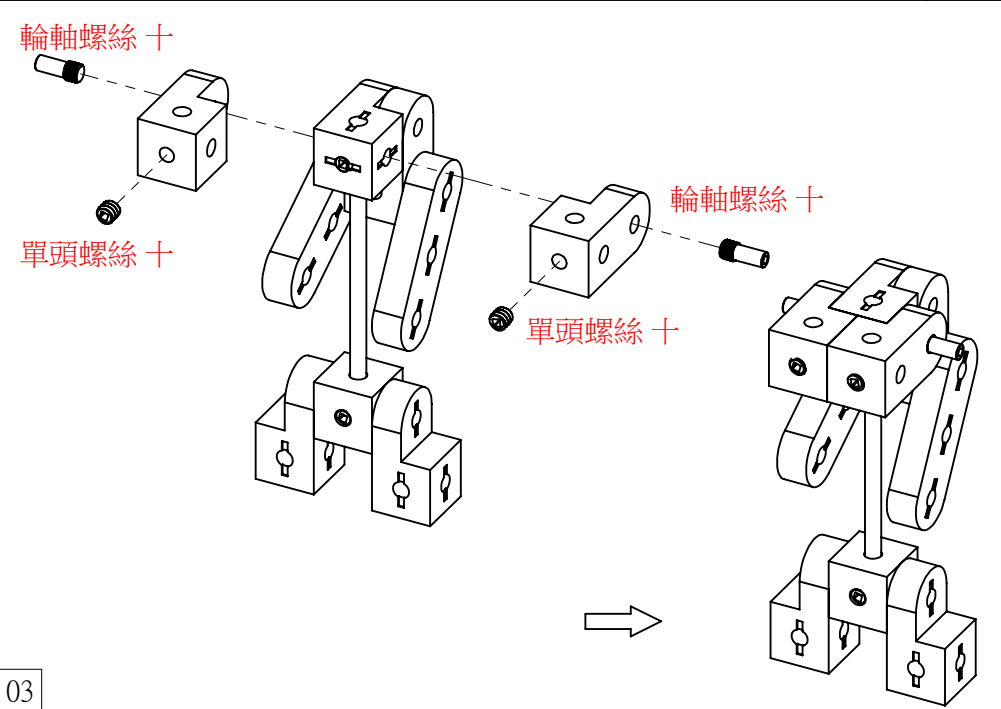
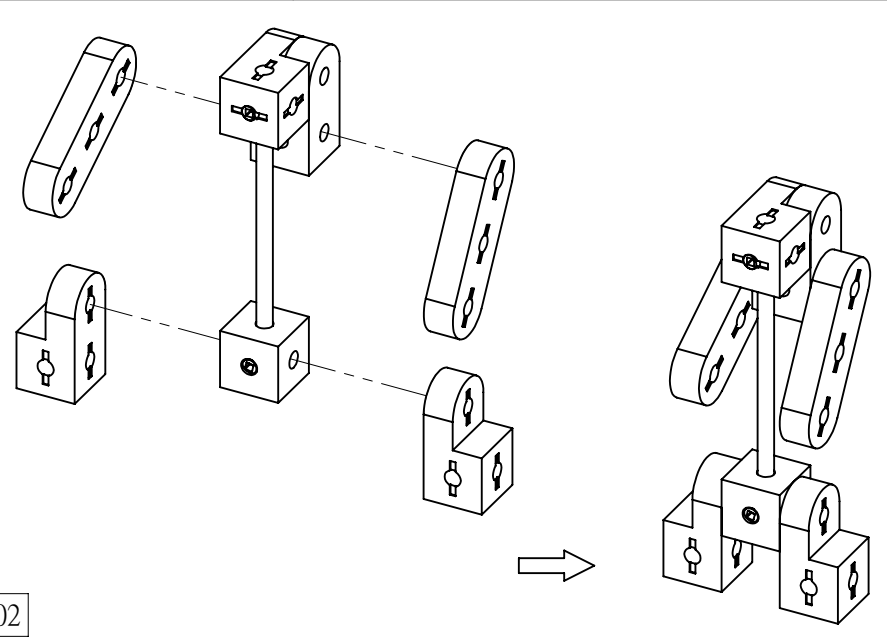
04



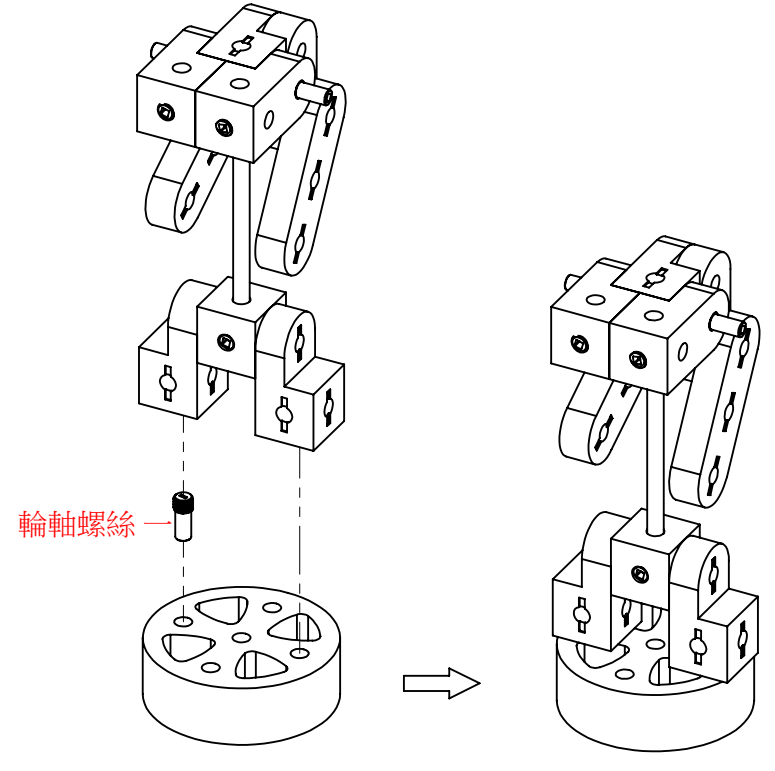
III



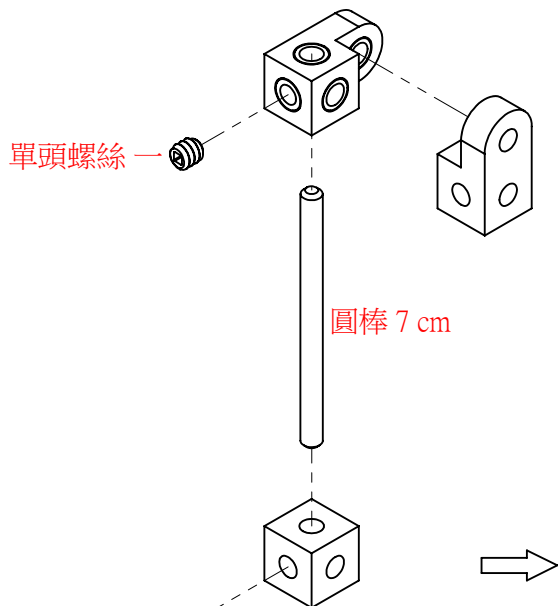
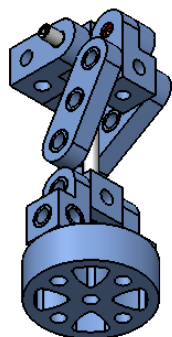
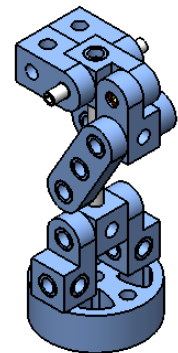
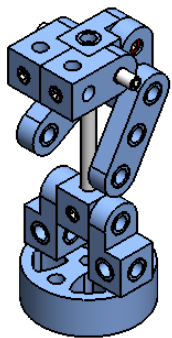
01



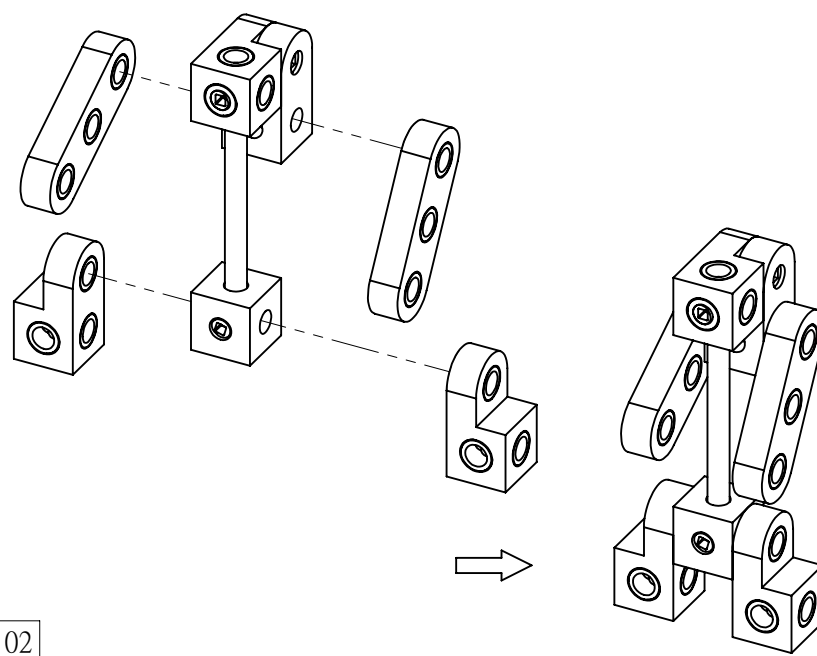
03



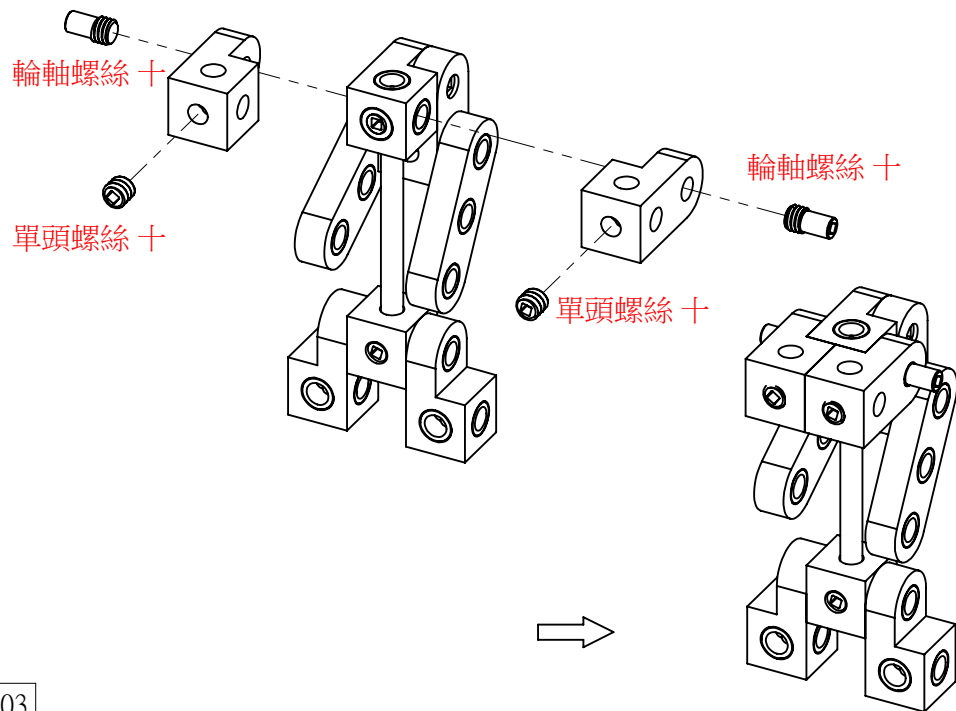
IV



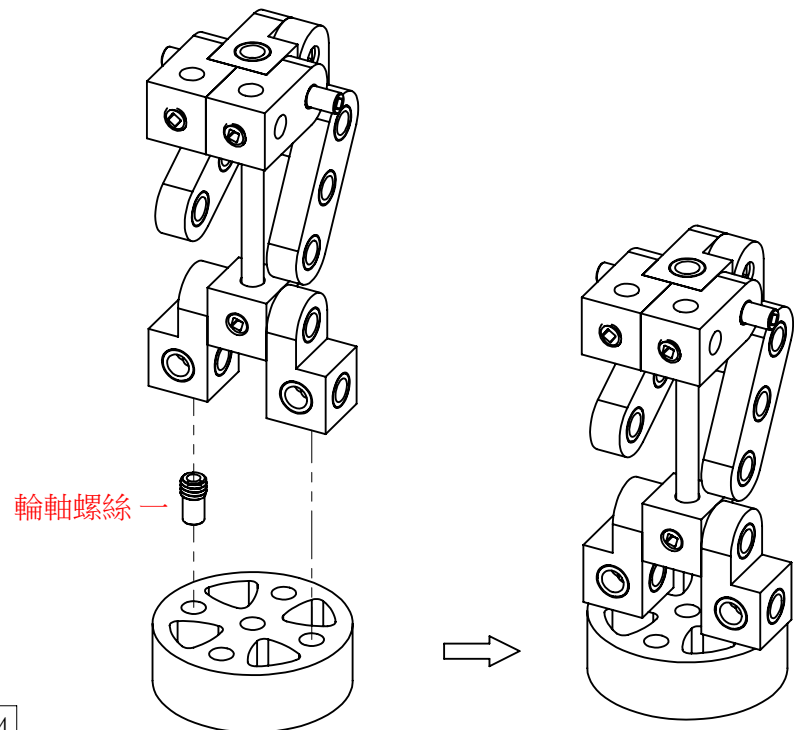
01



02



03



04