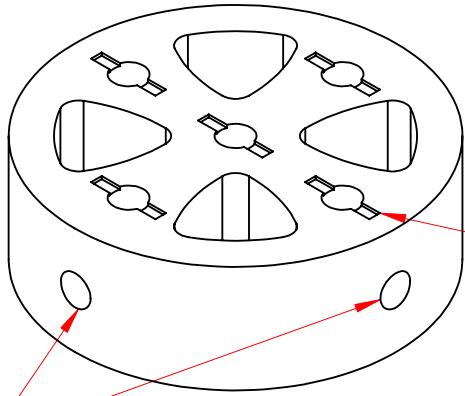


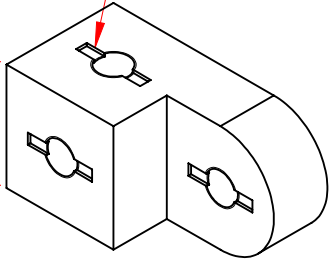
I



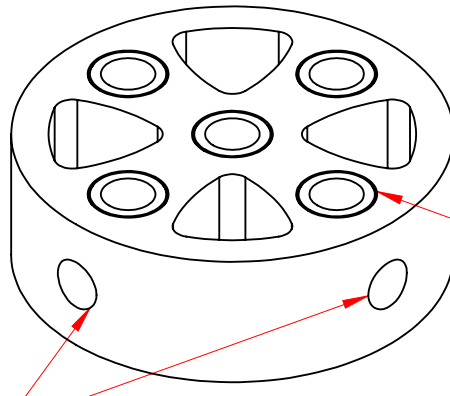
有側孔
With side hole

負牙標記
"-\" block
if any of
the threaded
hole has a
"-\" mark

20 mm



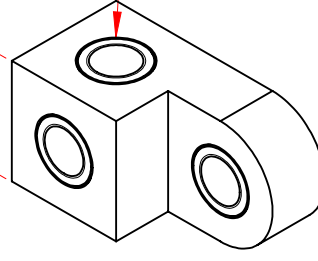
II



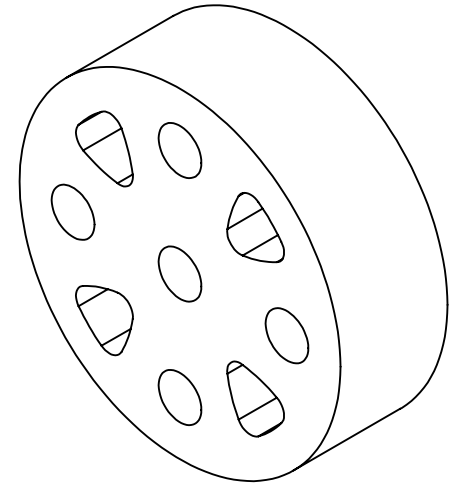
有側孔
With side hole

負牙標記
"-\" block
A circular
ring outside
each threaded
hole

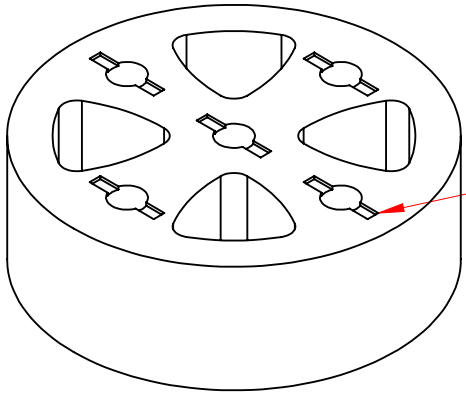
15 mm



V

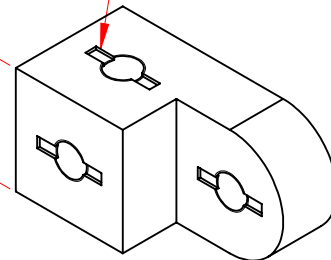


III

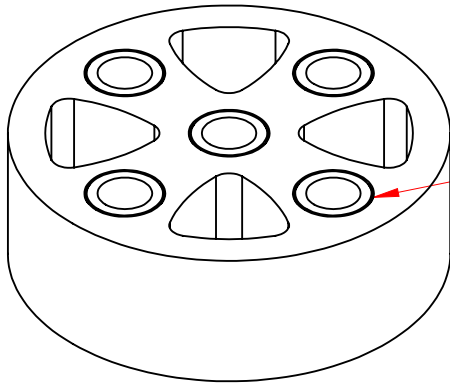


負牙標記
"-\" block
if any of
the threaded
hole has a
"-\" mark

20 mm

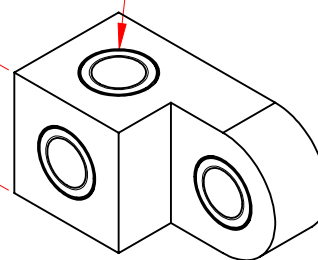


IV

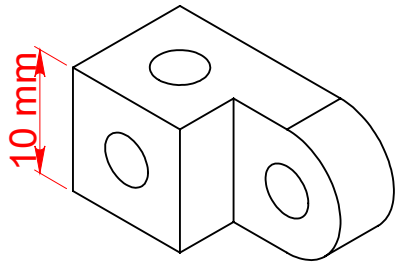


負牙標記
"-\" block
A circular
ring outside
each threaded
hole

15 mm

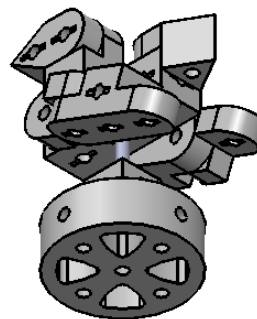
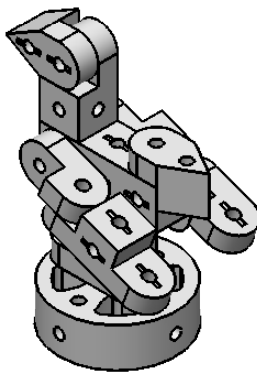
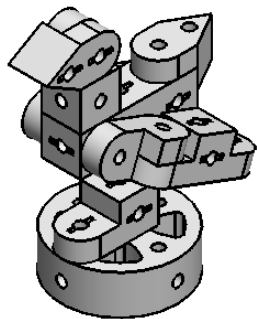


10 mm



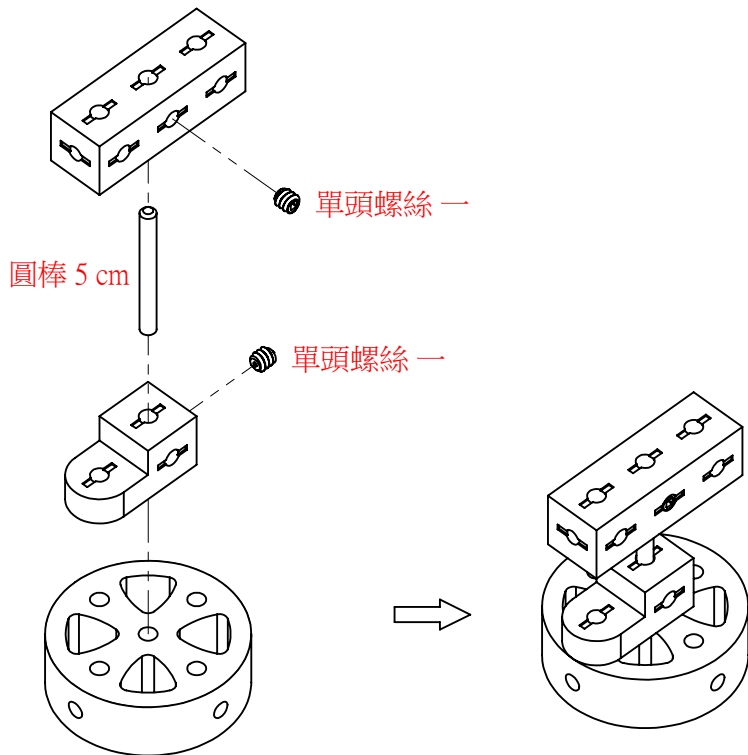


I



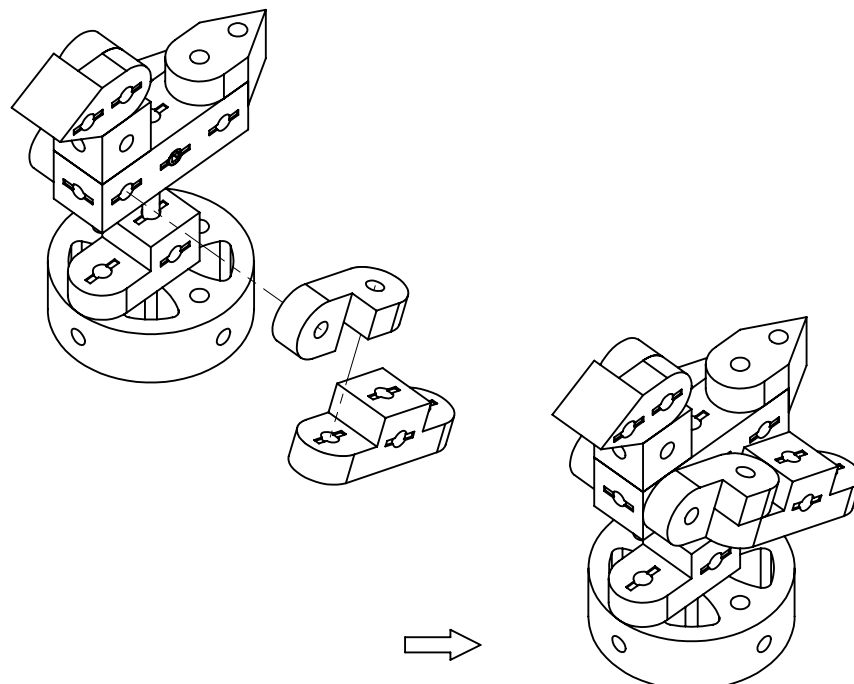
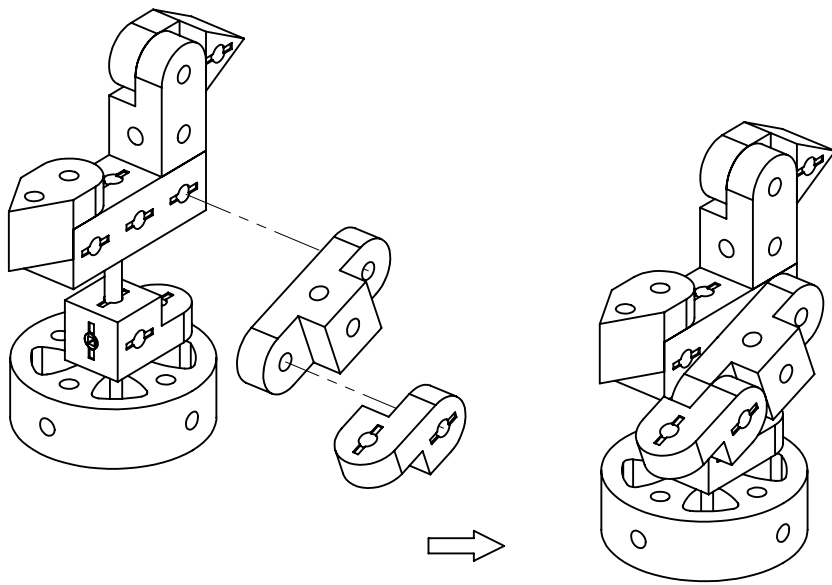
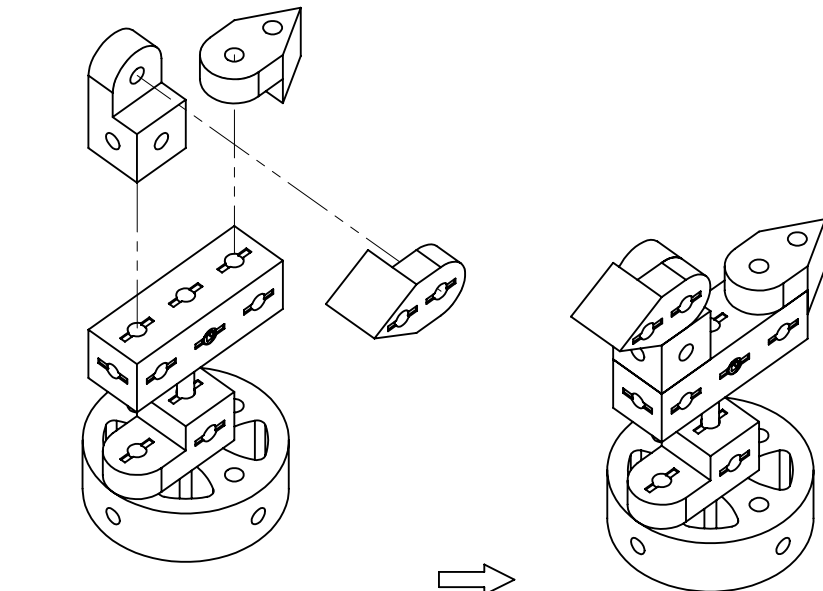
01

03

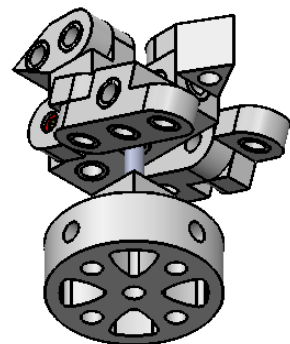
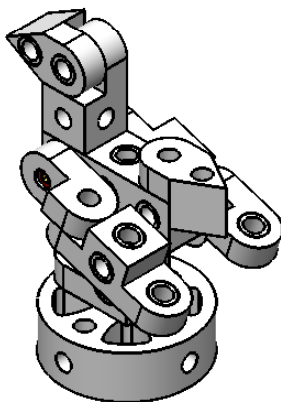
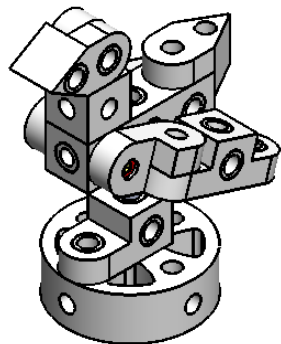


02

04

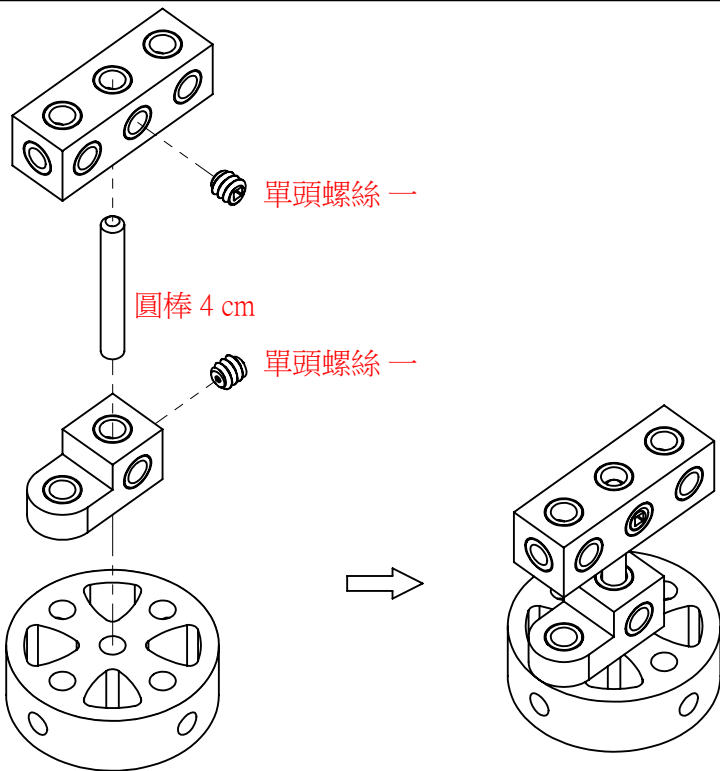


II



01

03

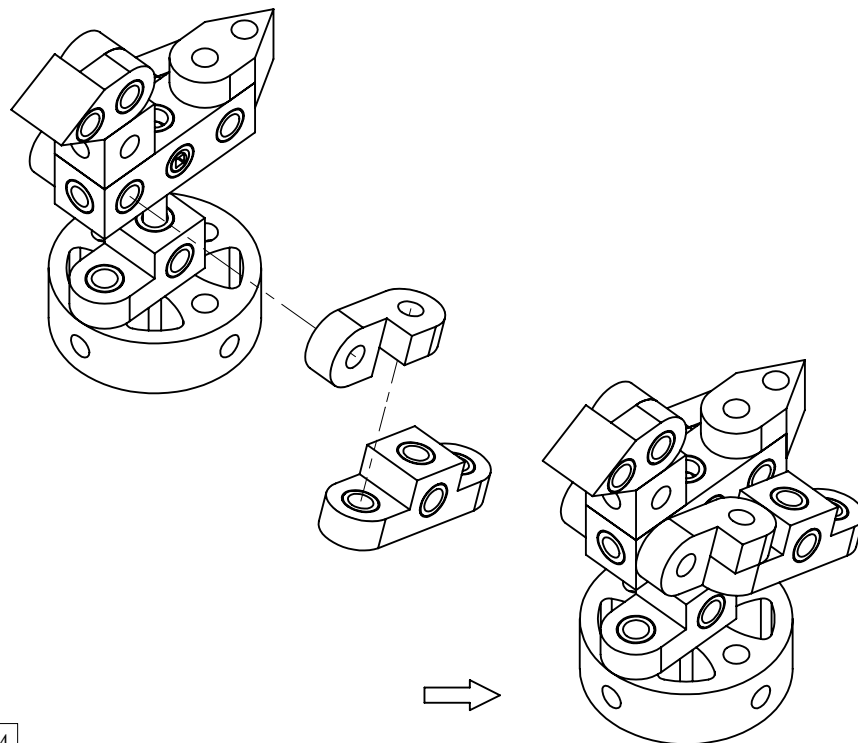


單頭螺絲 一

圓棒 4 cm

單頭螺絲 一

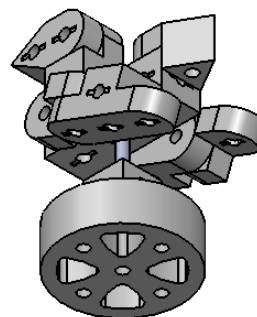
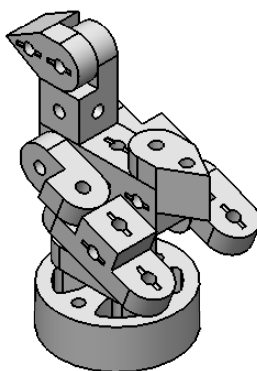
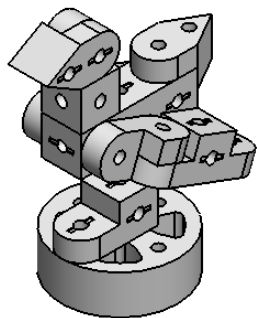
02



04

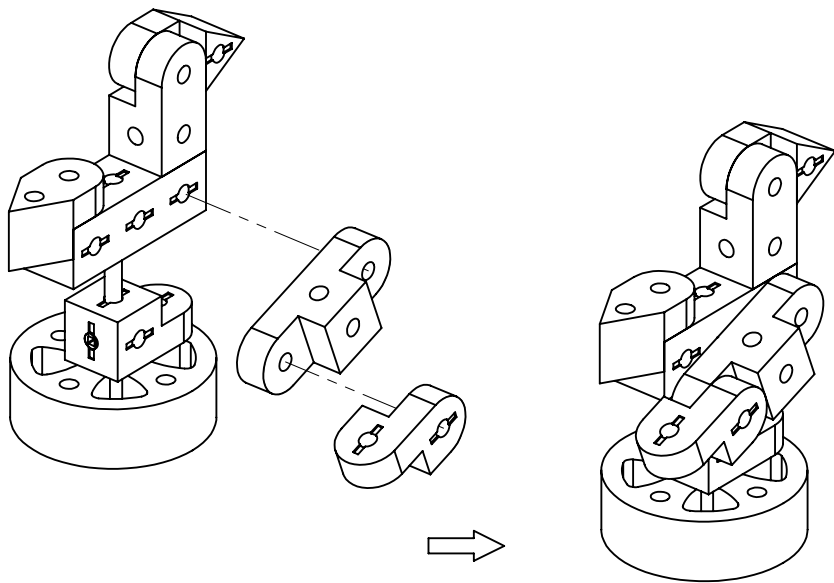
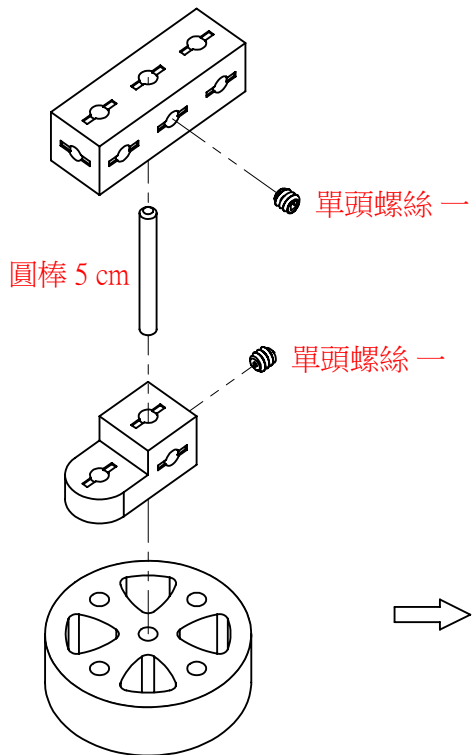


III



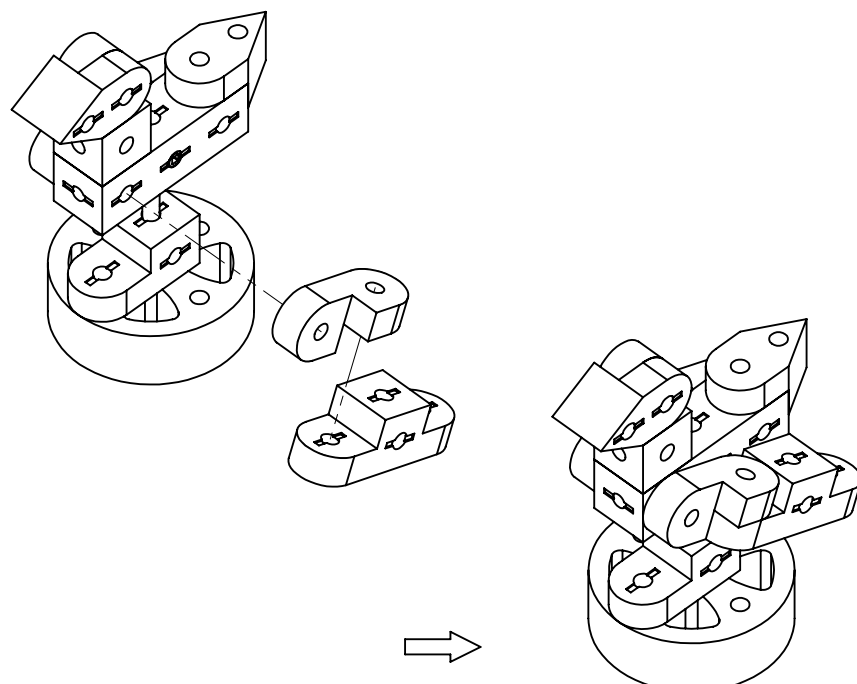
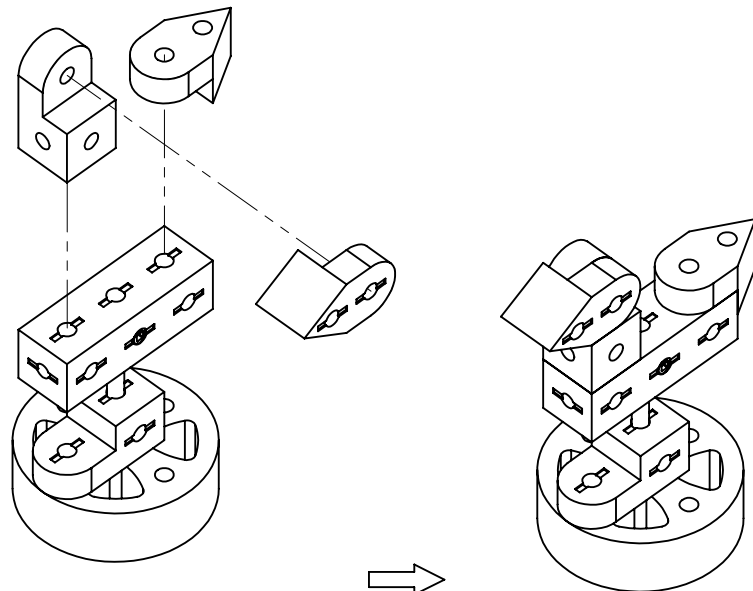
01

03

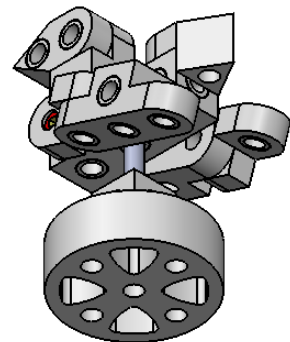
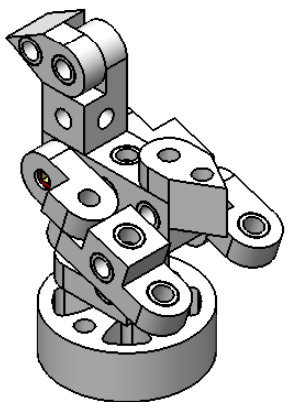
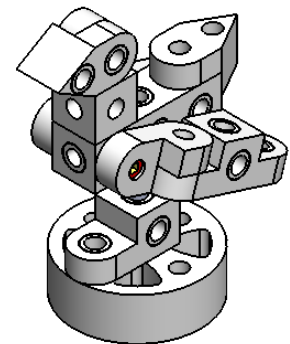


02

04

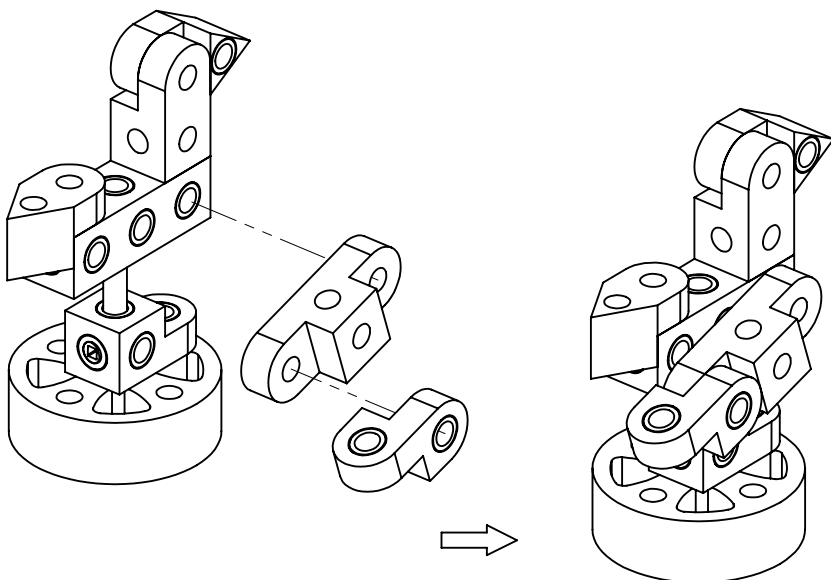
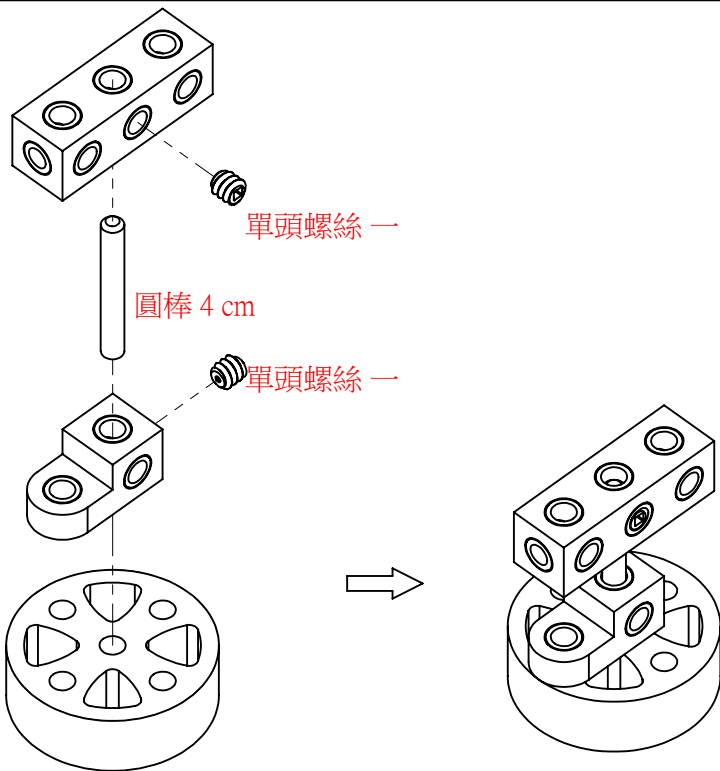


IV



01

03



02

04

