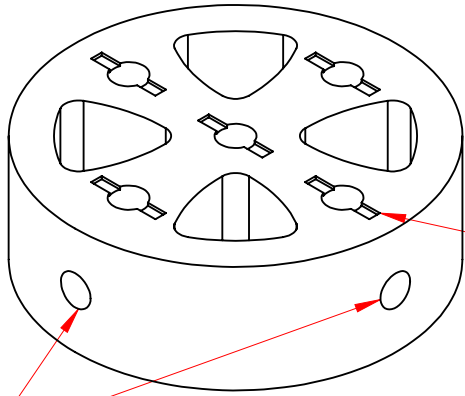
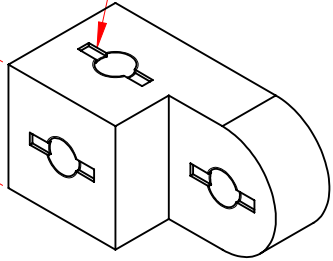


# I



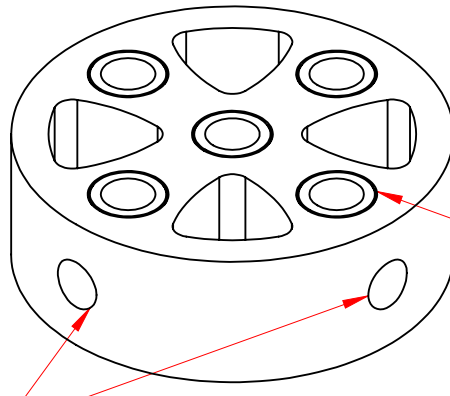
有側孔  
With side hole

20 mm



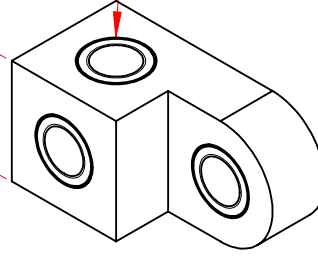
負牙標記  
"- " block  
if any of  
the threaded  
hole has a  
"- " mark

# II



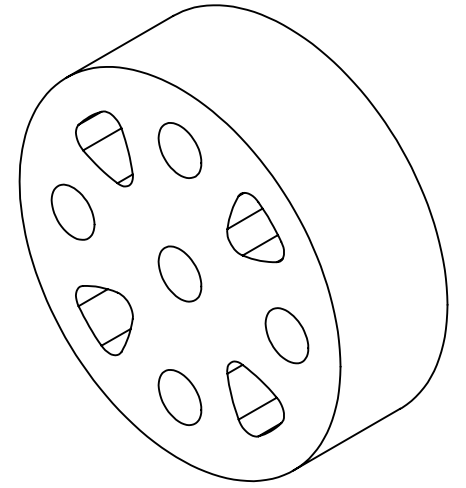
有側孔  
With side hole

15 mm

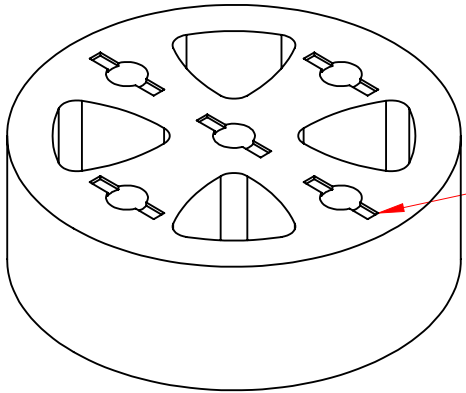


負牙標記  
"- " block  
A circular  
ring outside  
each threaded  
hole

# V

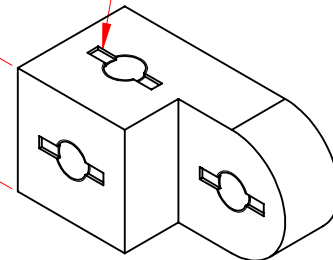


# III

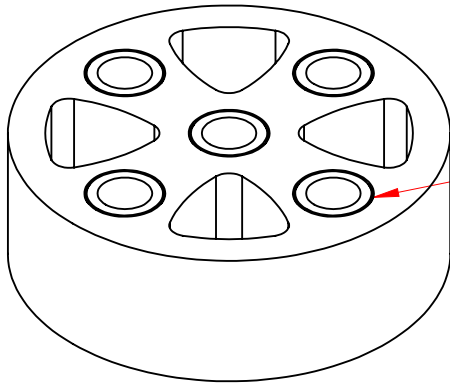


負牙標記  
"- " block  
if any of  
the threaded  
hole has a  
"- " mark

20 mm

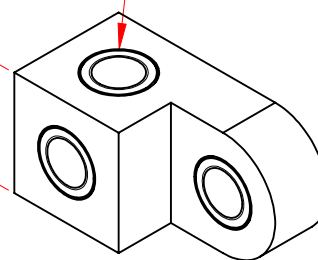


# IV

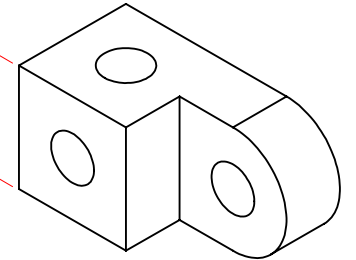


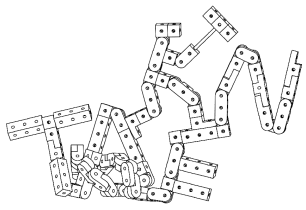
負牙標記  
"- " block  
A circular  
ring outside  
each threaded  
hole

15 mm

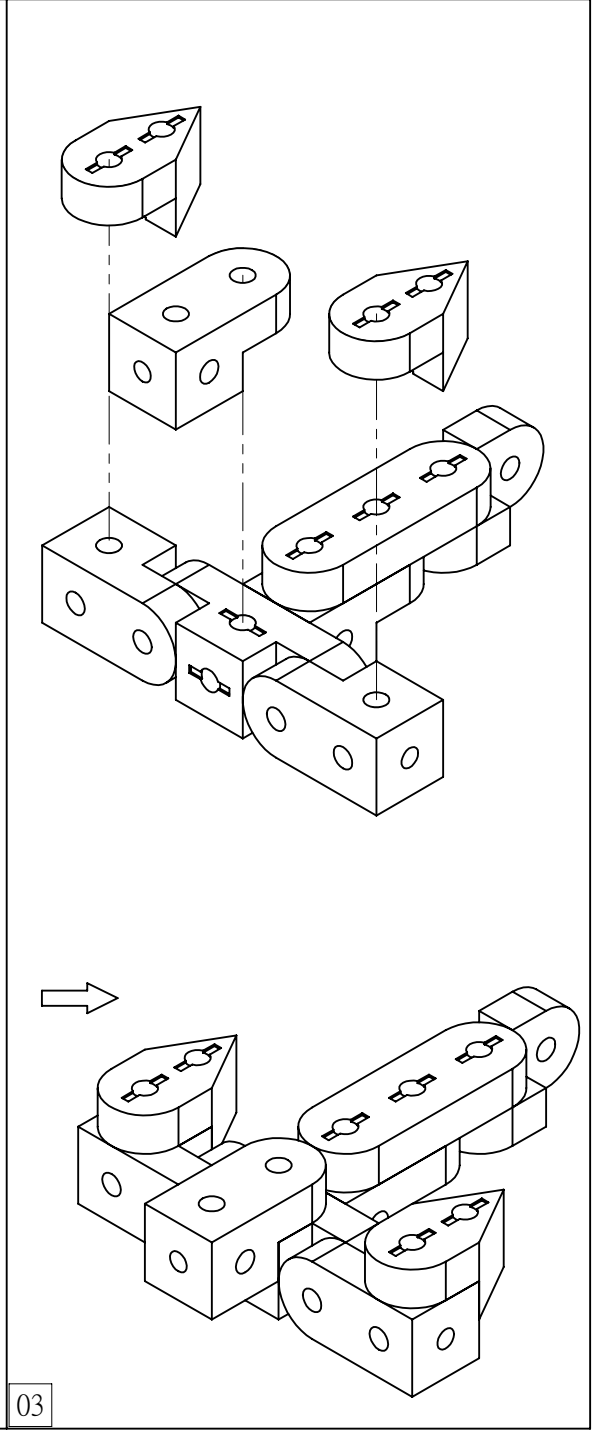
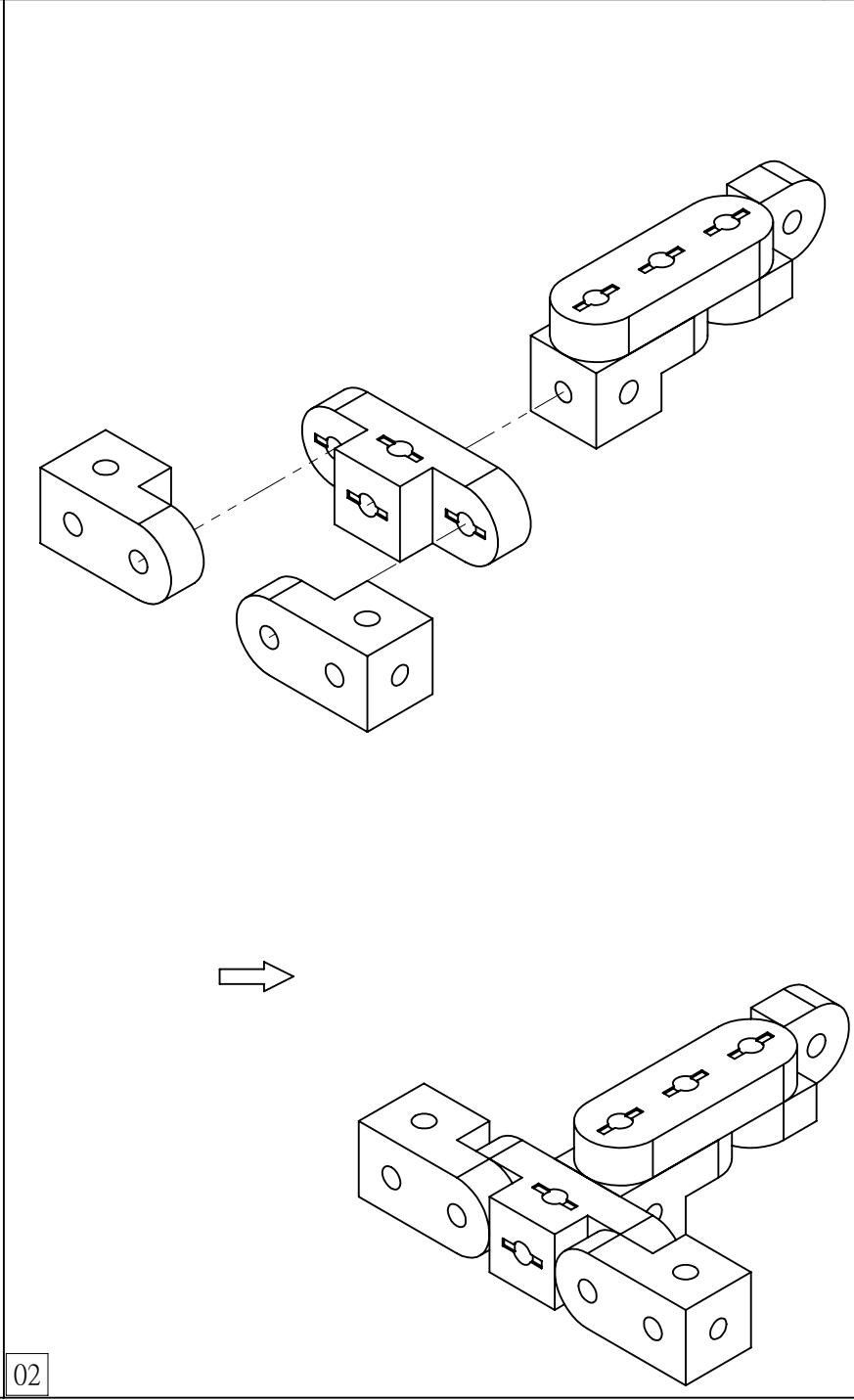
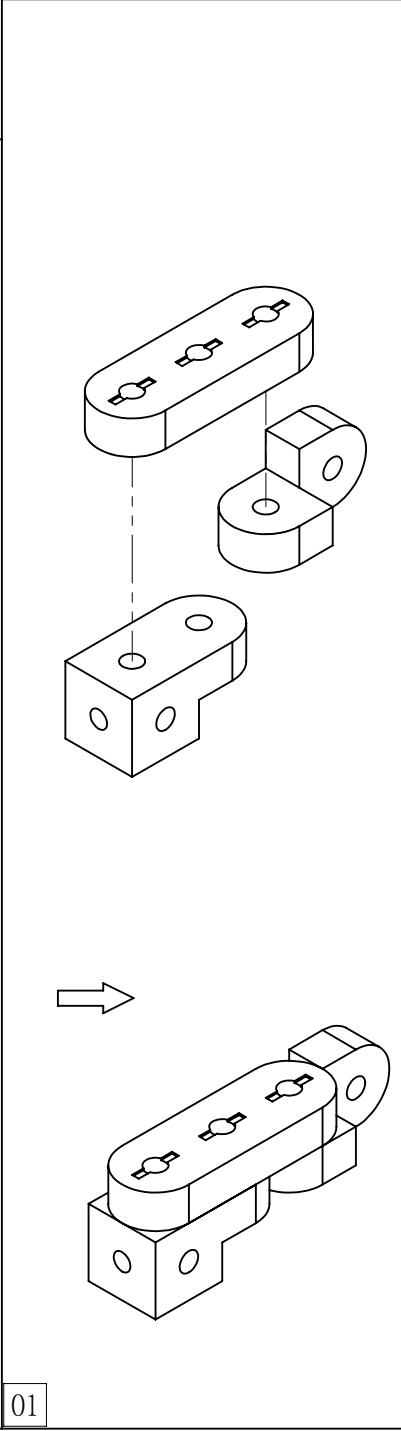
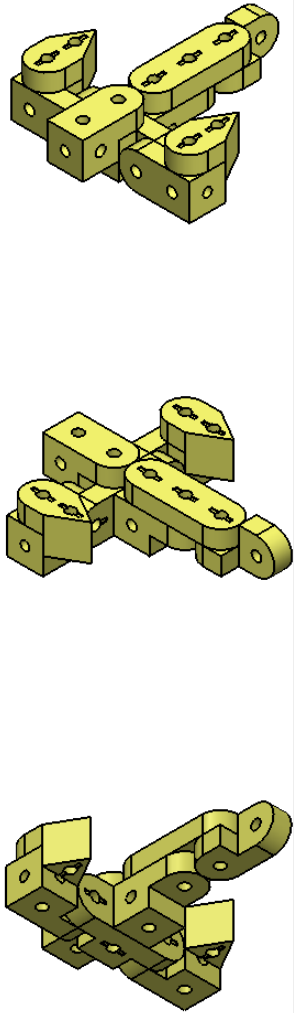


10 mm



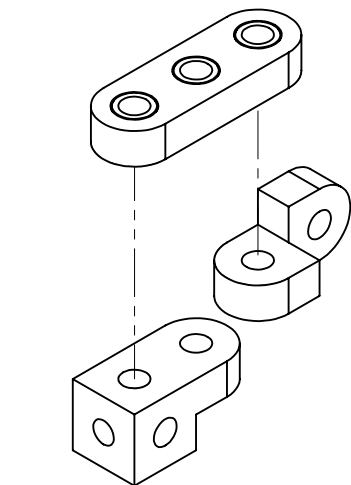
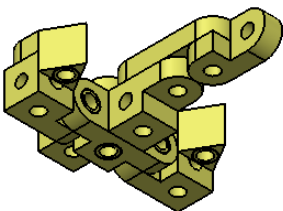
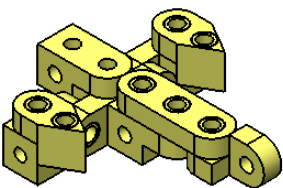
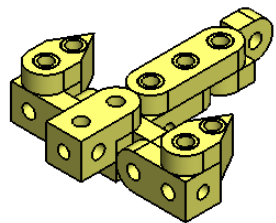


# III

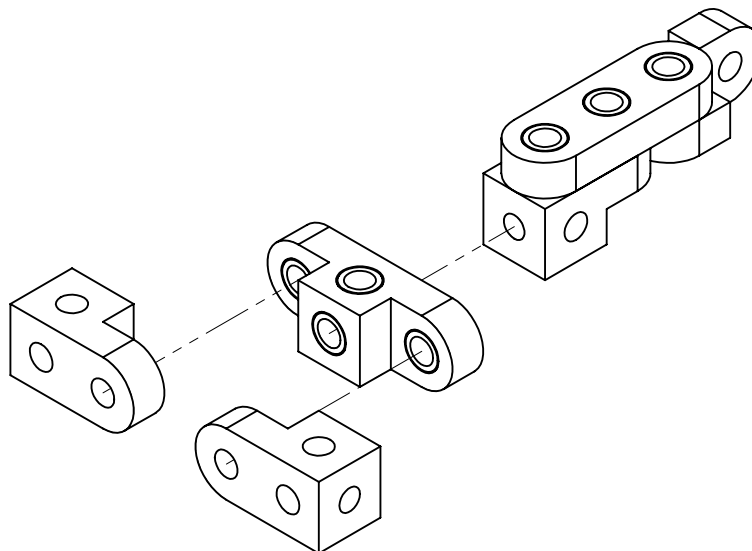




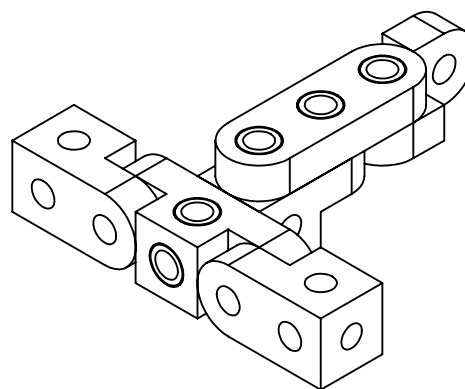
IV



01



02



03

