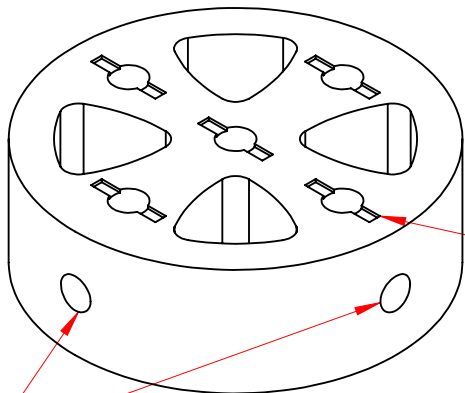
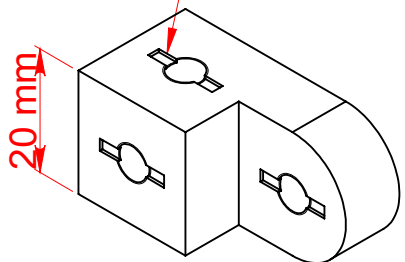


I

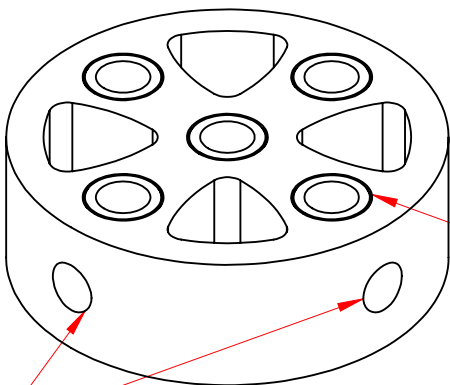


負牙標記
"-" block
if any of
the threaded
hole has a
"-" mark

有側孔
With side hole

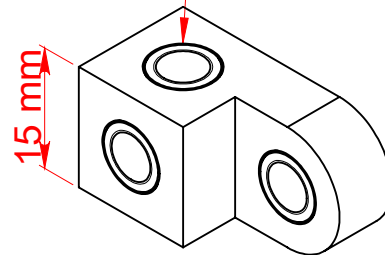


II

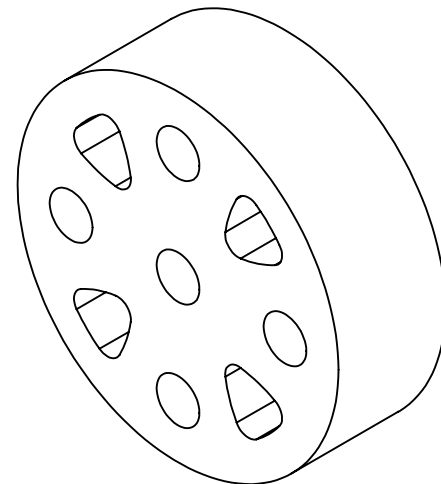


負牙標記
"-" block
A circular
ring outside
each threaded
hole

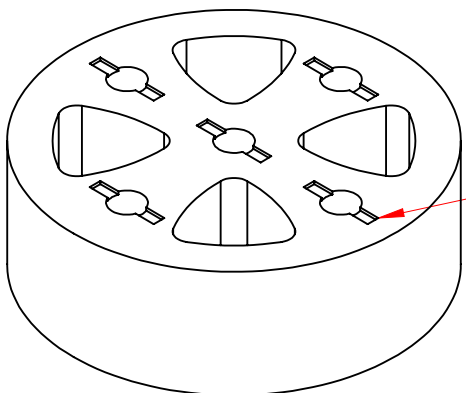
有側孔
With side hole



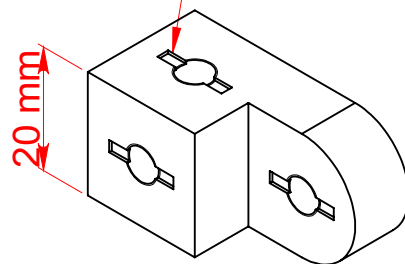
V



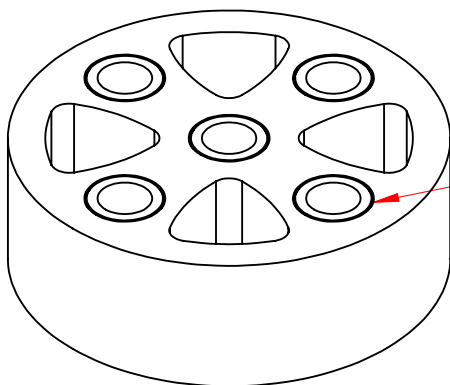
III



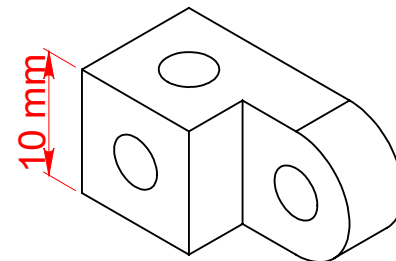
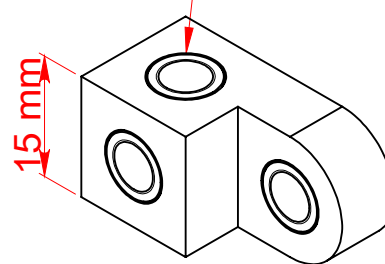
負牙標記
"-" block
if any of
the threaded
hole has a
"-" mark

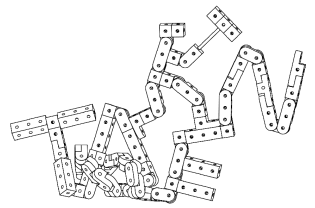


IV

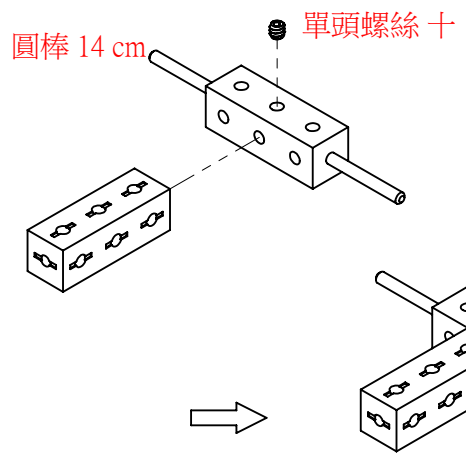


負牙標記
"-" block
A circular
ring outside
each threaded
hole

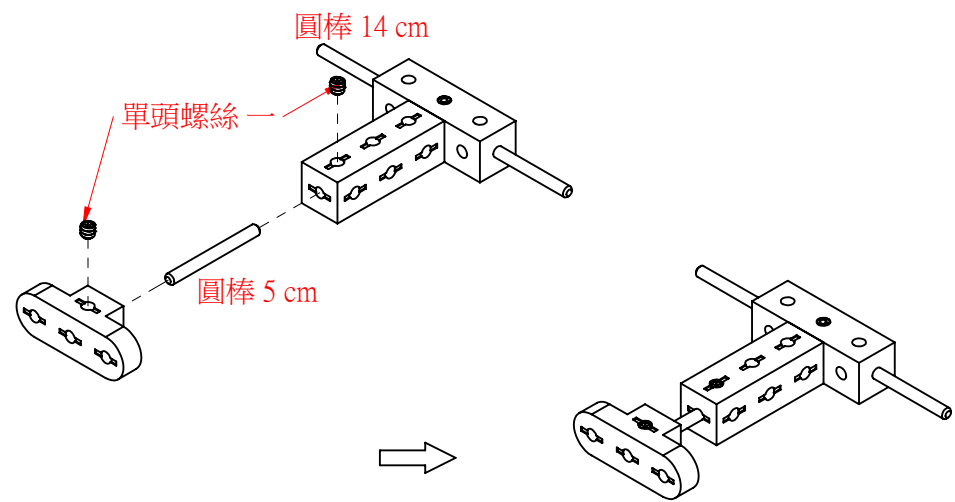




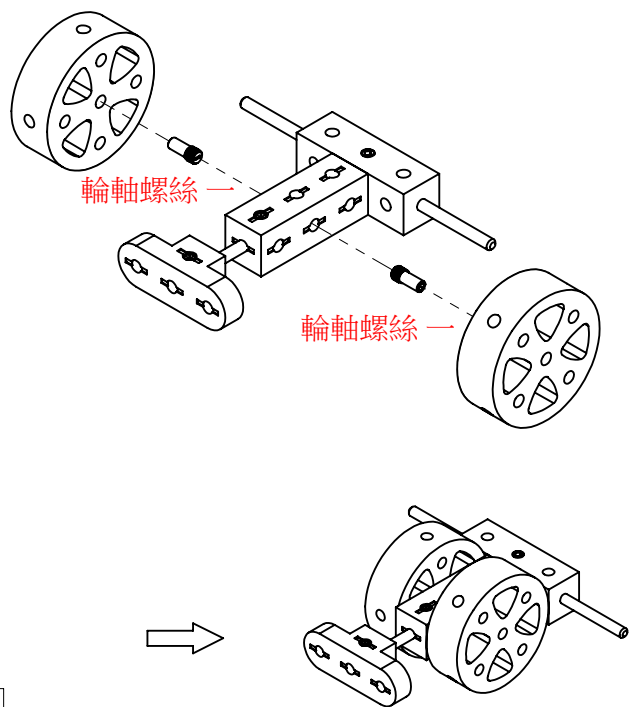
I



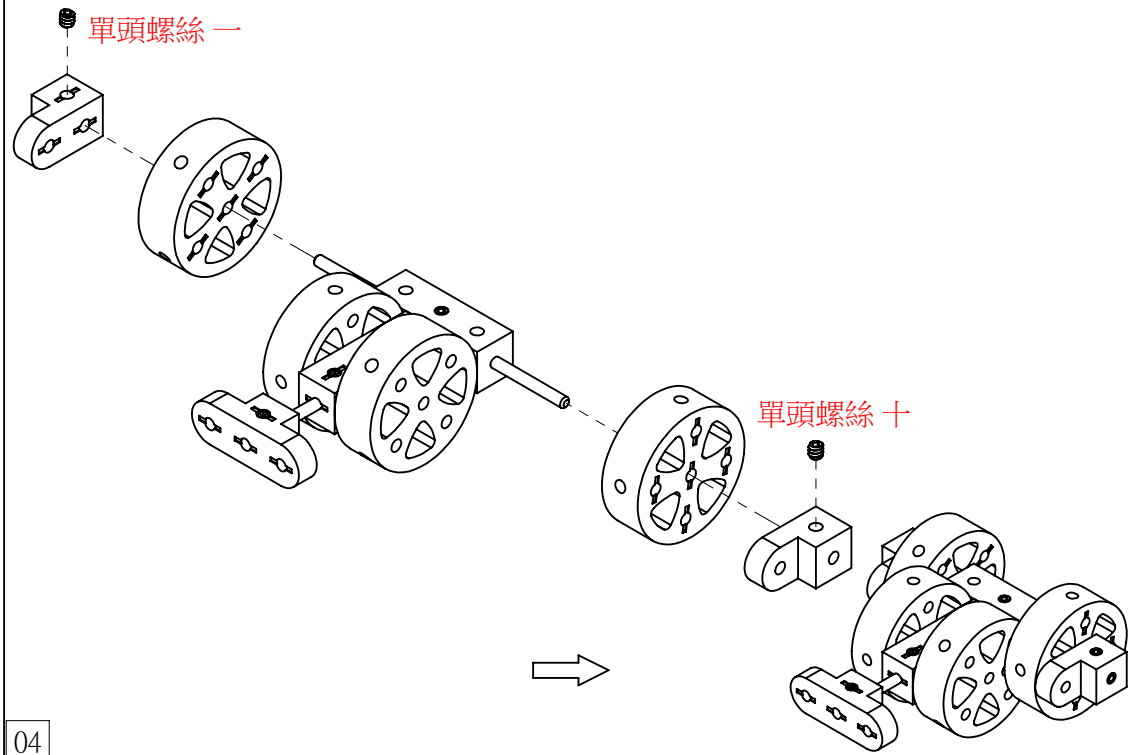
01



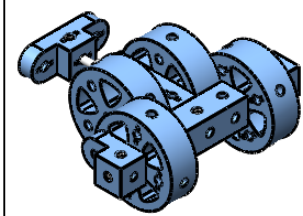
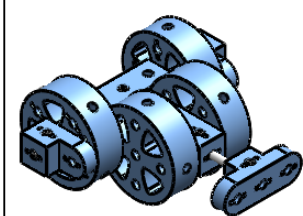
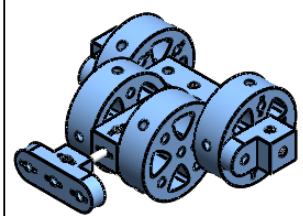
02



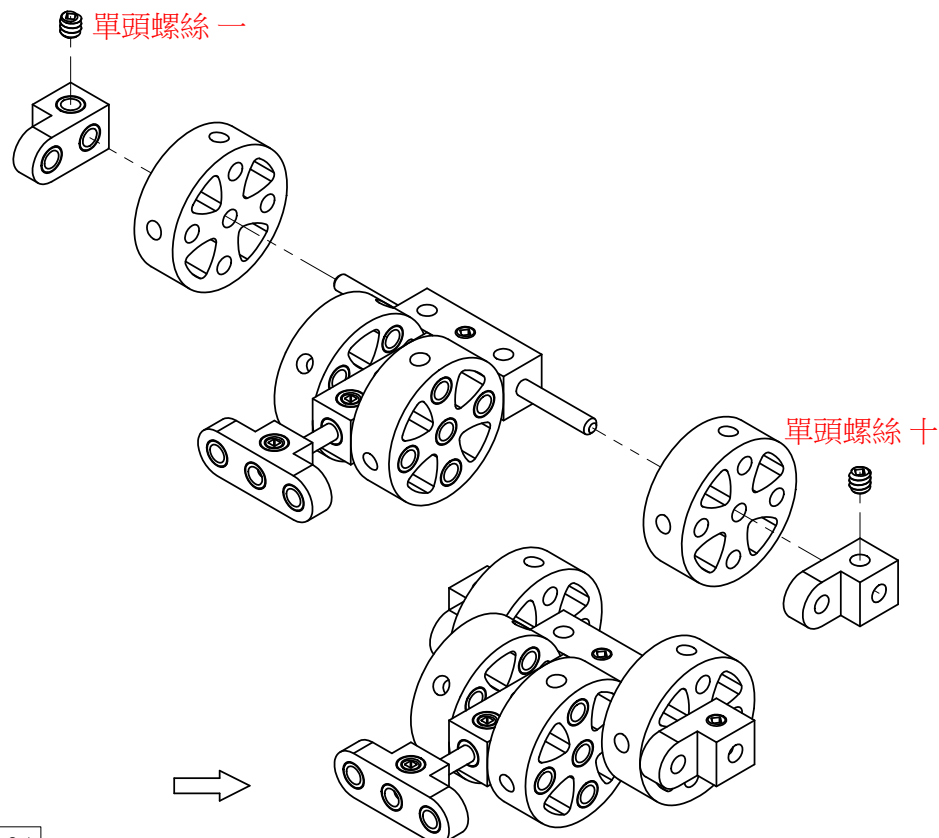
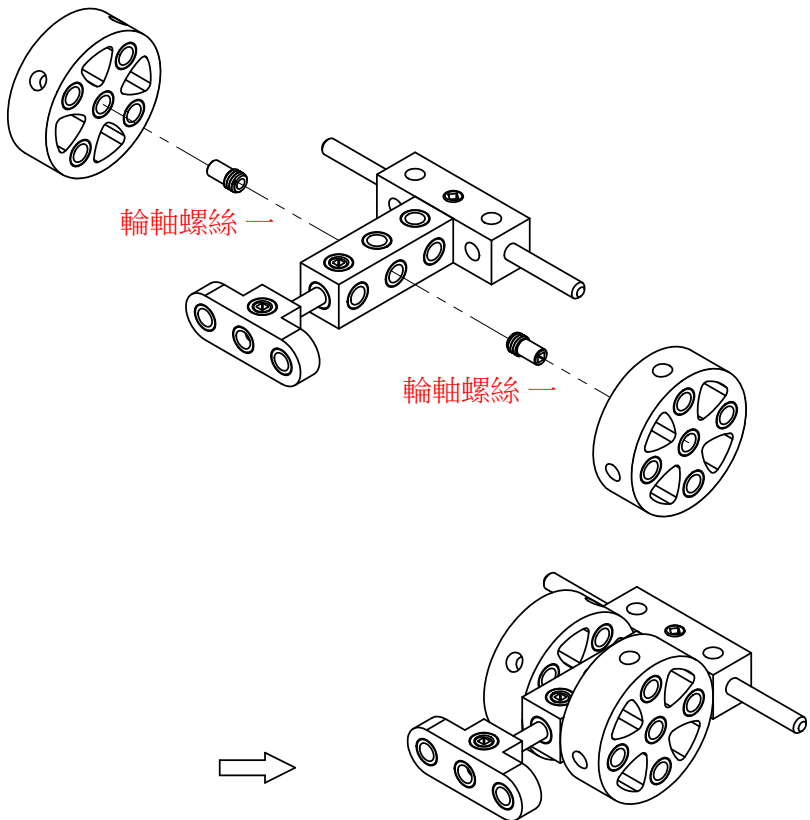
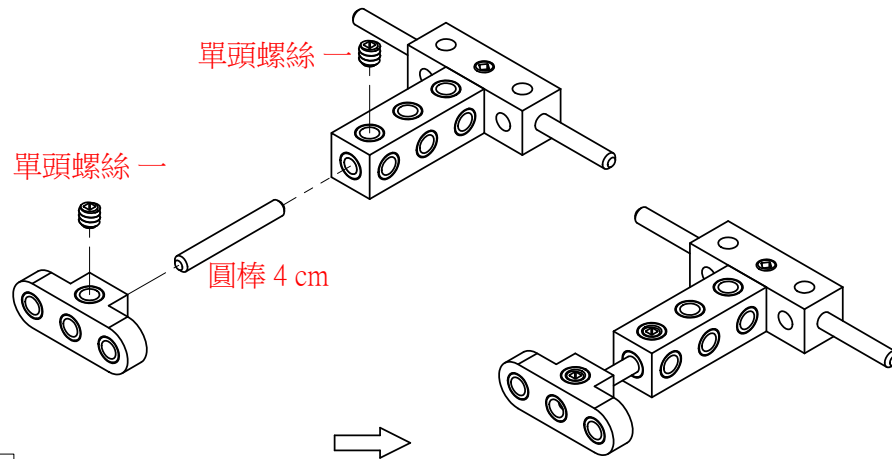
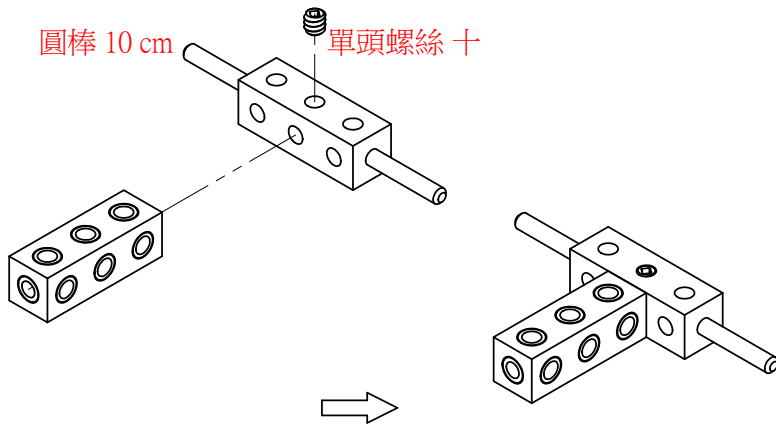
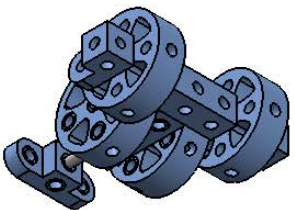
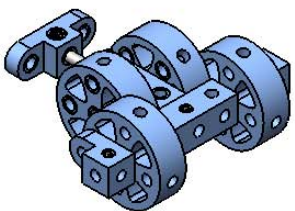
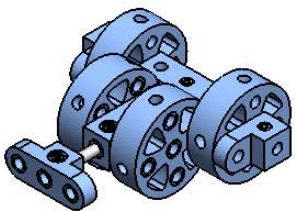
03

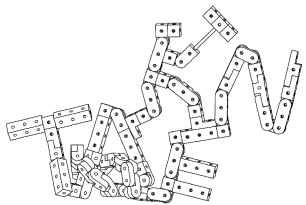


04

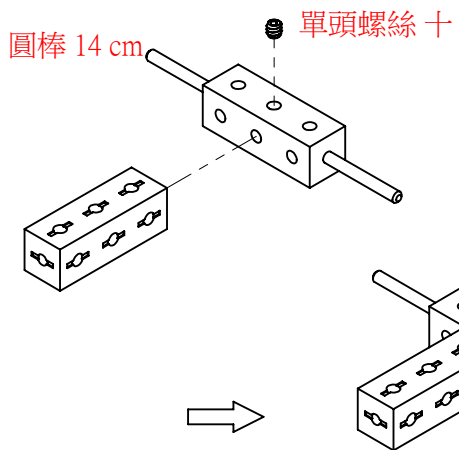
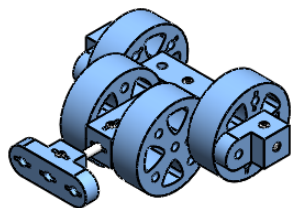


II

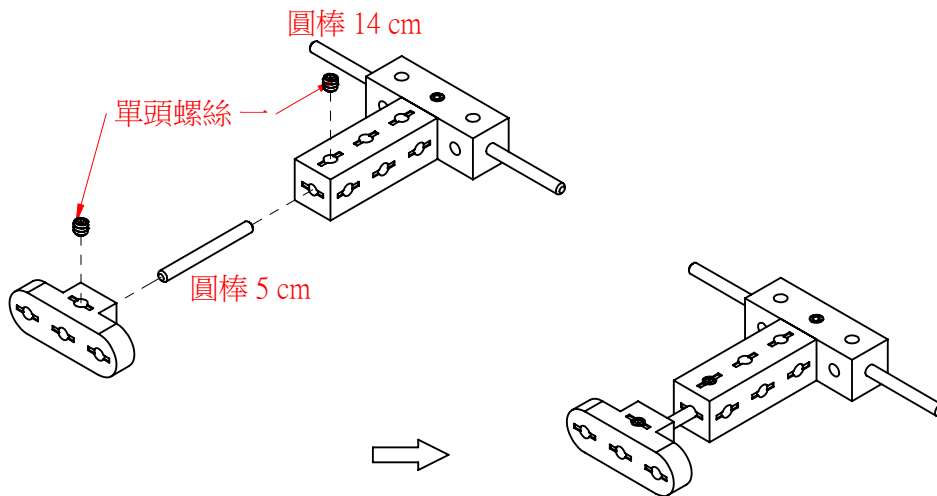




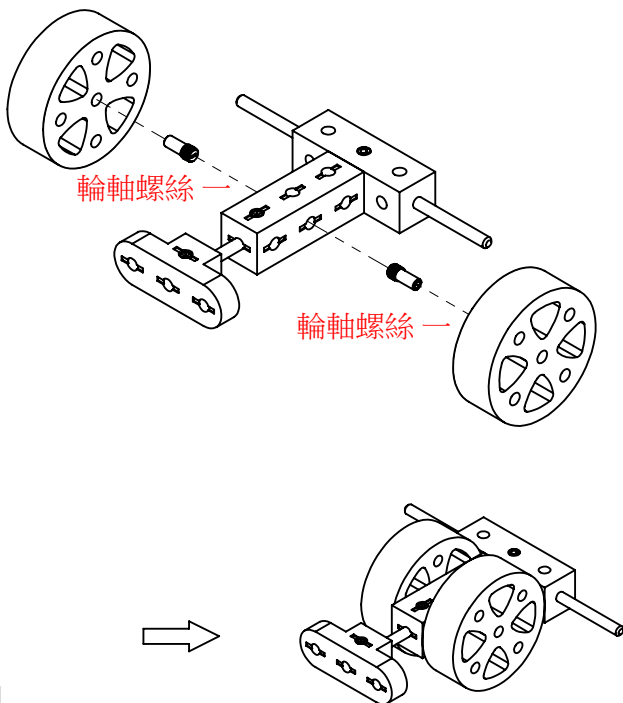
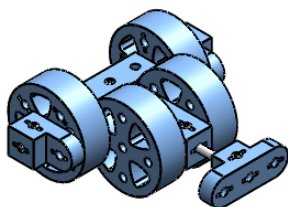
III



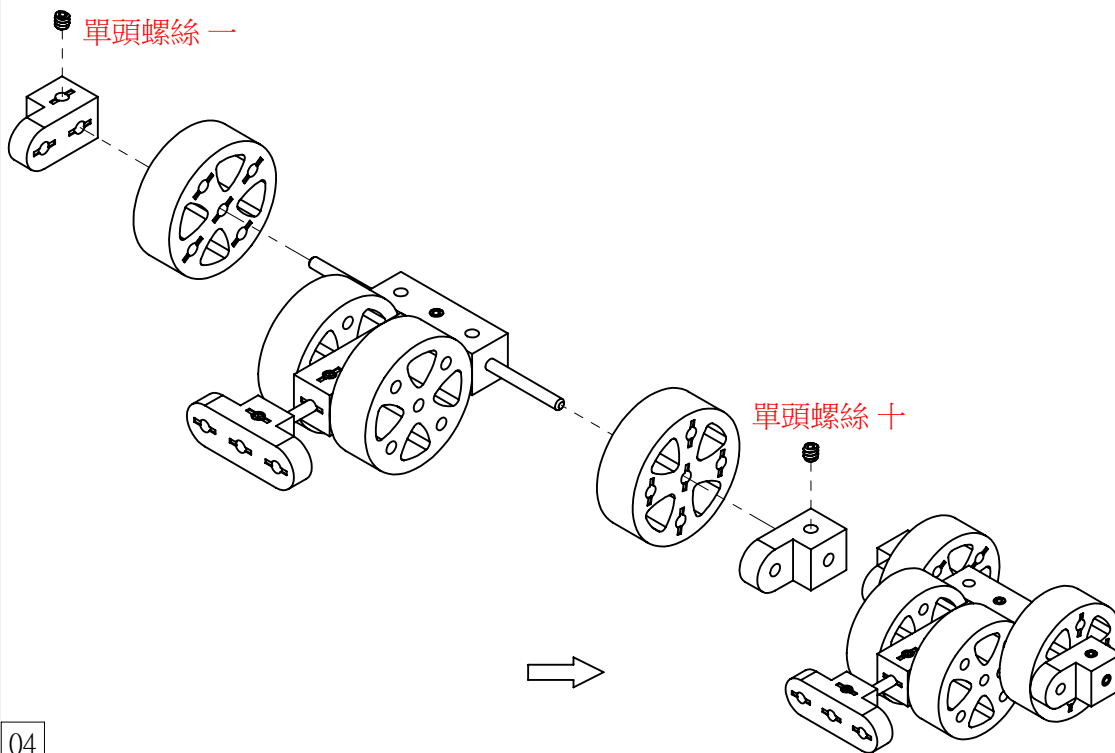
01



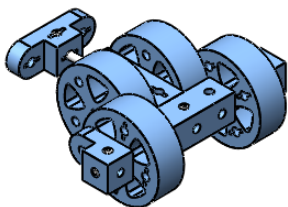
02



03

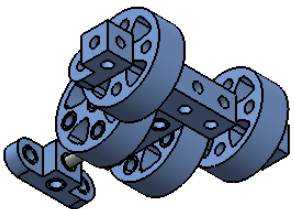
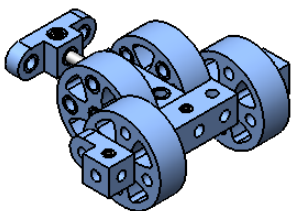
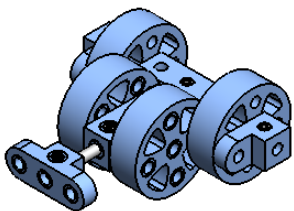


04

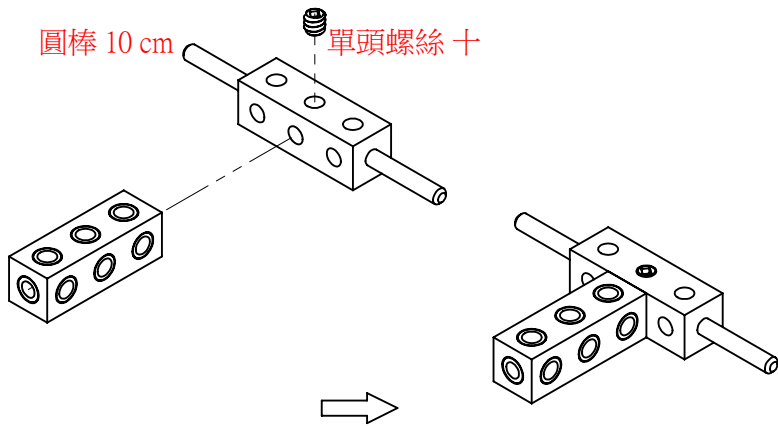




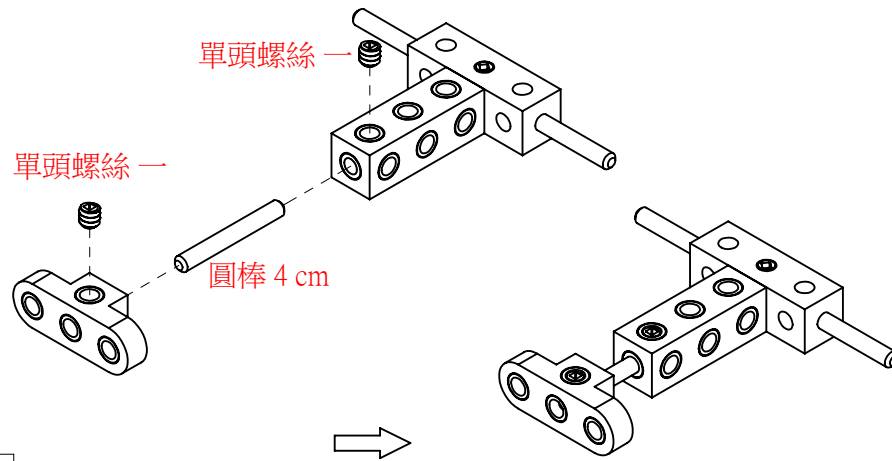
IV



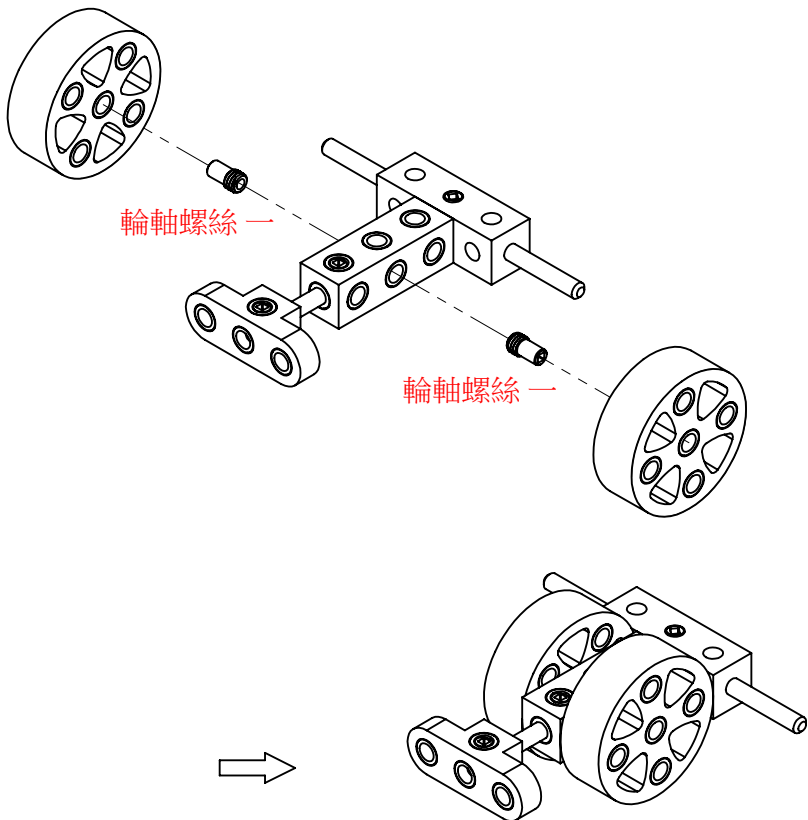
01



02



04



04

