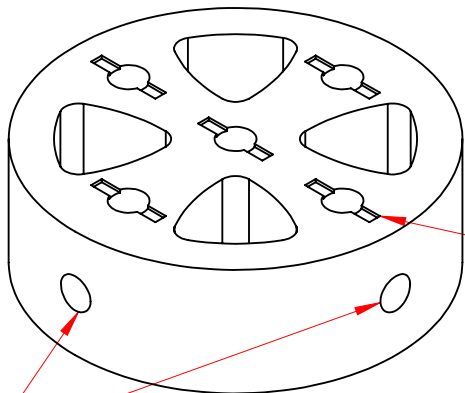
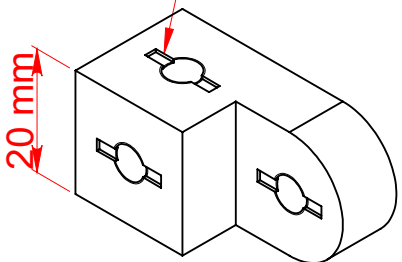


I

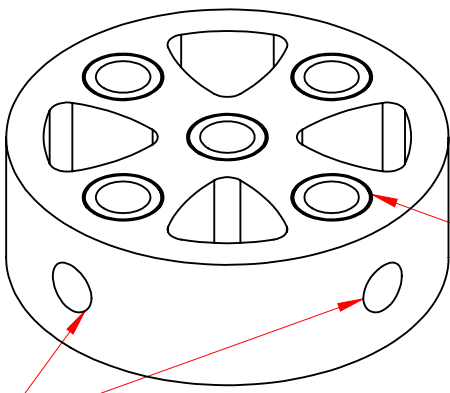


負牙標記
"-" block
if any of
the threaded
hole has a
"-" mark

有側孔
With side hole

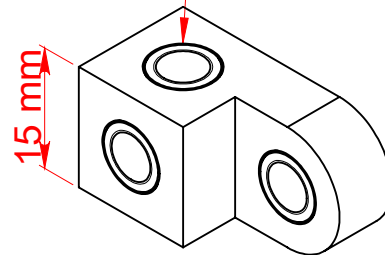


II

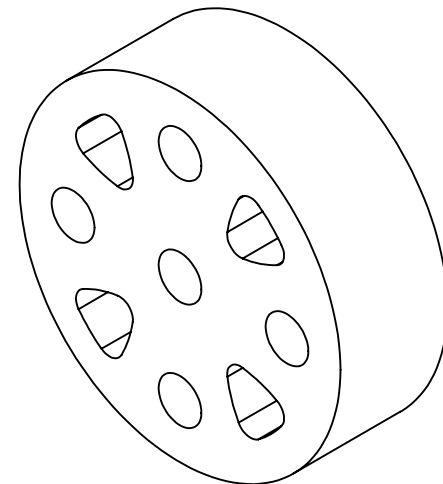


負牙標記
"-" block
A circular
ring outside
each threaded
hole

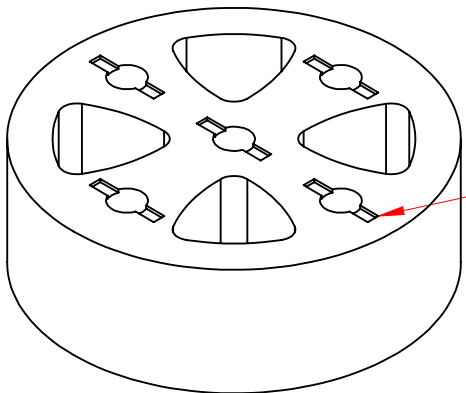
有側孔
With side hole



V

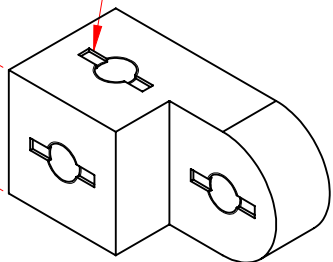


III

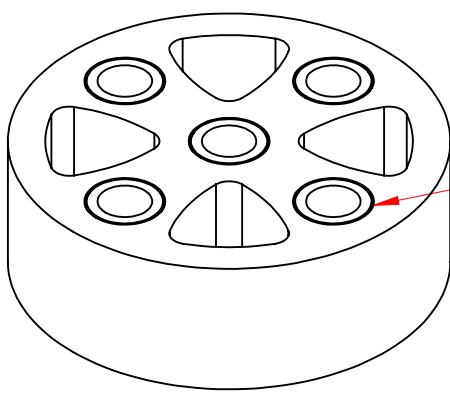


負牙標記
"-" block
if any of
the threaded
hole has a
"-" mark

20 mm

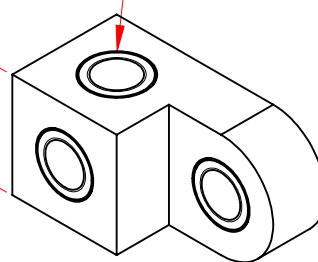


IV

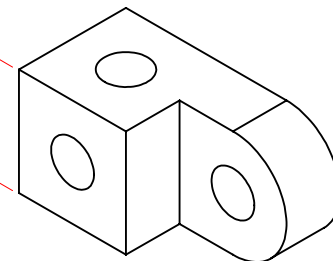


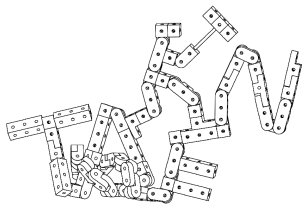
負牙標記
"-" block
A circular
ring outside
each threaded
hole

15 mm

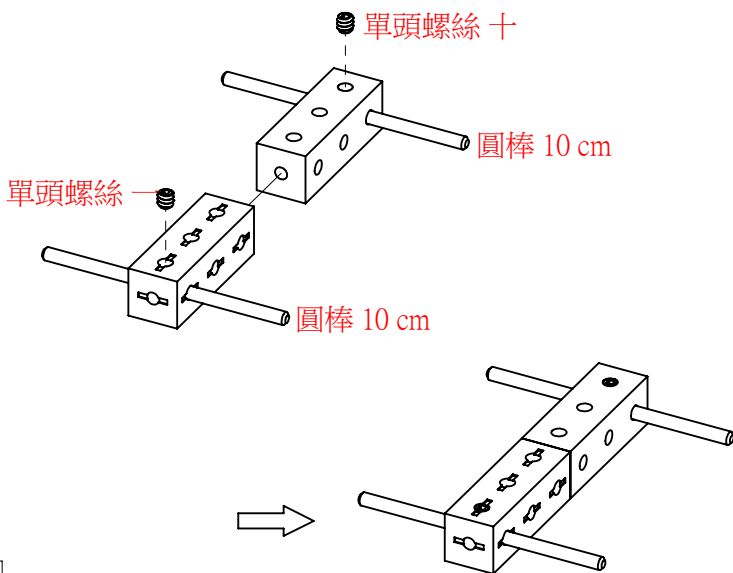
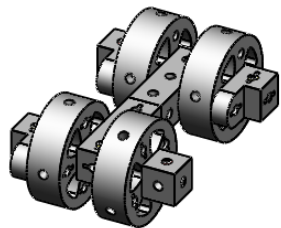


10 mm

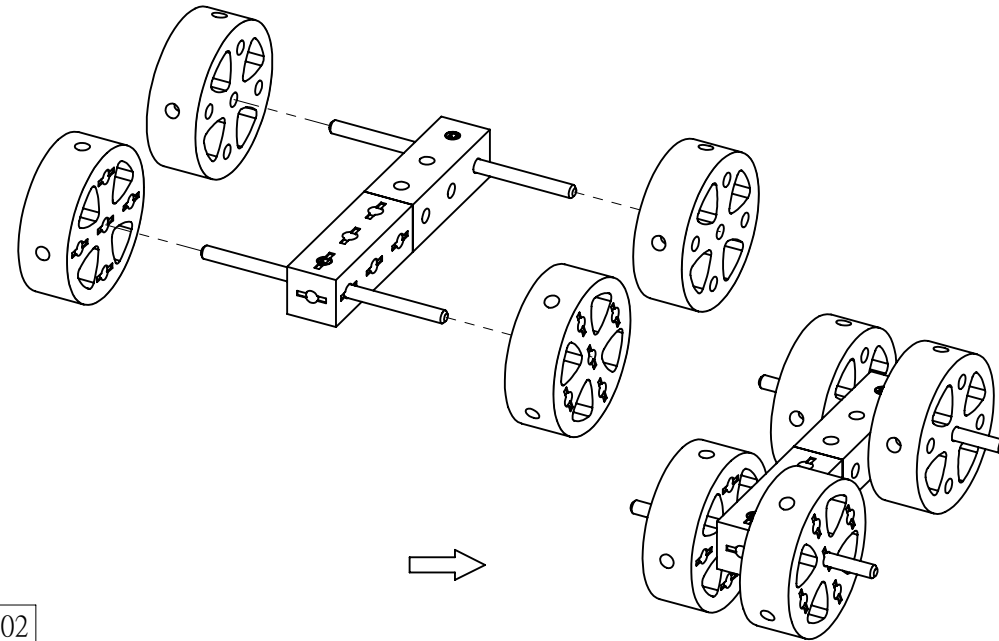




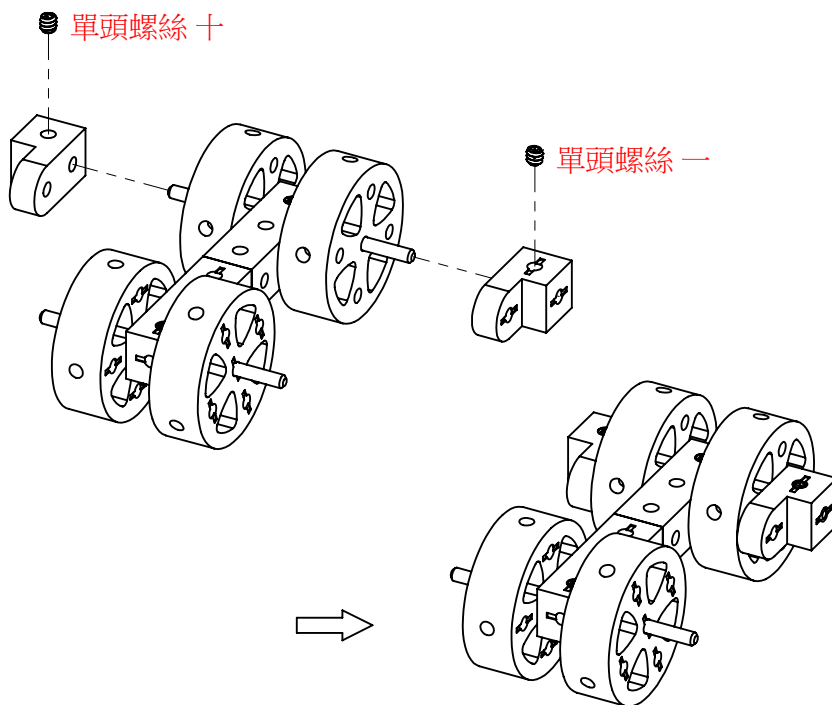
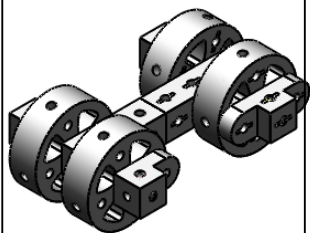
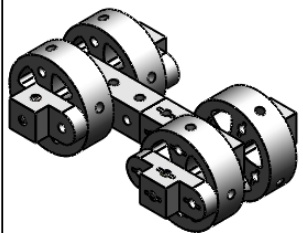
I



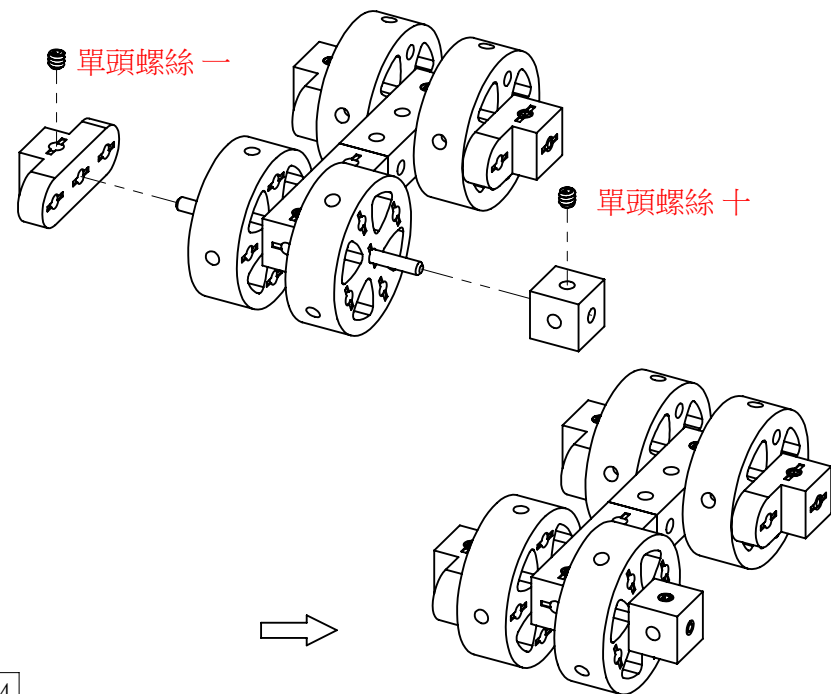
01



02

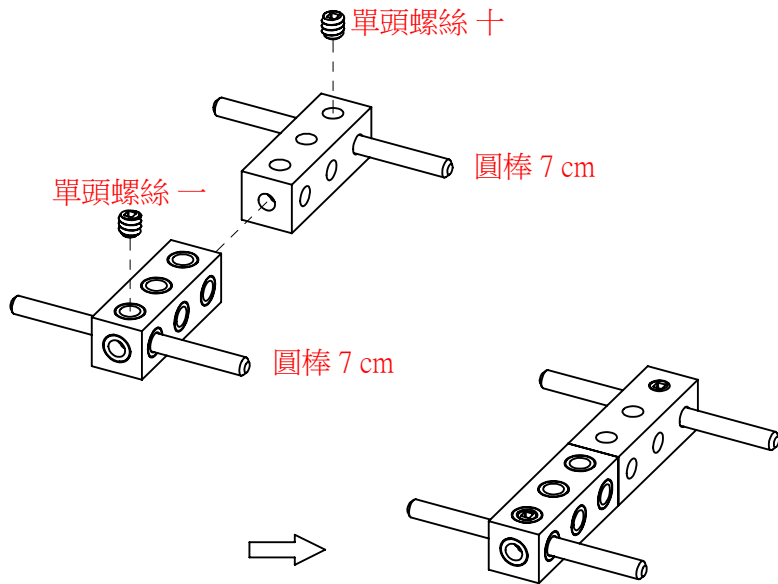
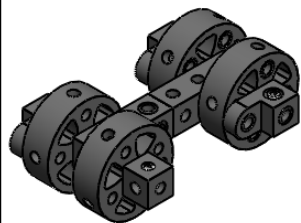


03

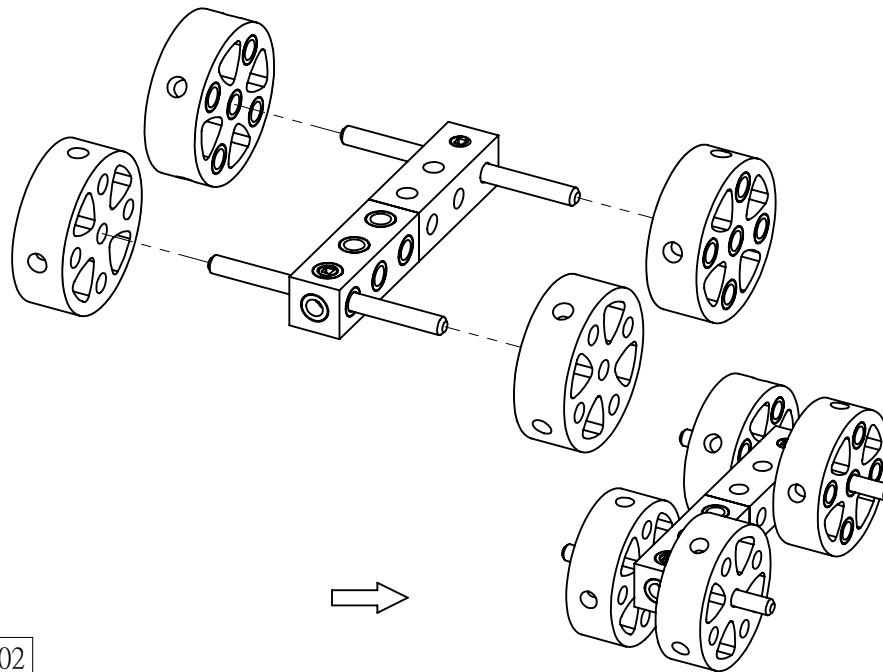


04

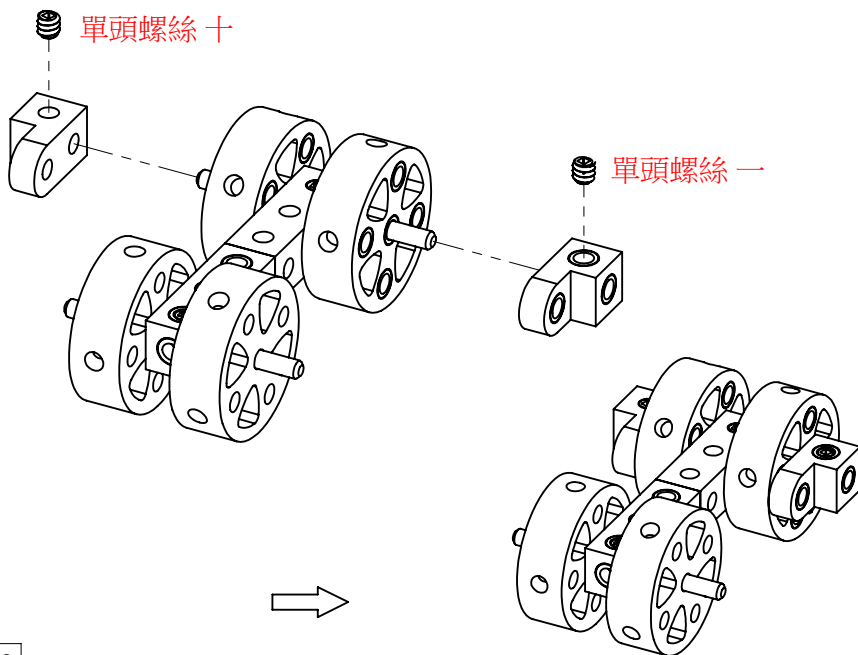
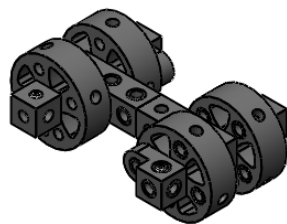
II



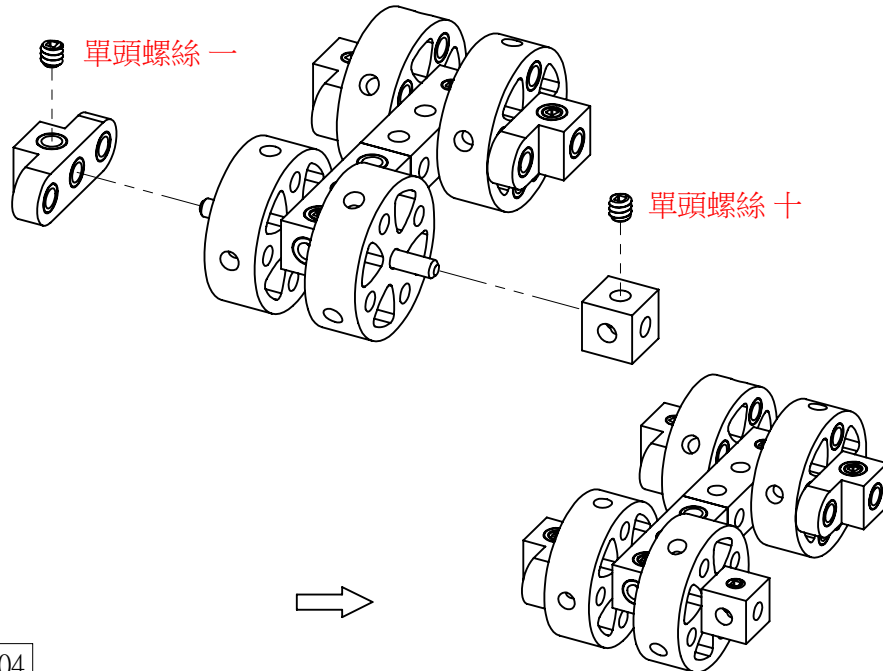
01



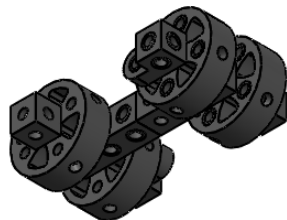
02

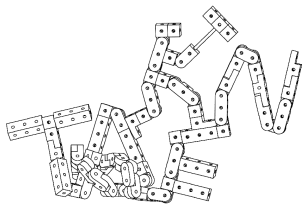


03

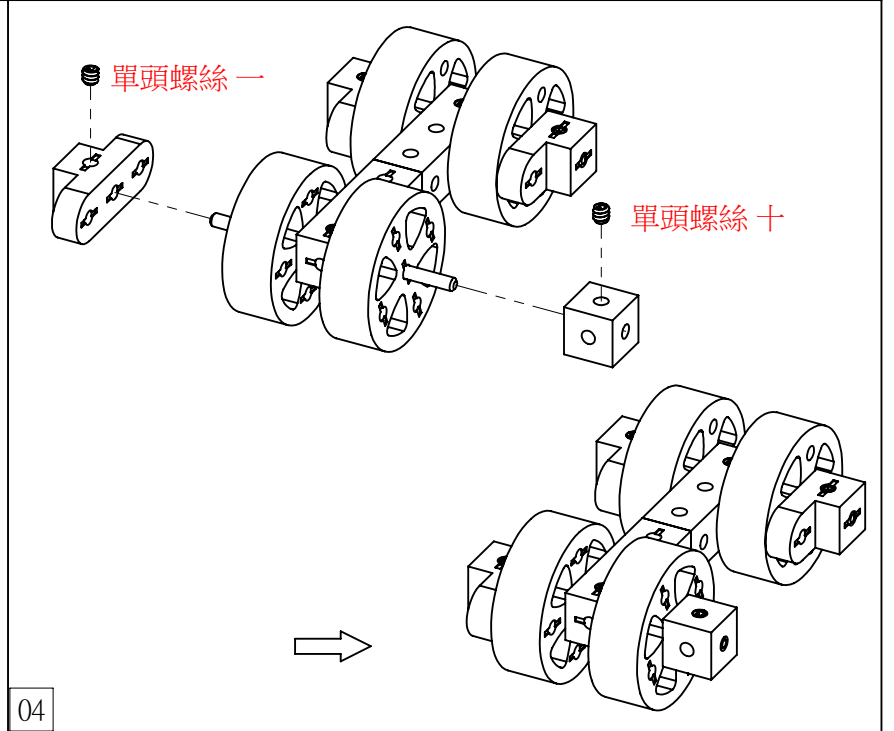
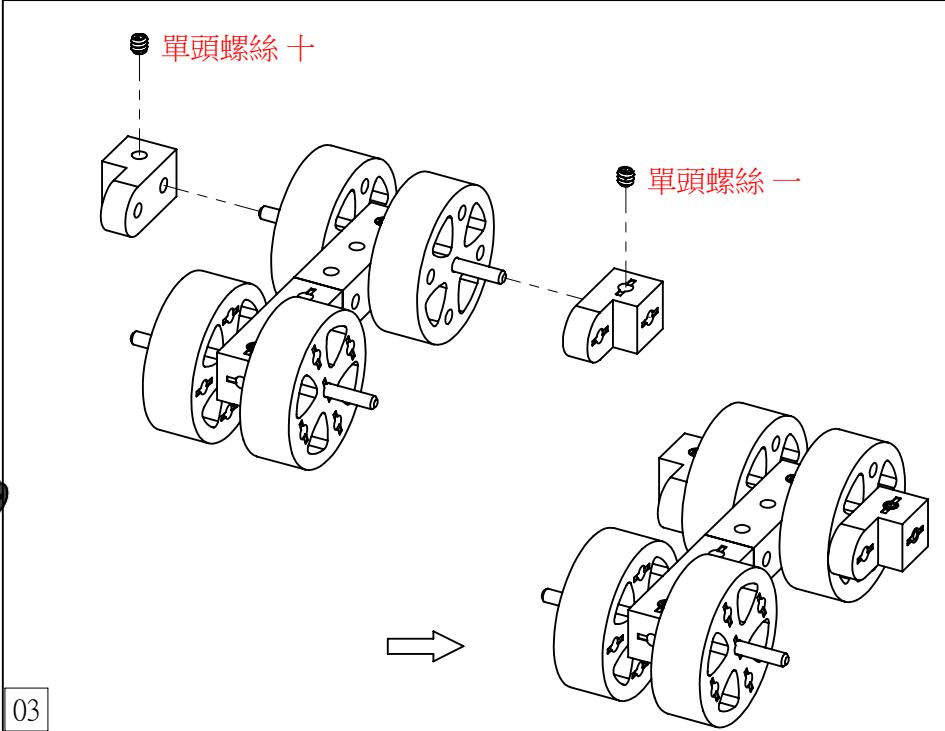
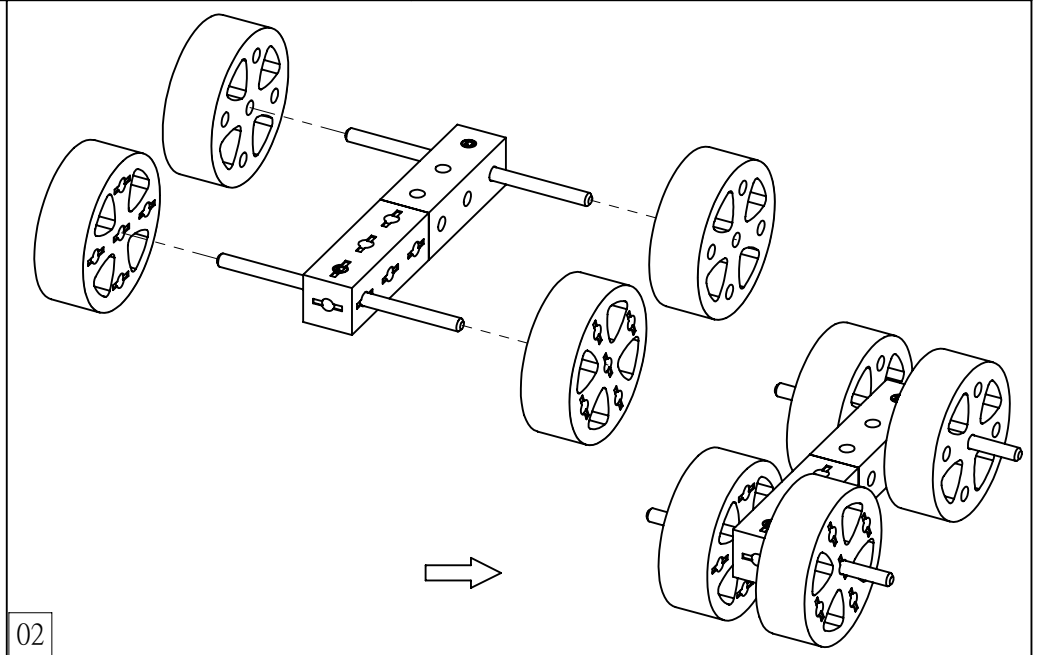
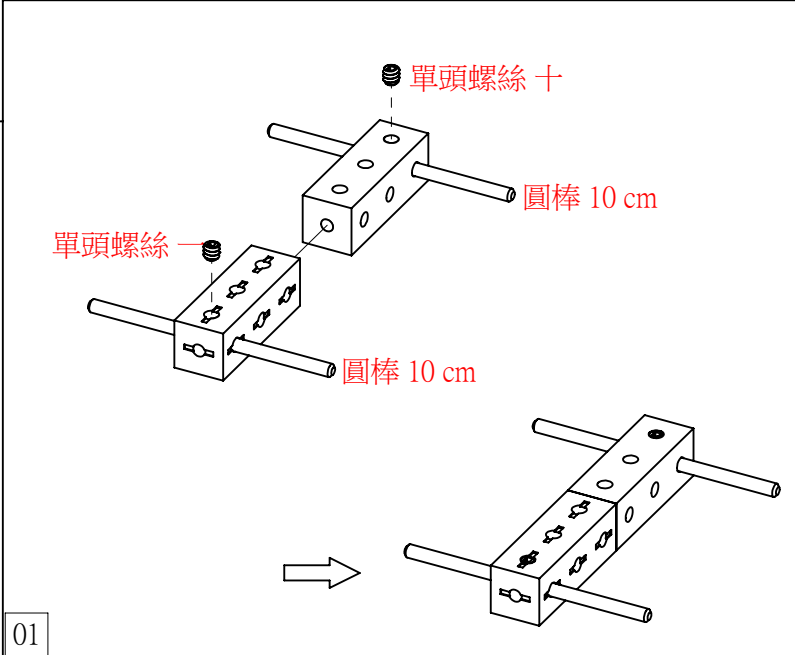
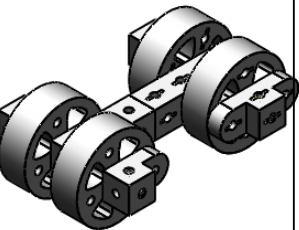
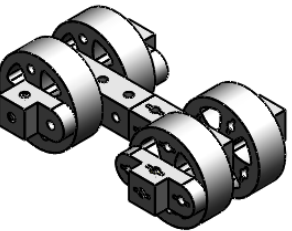
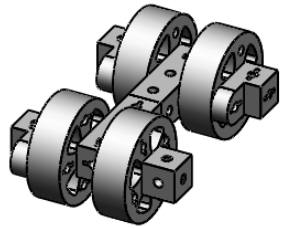


04

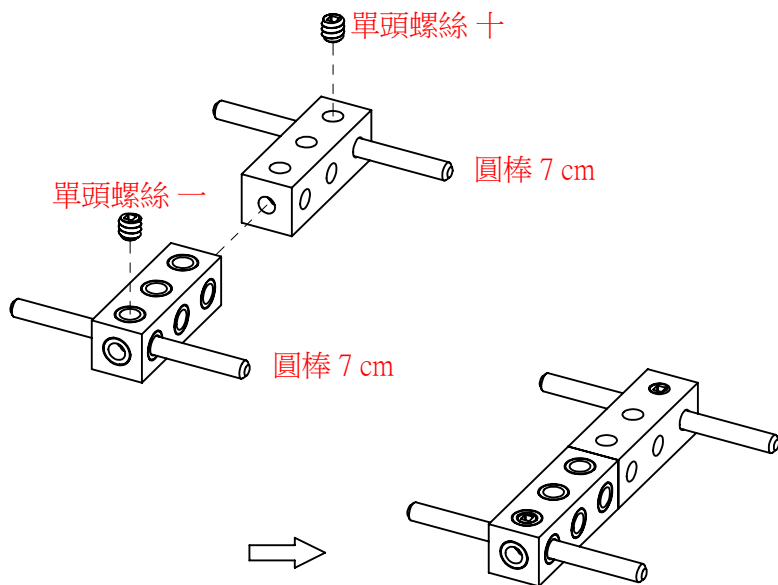
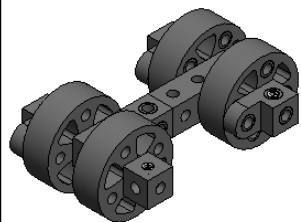




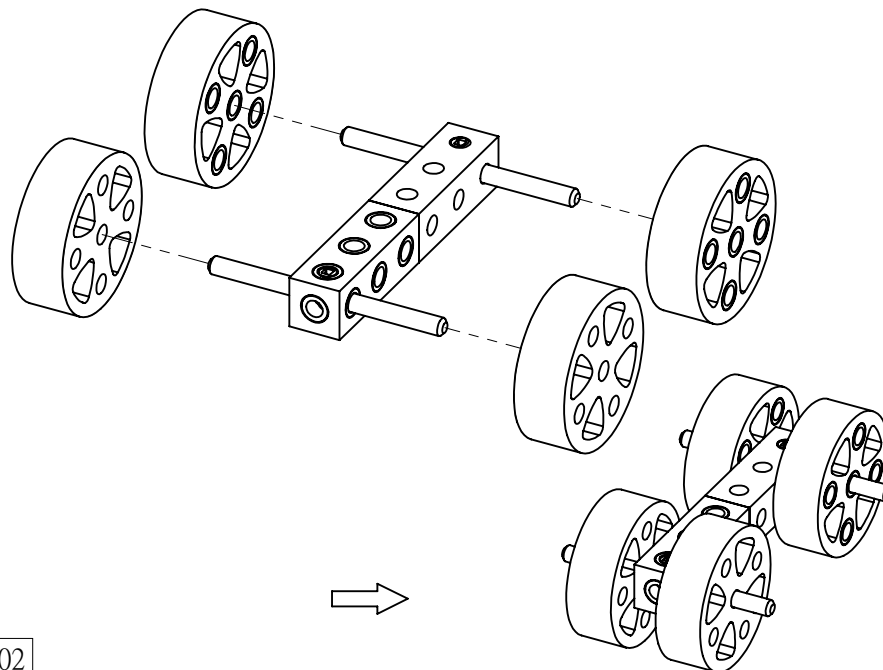
III



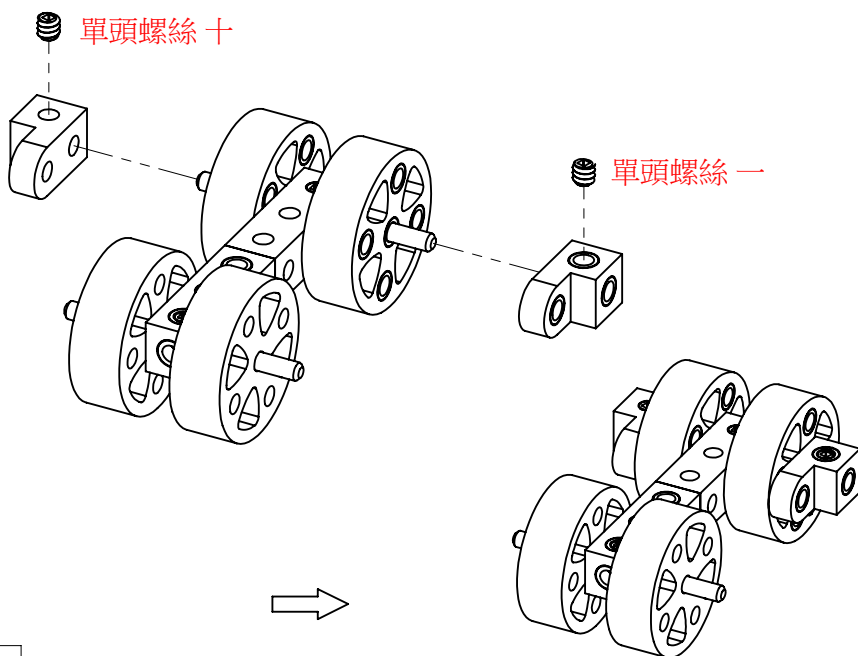
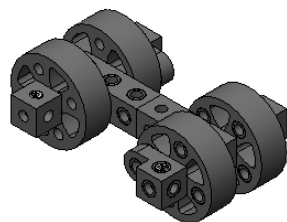
IV



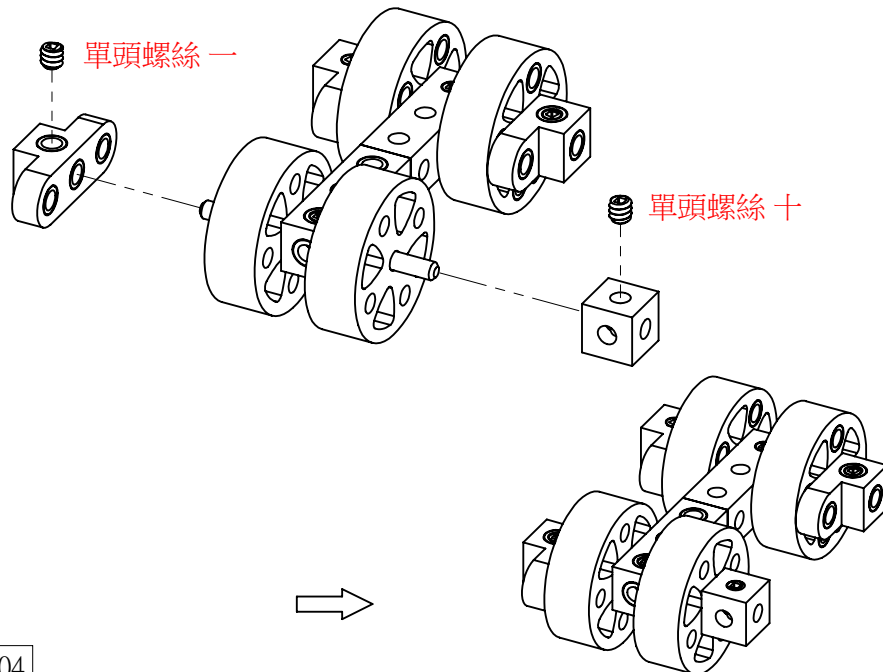
01



02



03



04

