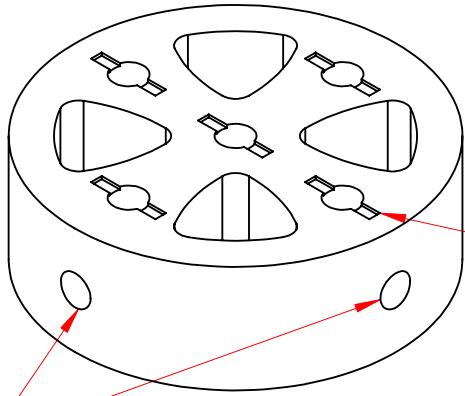
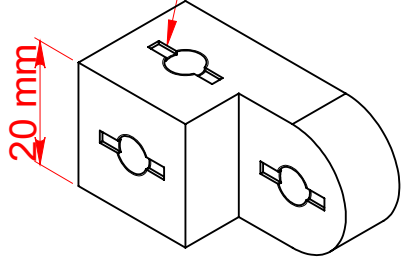


I

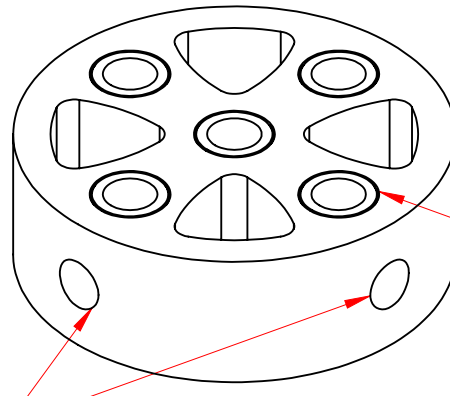


負牙標記
"- " block
if any of
the threaded
hole has a
"- " mark

有側孔
With side hole

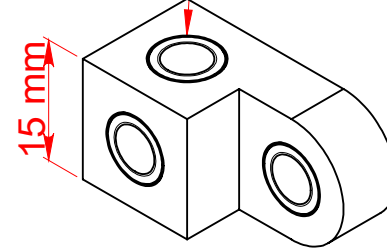


II

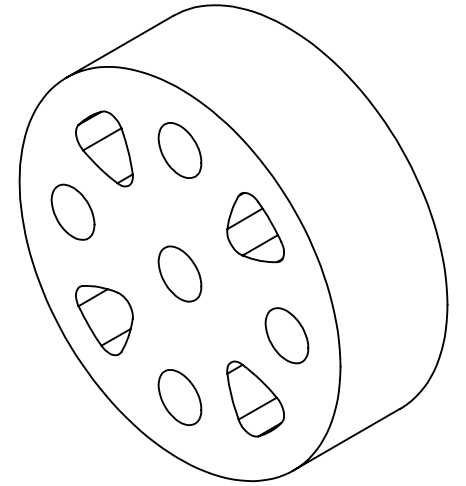


負牙標記
"- " block
A circular
ring outside
each threaded
hole

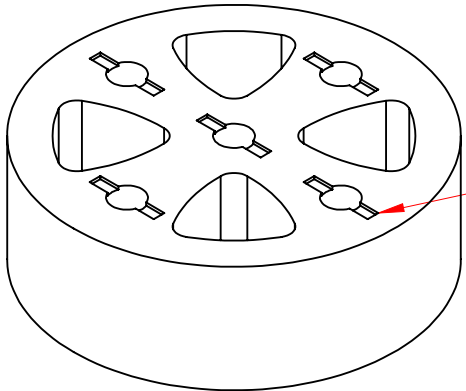
有側孔
With side hole



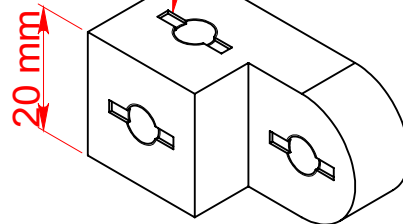
V



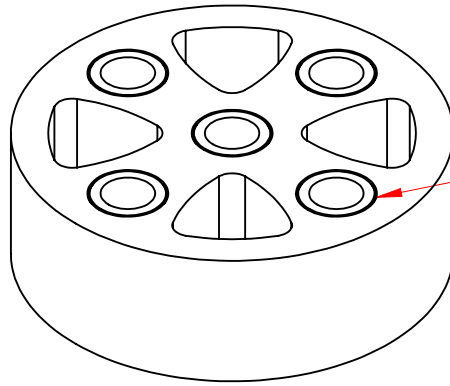
III



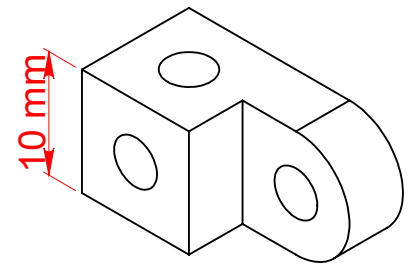
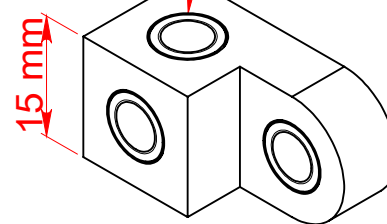
負牙標記
"- " block
if any of
the threaded
hole has a
"- " mark

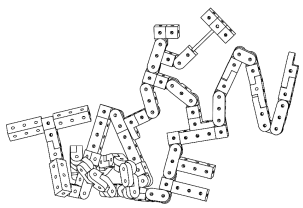


IV

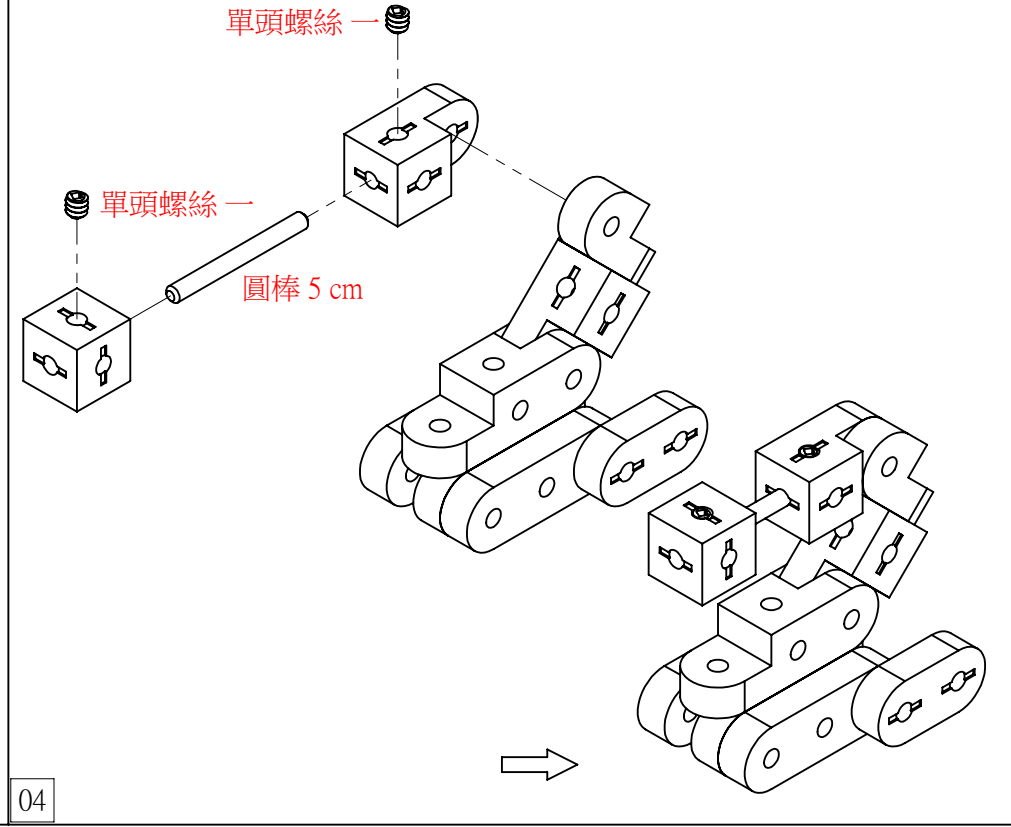
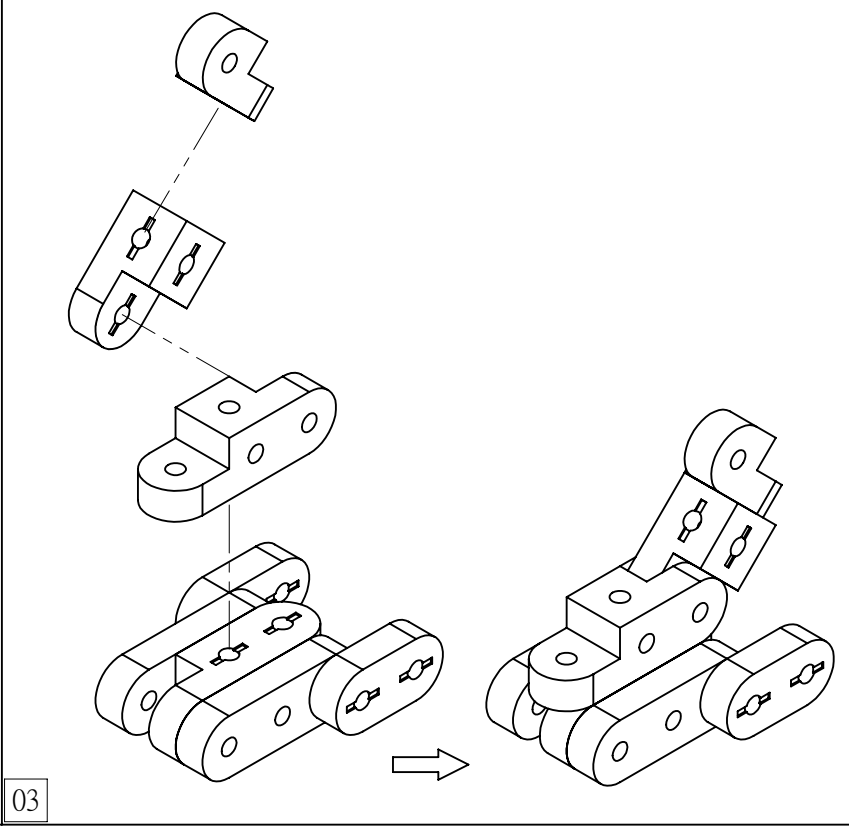
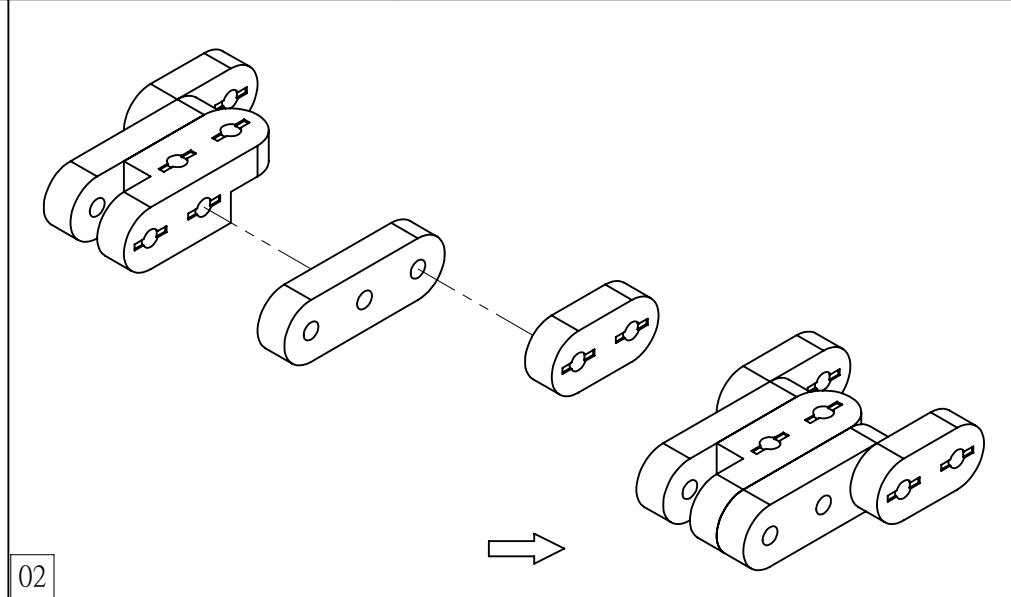
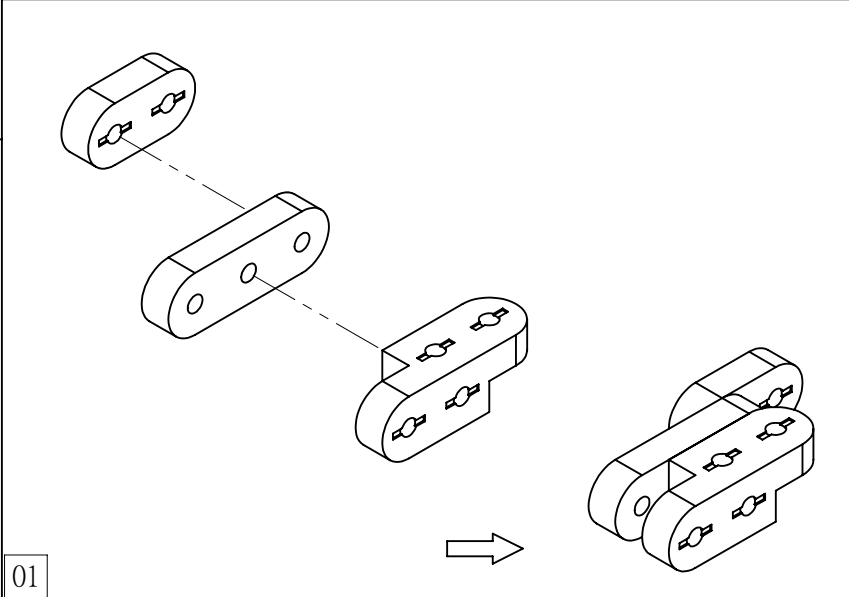
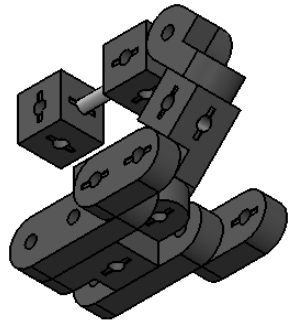
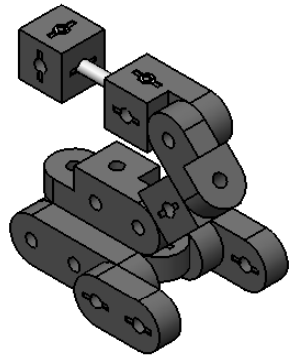
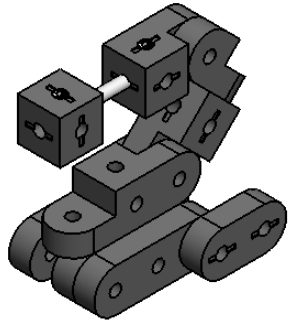


負牙標記
"- " block
A circular
ring outside
each threaded
hole



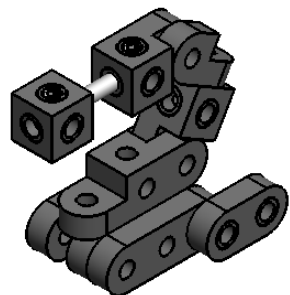


III

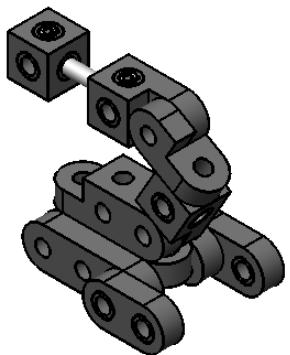
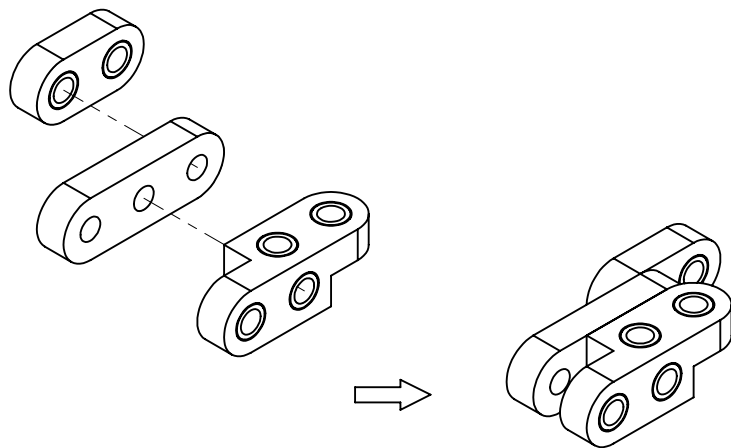




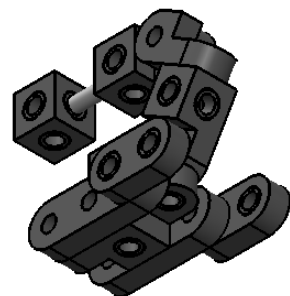
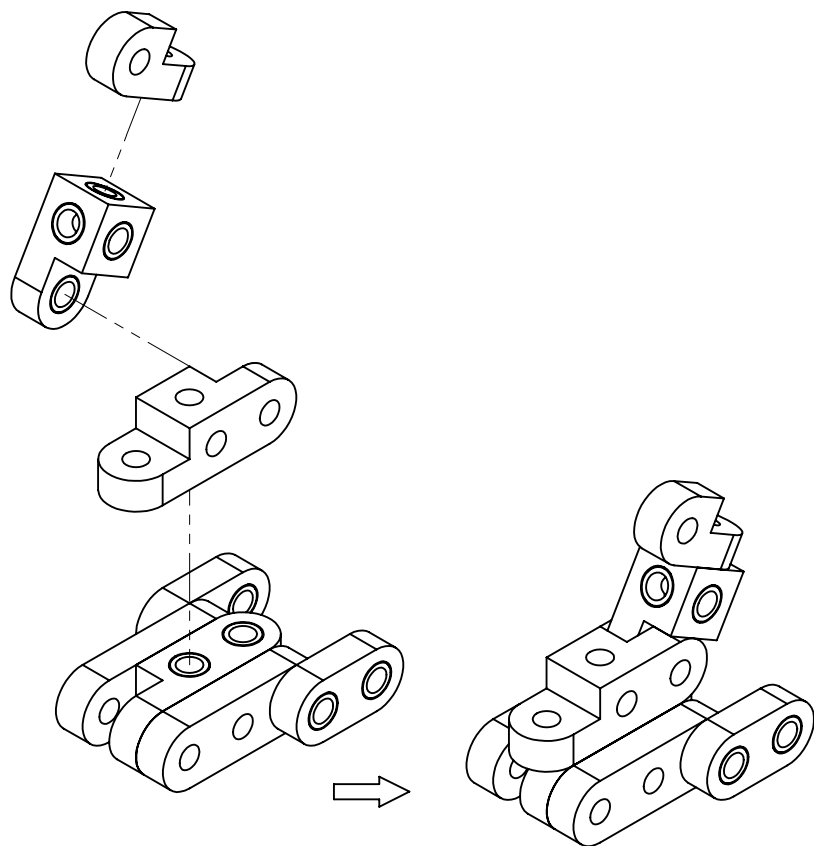
IV



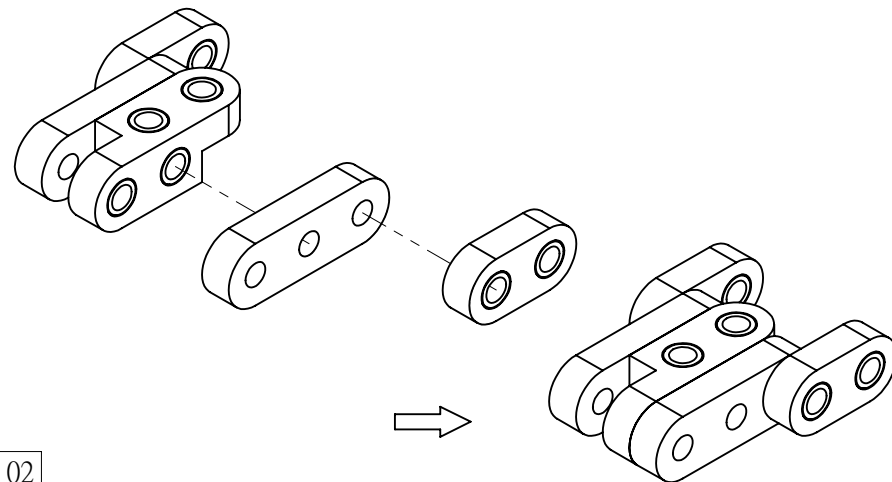
01



03



02



04

