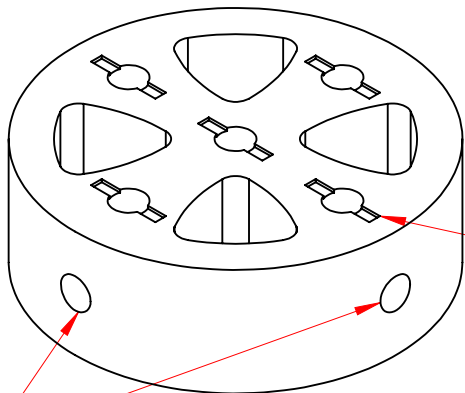
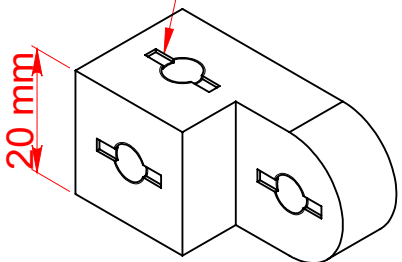


I

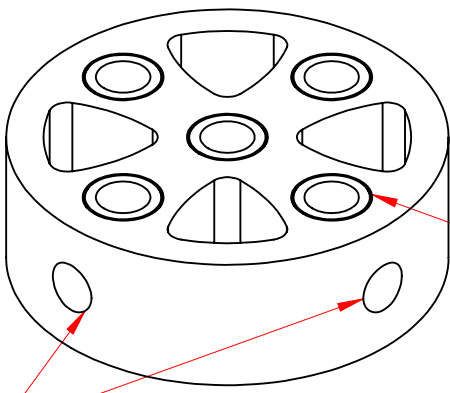


負牙標記
"- " block
if any of
the threaded
hole has a
"- " mark

有側孔
With side hole

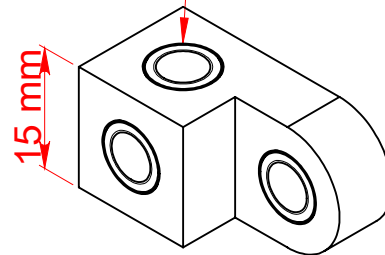


II

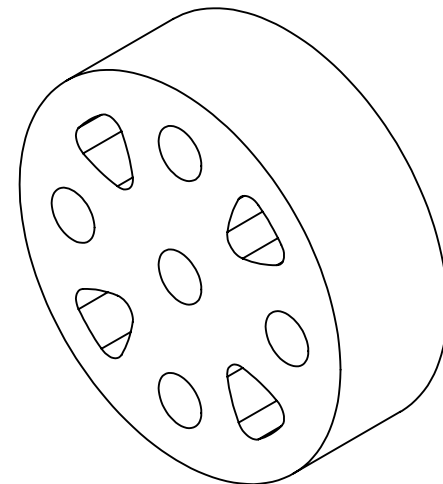


負牙標記
"- " block
A circular
ring outside
each threaded
hole

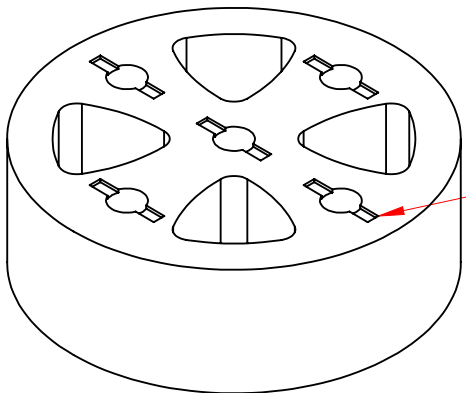
有側孔
With side hole



V

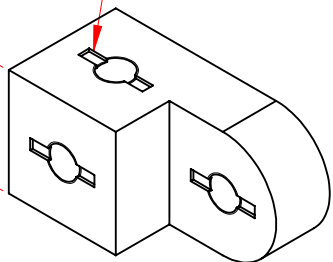


III

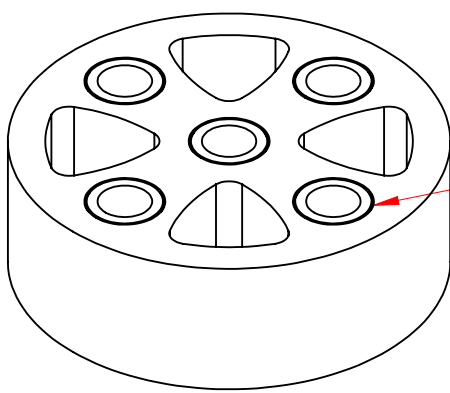


負牙標記
"- " block
if any of
the threaded
hole has a
"- " mark

20 mm

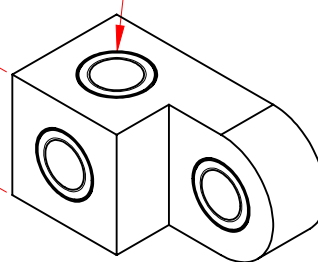


IV

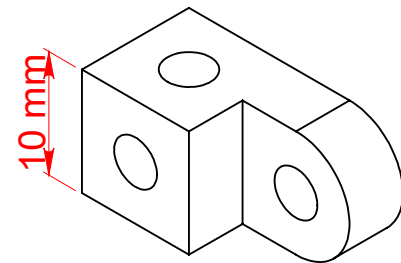


負牙標記
"- " block
A circular
ring outside
each threaded
hole

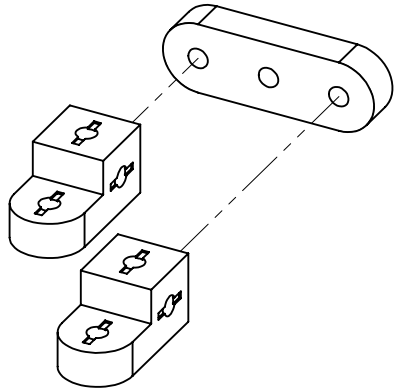
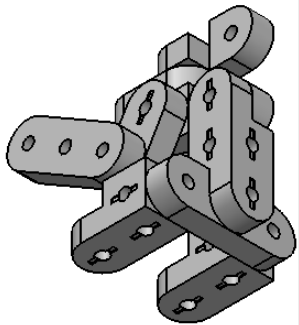
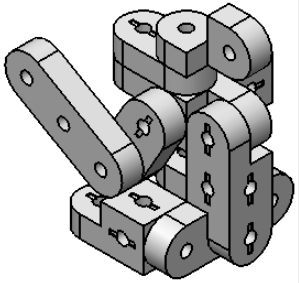
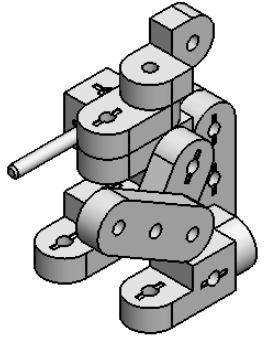
15 mm



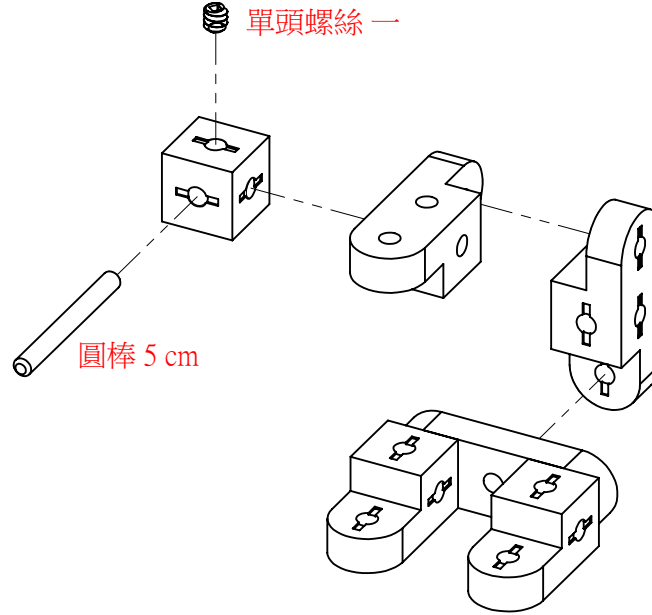
10 mm



III



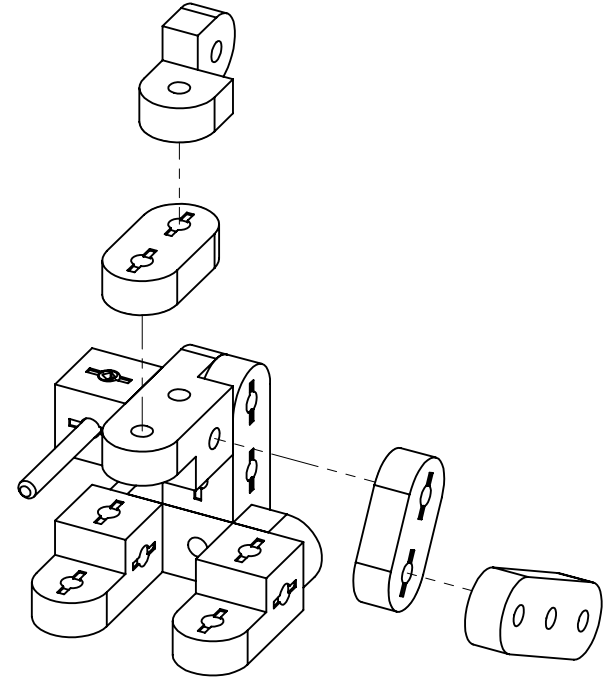
01



圓棒 5 cm

單頭螺絲 一

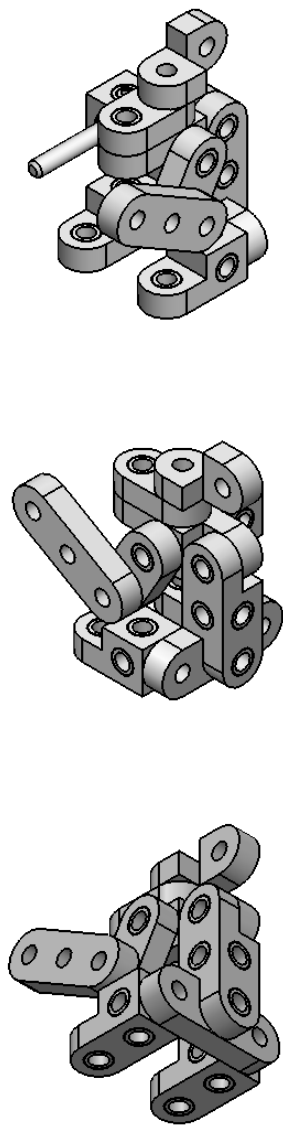
02



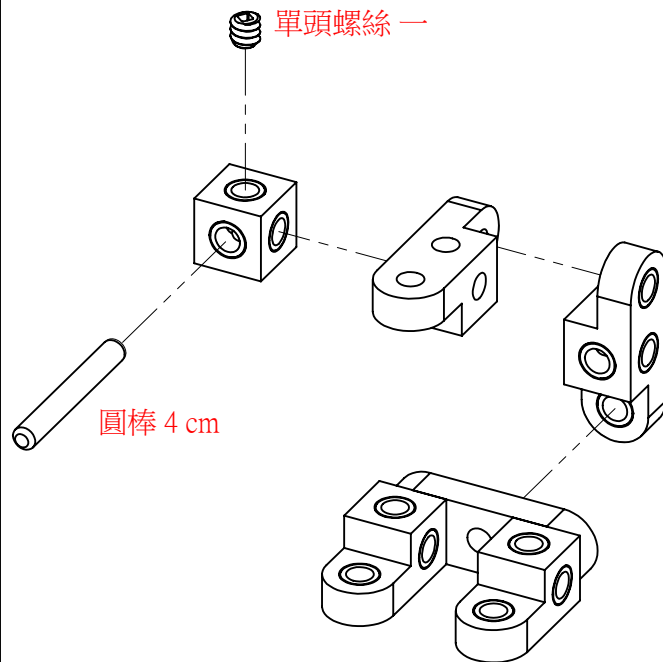
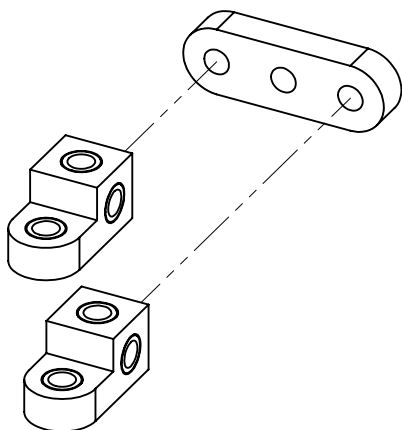
03



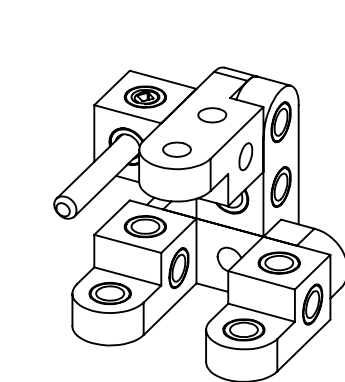
IV



01



02



03

