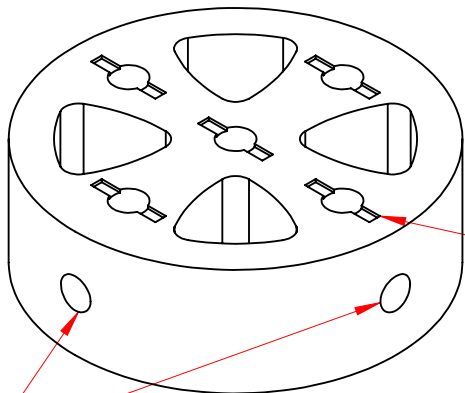
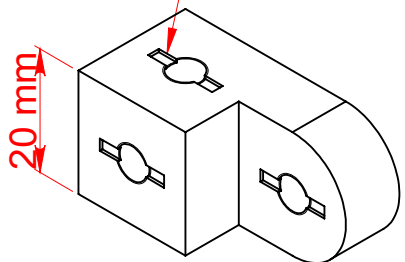


# I

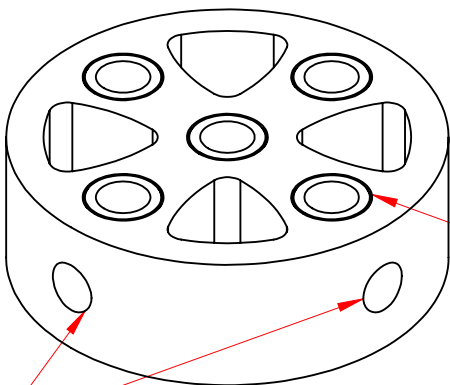


負牙標記  
"- " block  
if any of  
the threaded  
hole has a  
"- " mark

有側孔  
With side hole

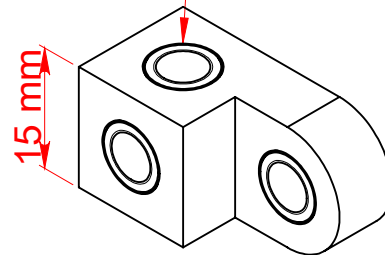


# II

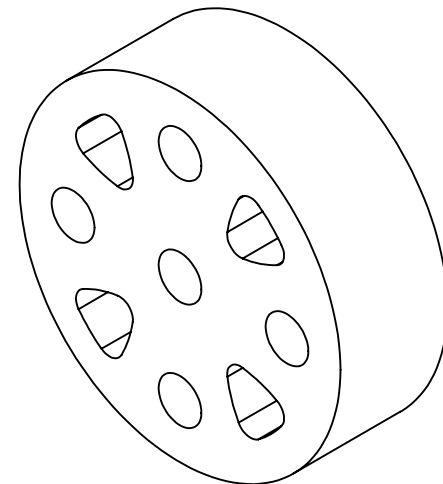


負牙標記  
"- " block  
A circular  
ring outside  
each threaded  
hole

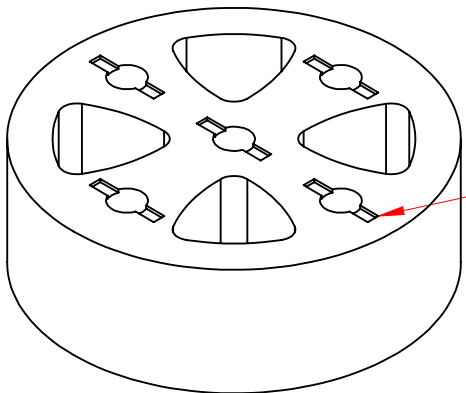
有側孔  
With side hole



# V

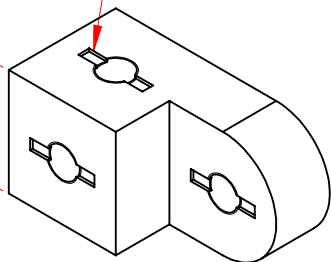


# III

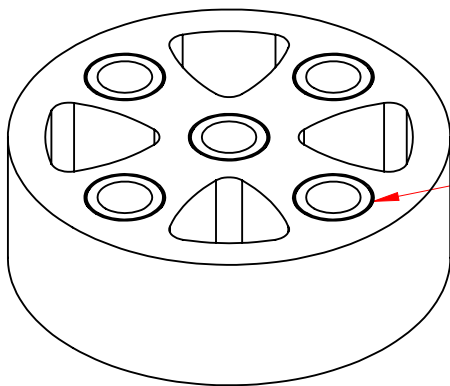


負牙標記  
"- " block  
if any of  
the threaded  
hole has a  
"- " mark

20 mm

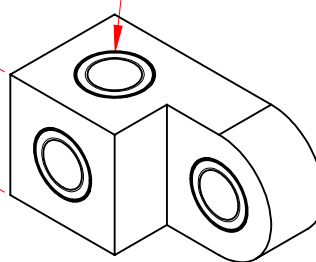


# IV

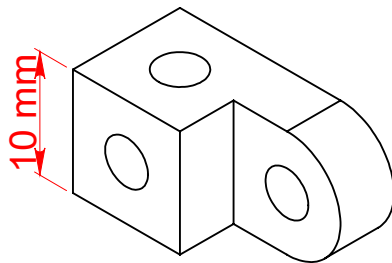


負牙標記  
"- " block  
A circular  
ring outside  
each threaded  
hole

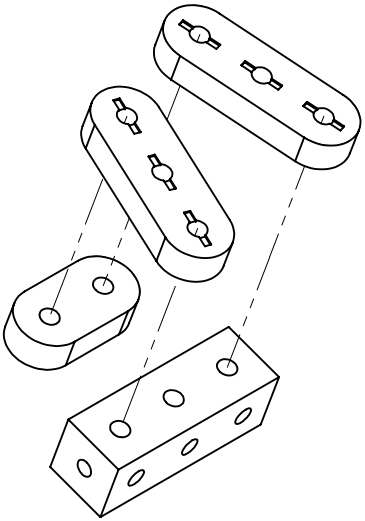
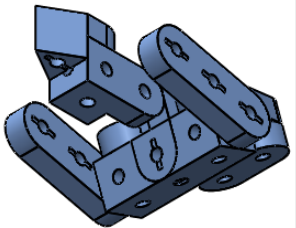
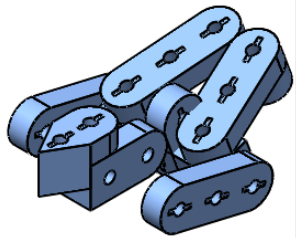
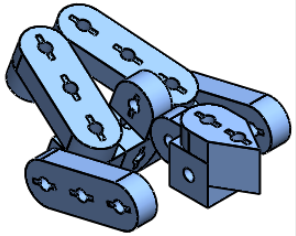
15 mm



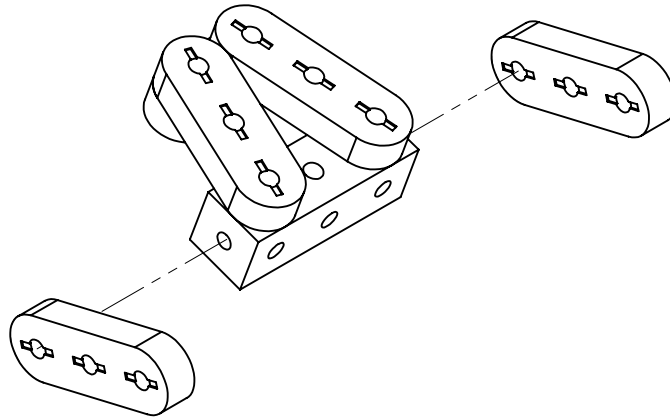
10 mm



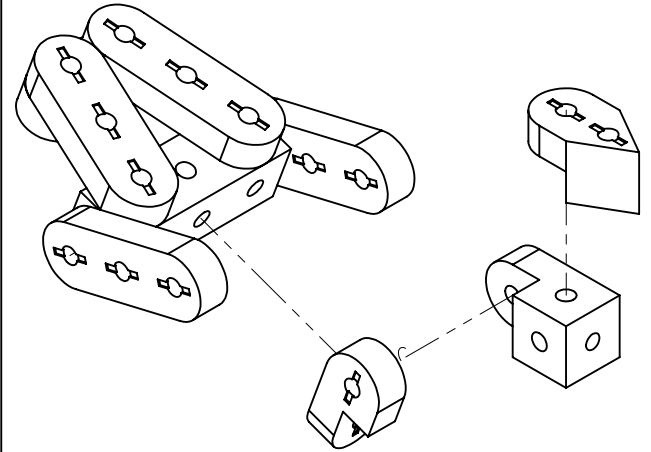
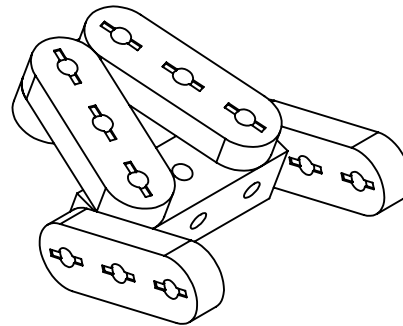
III



01



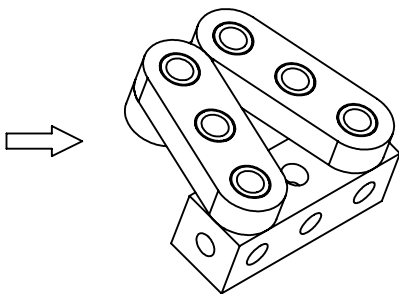
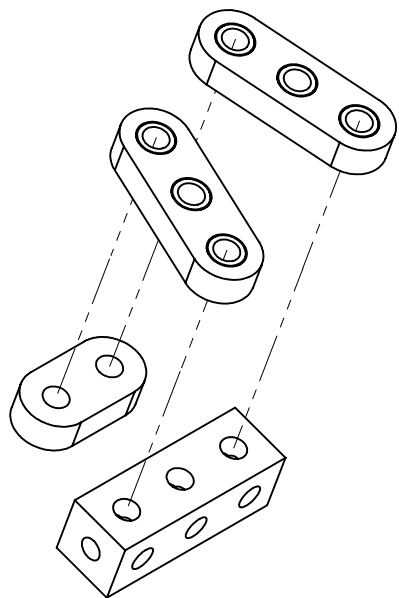
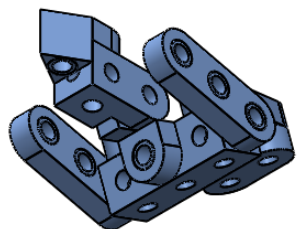
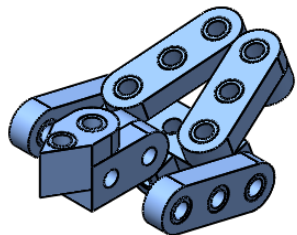
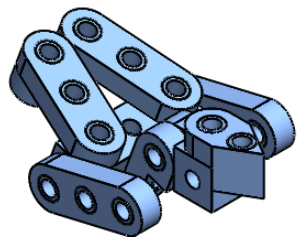
02



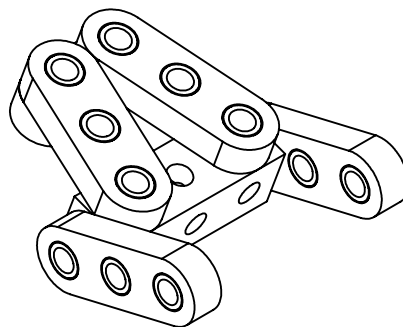
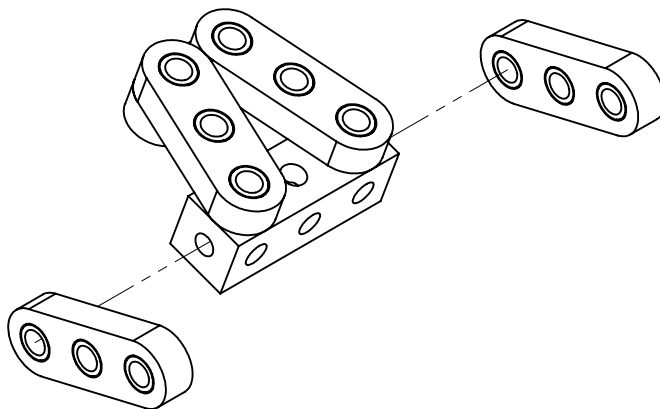
03



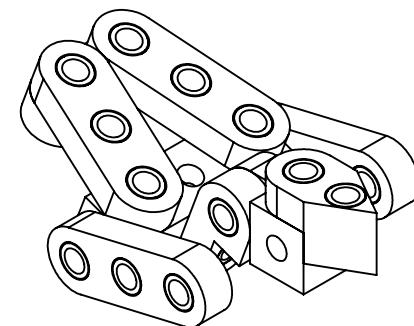
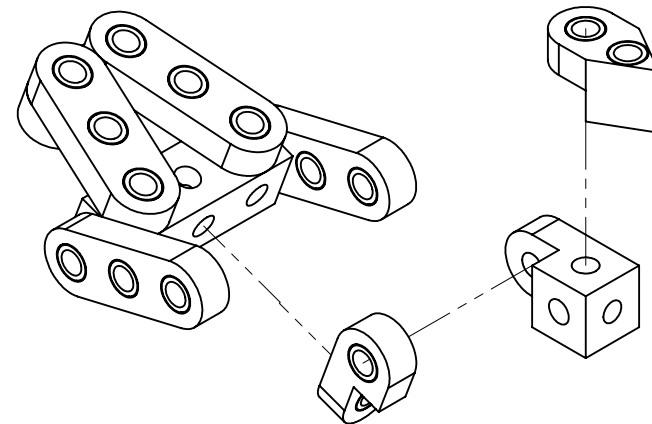
# IV



01



02



03