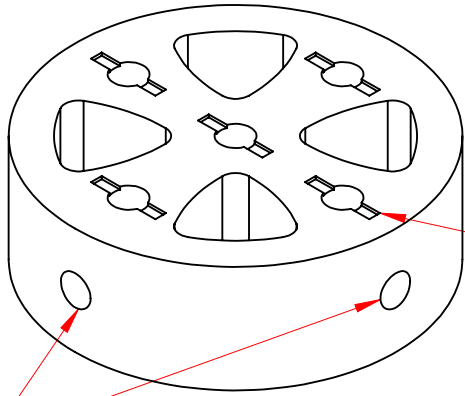
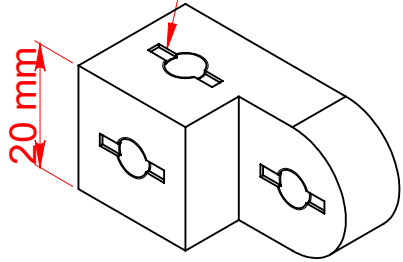


I

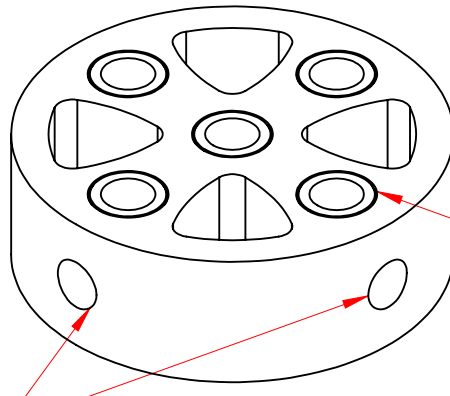


負牙標記
"- " block
if any of
the threaded
hole has a
"- " mark

有側孔
With side hole

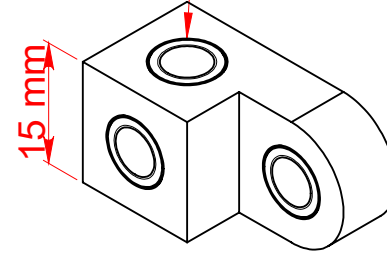


II

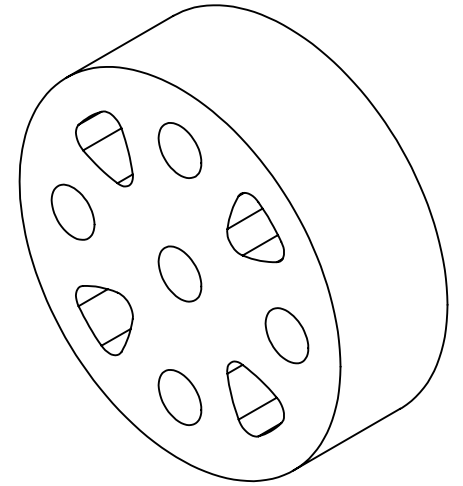


負牙標記
"- " block
A circular
ring outside
each threaded
hole

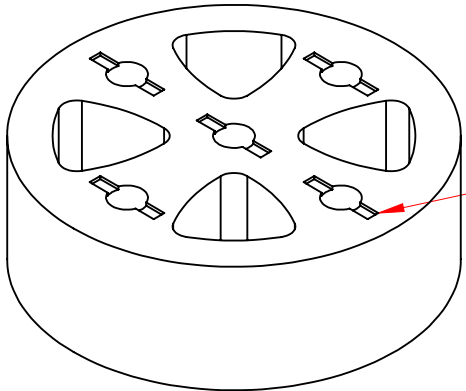
有側孔
With side hole



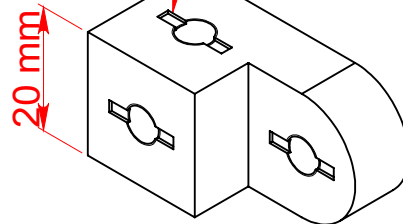
V



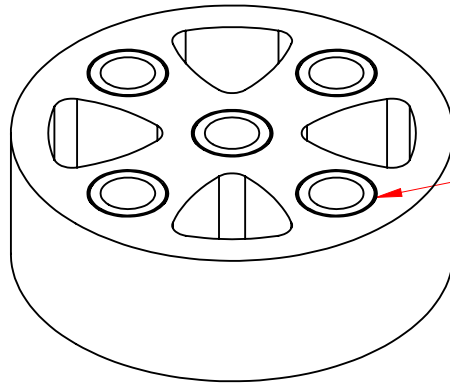
III



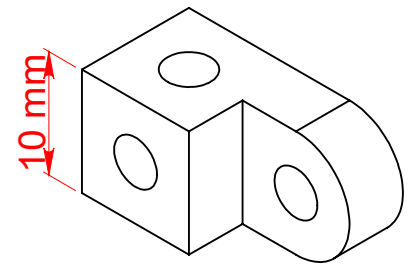
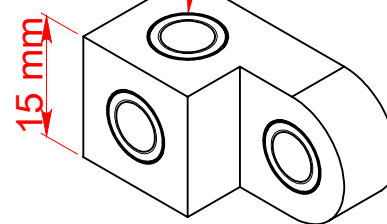
負牙標記
"- " block
if any of
the threaded
hole has a
"- " mark



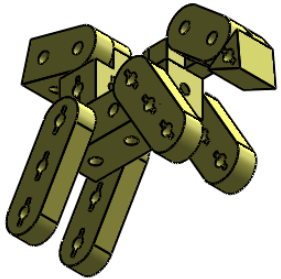
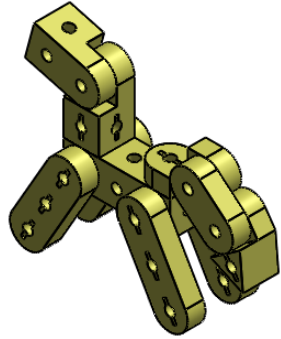
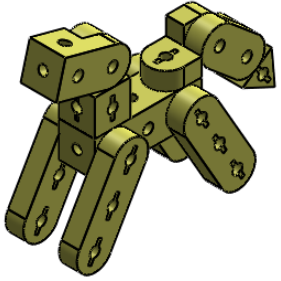
IV



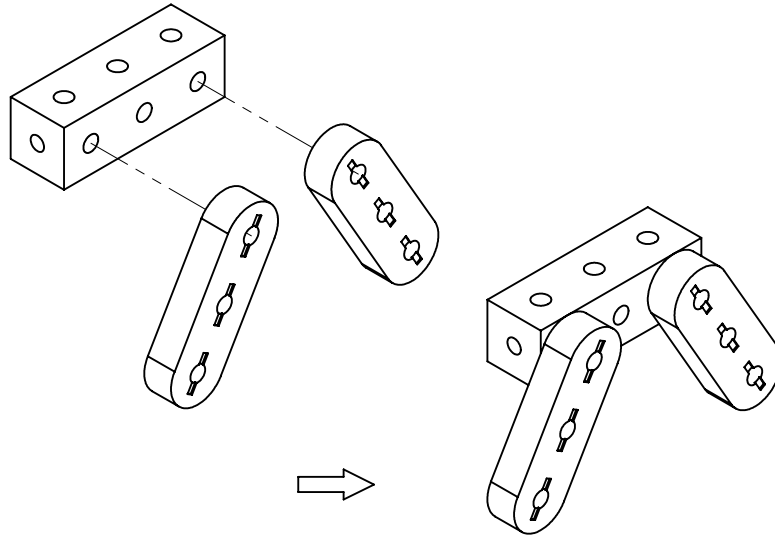
負牙標記
"- " block
A circular
ring outside
each threaded
hole



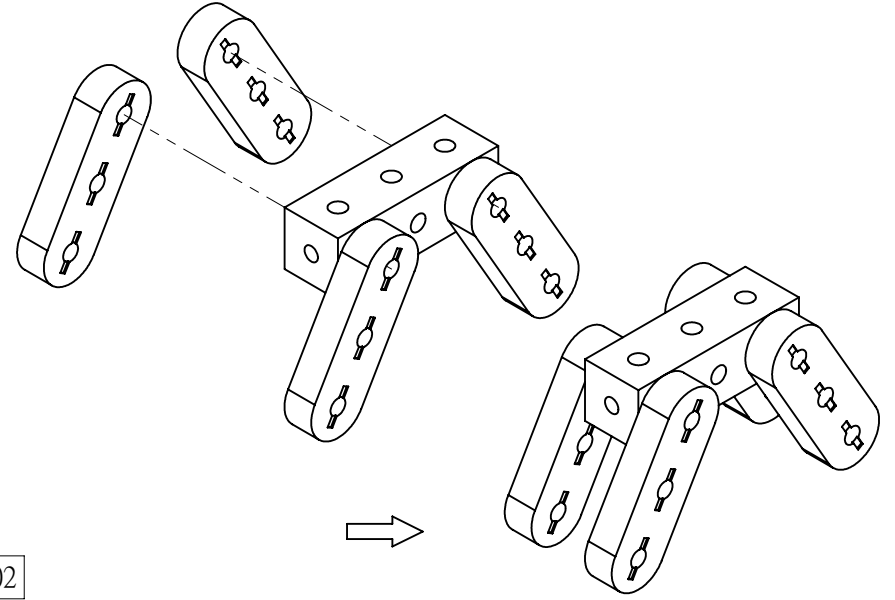
III



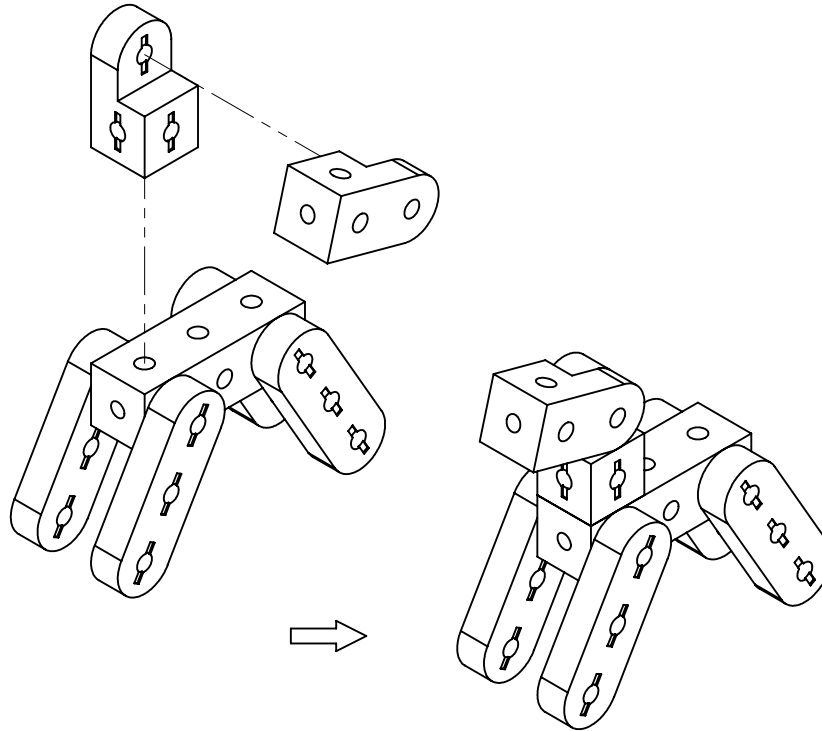
01



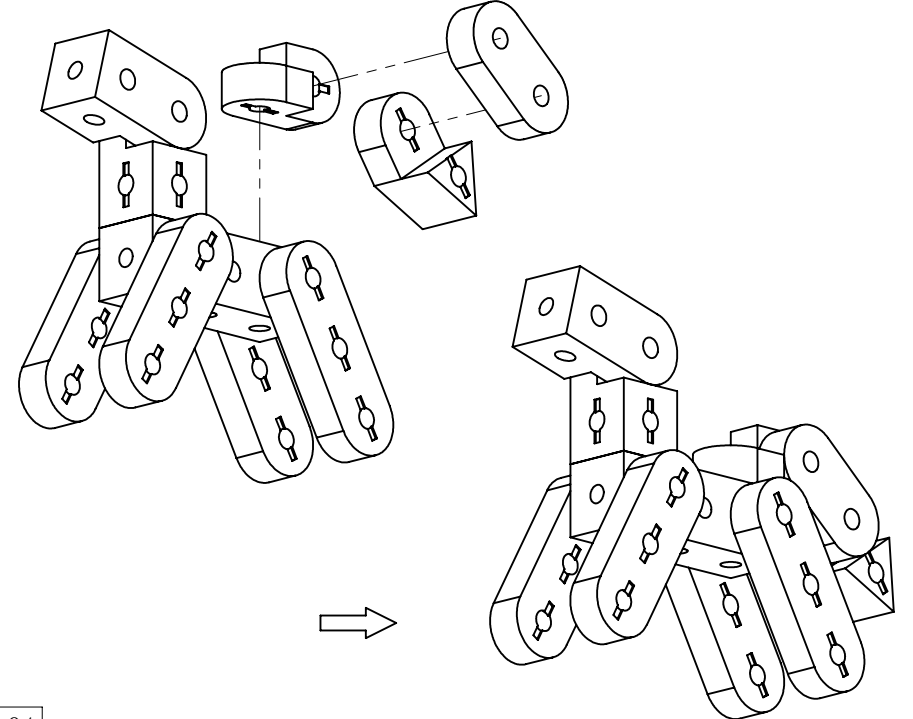
02



03

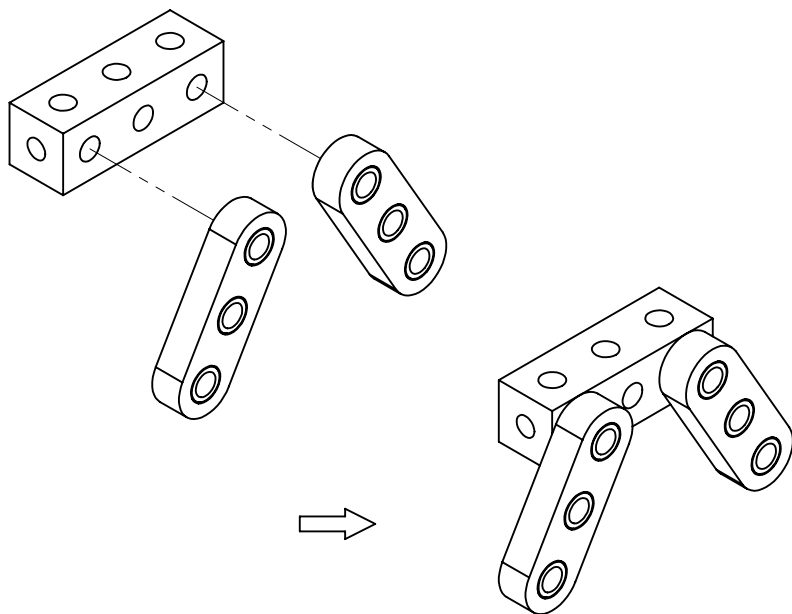
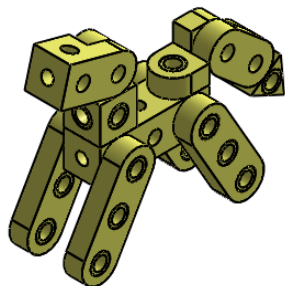


04

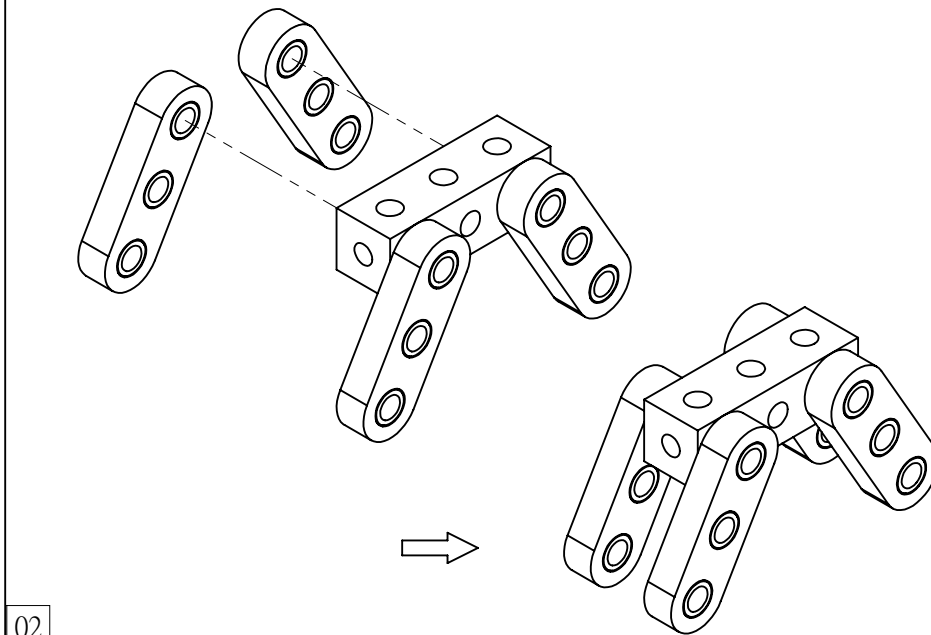
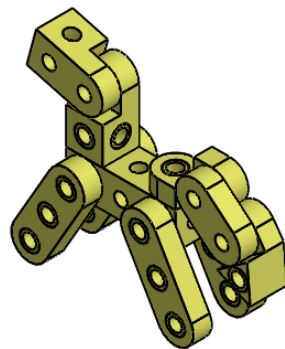




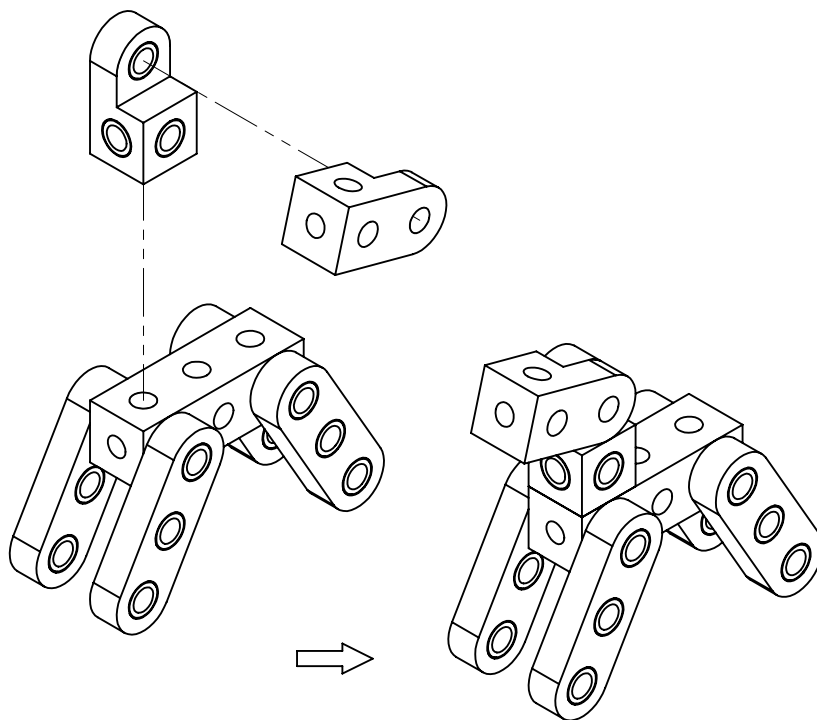
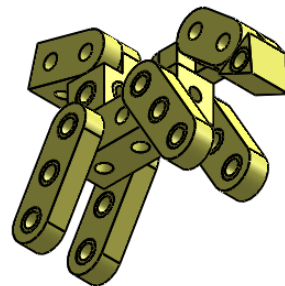
IV



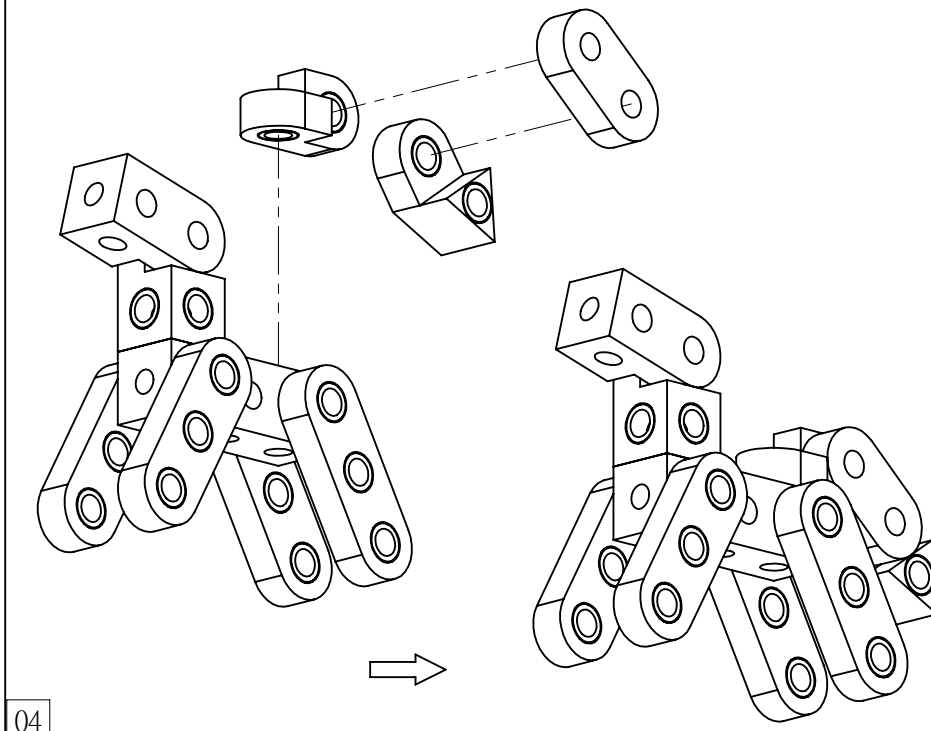
01



02



03



04