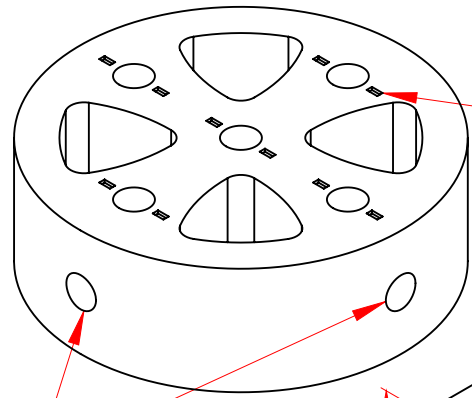
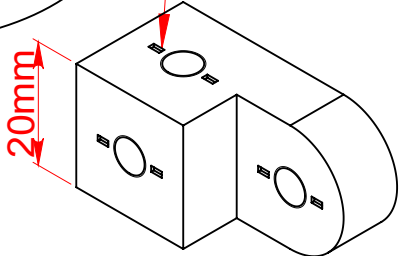


I 20mm ○

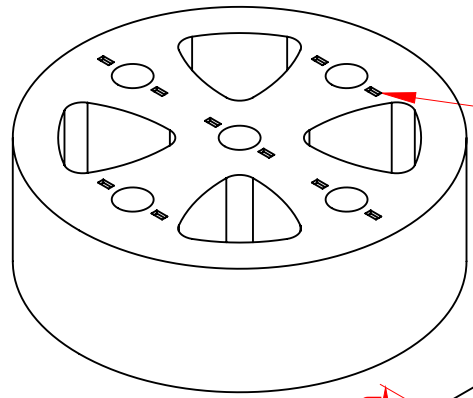


負牙標記
"- " block
if any of
the threaded
hole has a
"- " mark

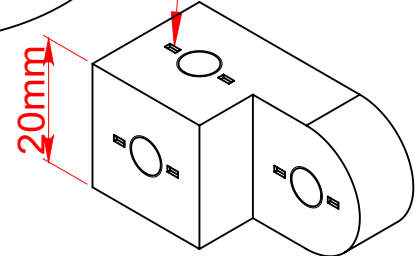
有側孔
With side hole



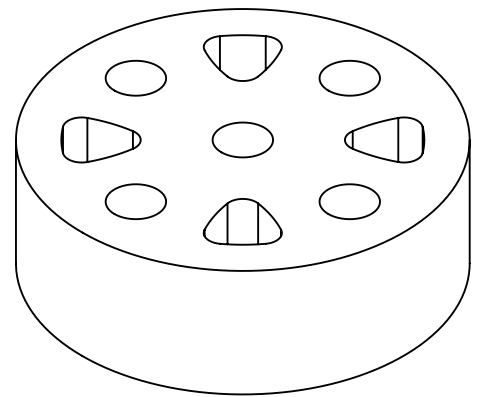
I 20mm ⊗



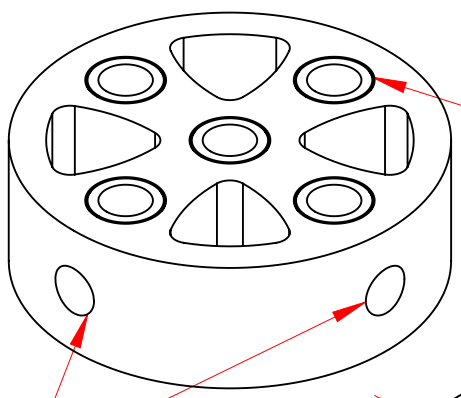
負牙標記
"- " block
if any of
the threaded
hole has a
"- " mark



III 10mm

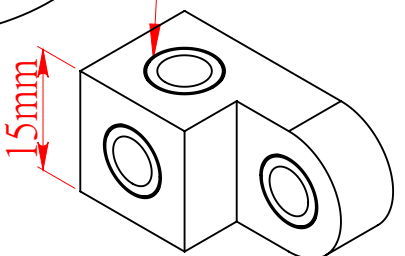


II 15mm ○

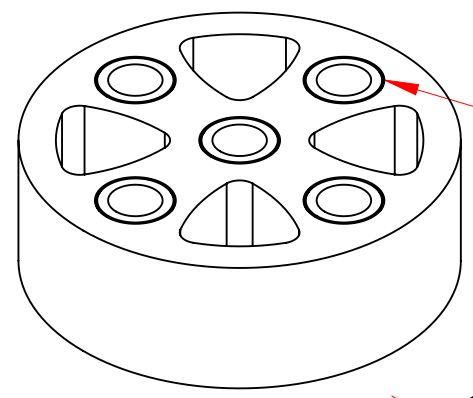


負牙標記
"- " block
A circular
ring outside
each threaded
hole

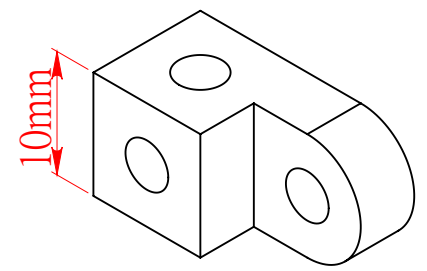
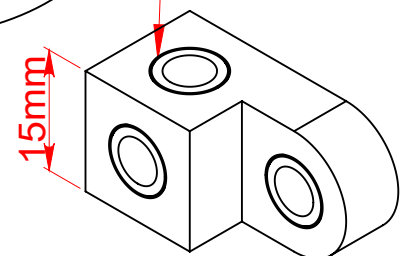
有側孔
With side hole


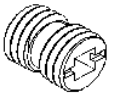
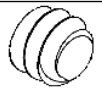

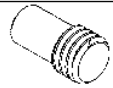
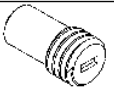
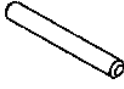
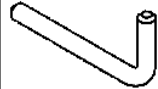



II 15mm ⊗



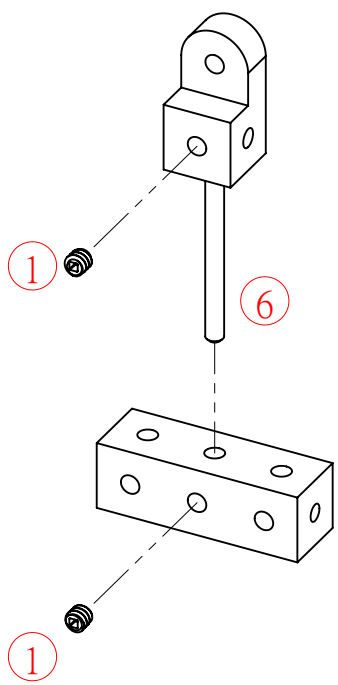
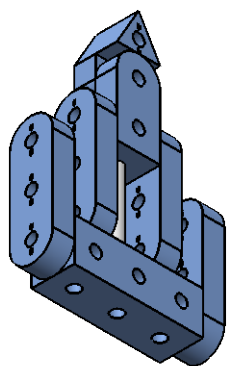
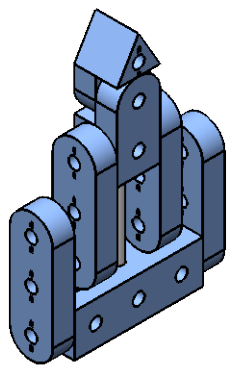
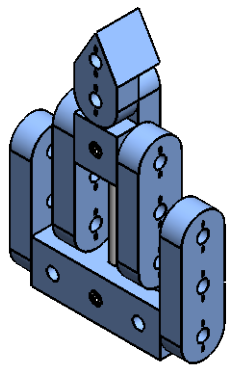
負牙標記
"- " block
A circular
ring outside
each threaded
hole



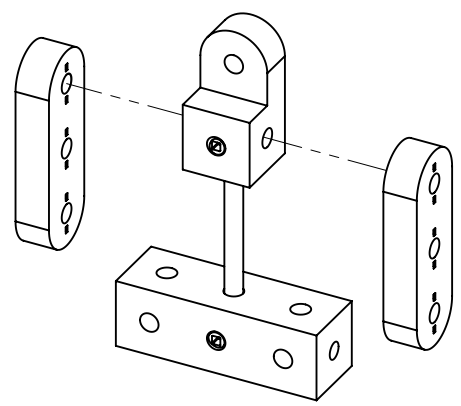
| | | | | | | | | |
|---|---|--|--|---|--|---|---|--|
|  |  | ① +  | ② -  | ③ +  | ④ -  |  |  | ⑫  |
| 1 | 9 | 2 | 1 | | | 2 | | |

- ⑤ 5 cm * 1
- ⑥ 7 cm * 1

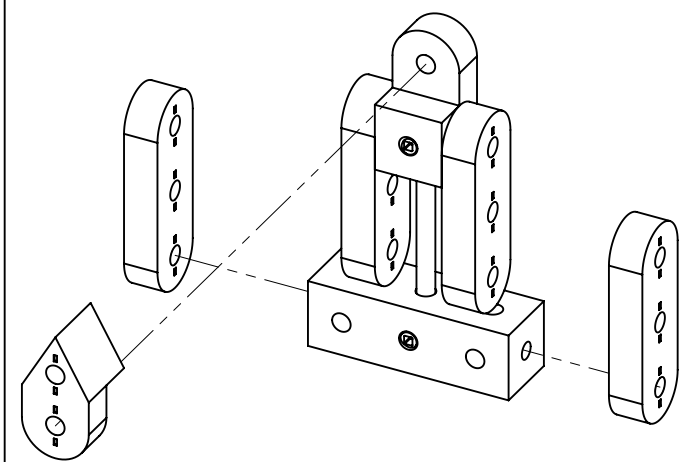
I 20mm ⊗




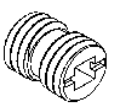




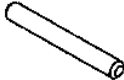
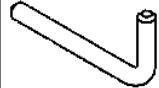

01



02



03

| | | | | | | | | |
|---|---|--|--|---|--|---|---|--|
|  |  | ① +  | ② -  | ③ +  | ④ -  |  |  | ⑫  |
| 1 | 9 | 2 | 1 | | | 2 | | |

- ⑤ 4 cm * 1
- ⑥ 5 cm * 1

II 15mm ⊗

