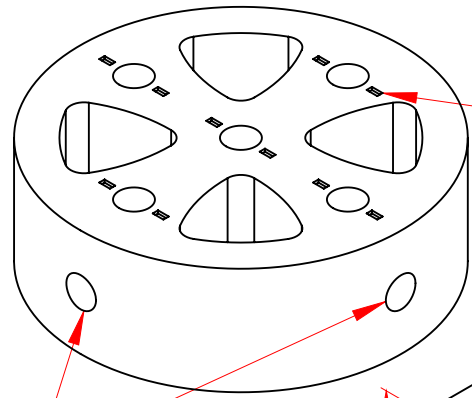
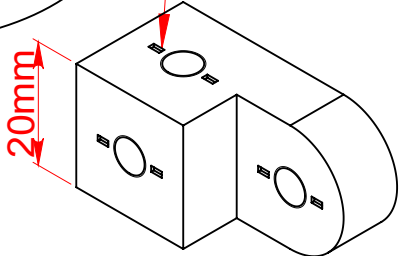


I 20mm ○

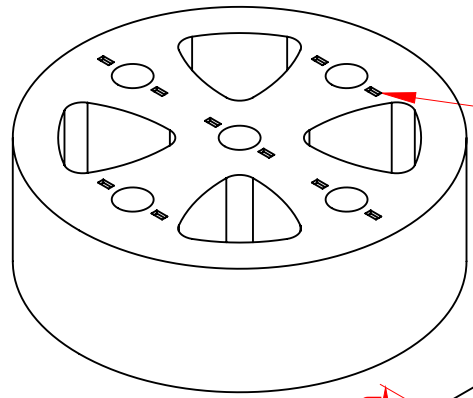


負牙標記
"- " block
if any of
the threaded
hole has a
"- " mark

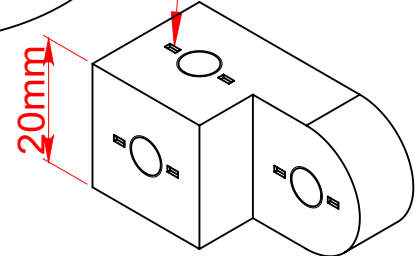
有側孔
With side hole



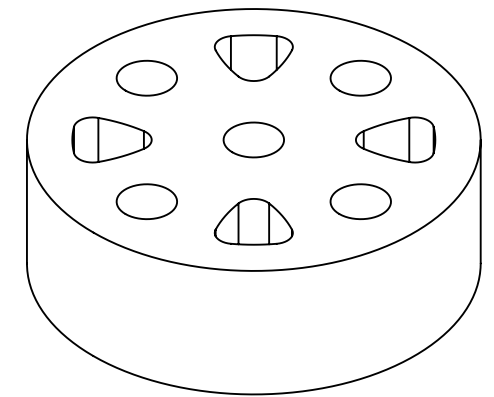
I 20mm ⊗



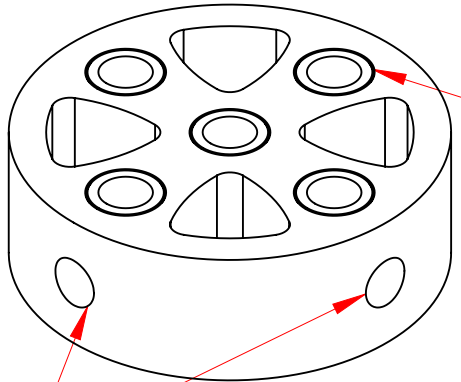
負牙標記
"- " block
if any of
the threaded
hole has a
"- " mark



III 10mm

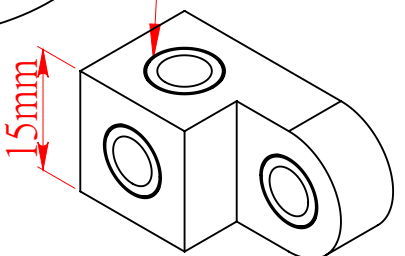


II 15mm ○

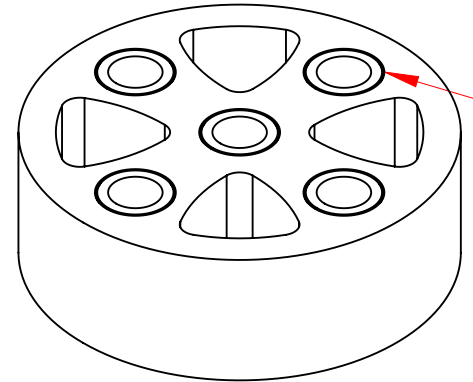


負牙標記
"- " block
A circular
ring outside
each threaded
hole

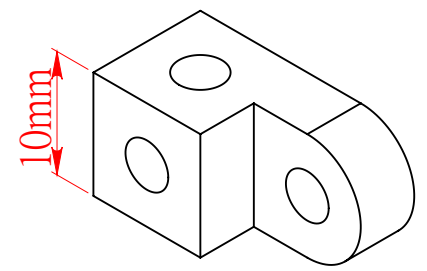
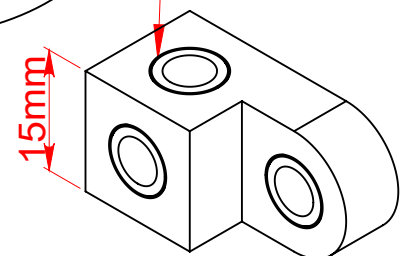
有側孔
With side hole


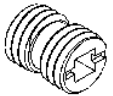









II 15mm ⊗

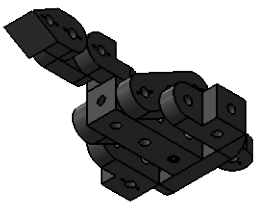
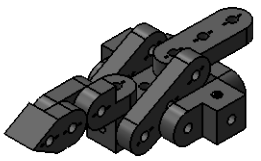
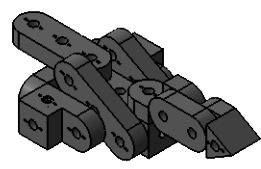
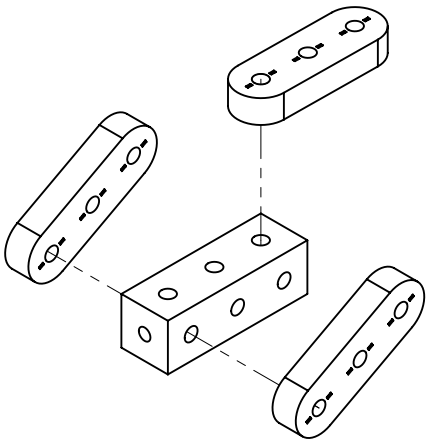


負牙標記
"- " block
A circular
ring outside
each threaded
hole

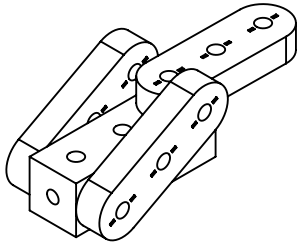


		① + 	② - 	③ + 	④ - 			⑫ 	⑤ 5 cm * 1 ⑥ 7 cm * 1
1	9	2	1			2			

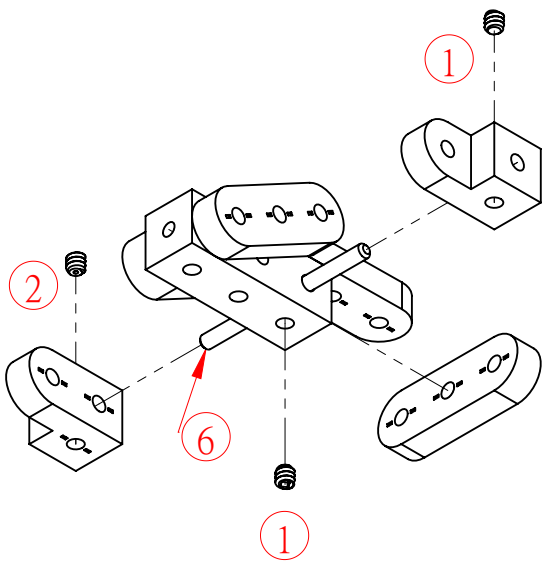
I 20mm ⊗

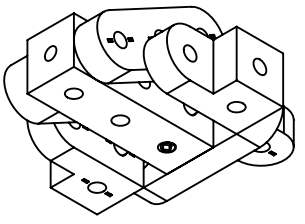
→



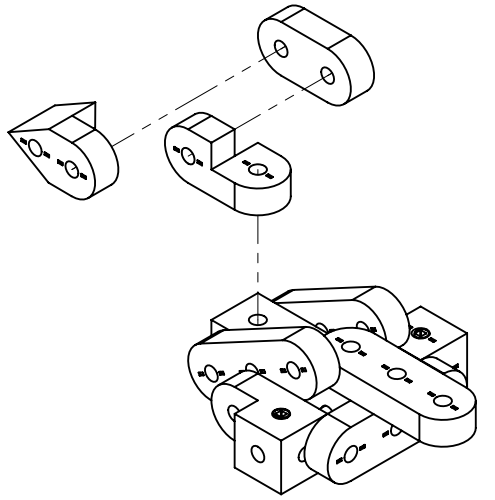
01



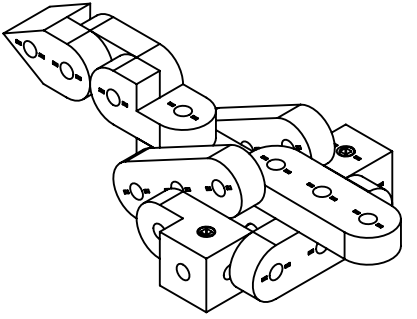
→



02


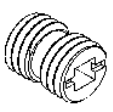
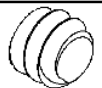

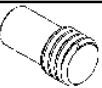
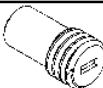
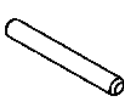
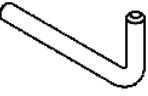
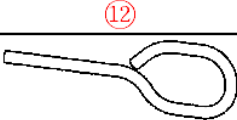


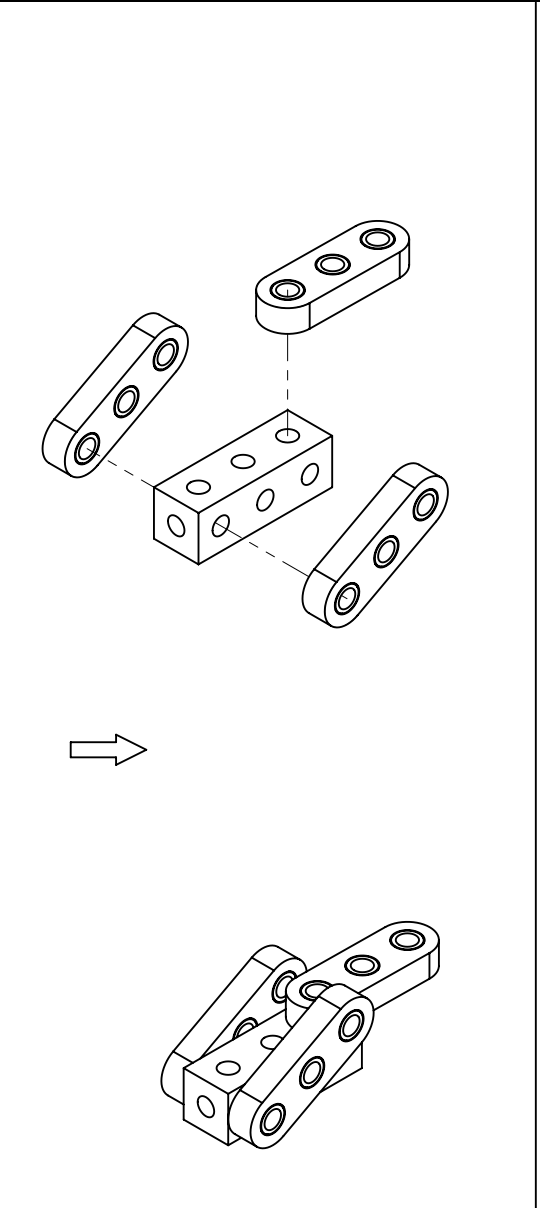
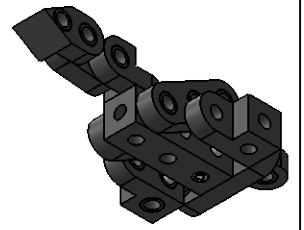
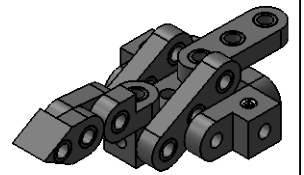
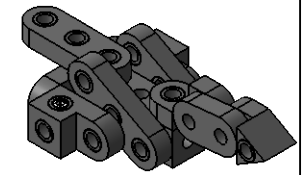
→



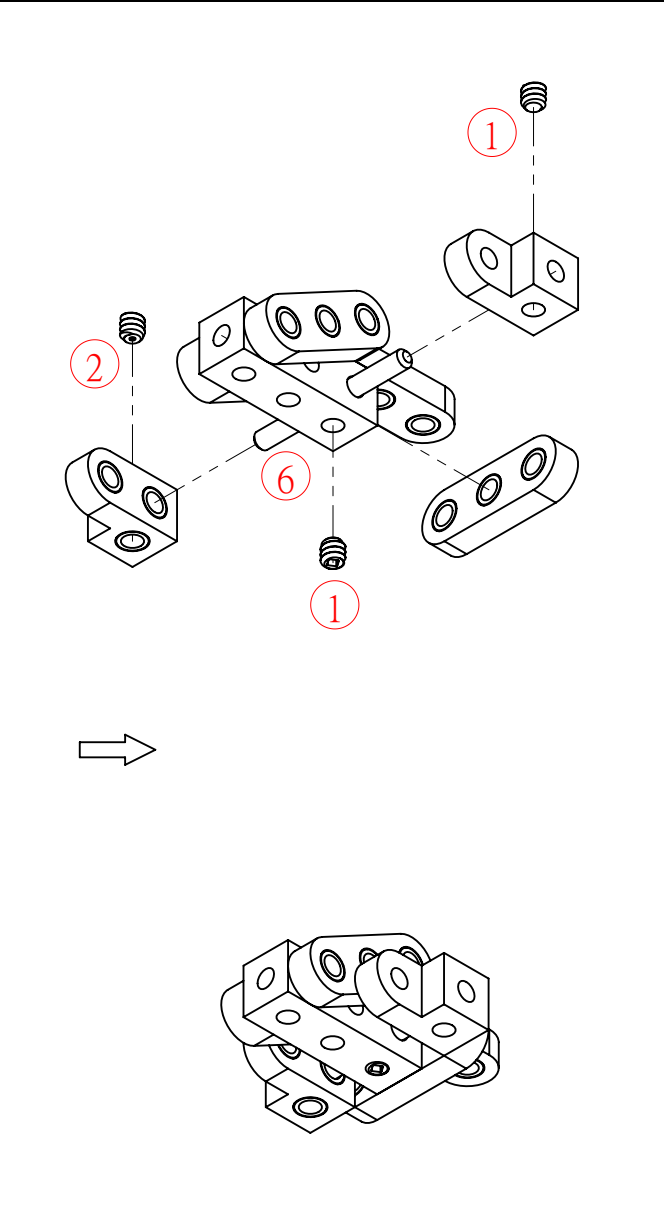
03

II 15mm ⊗

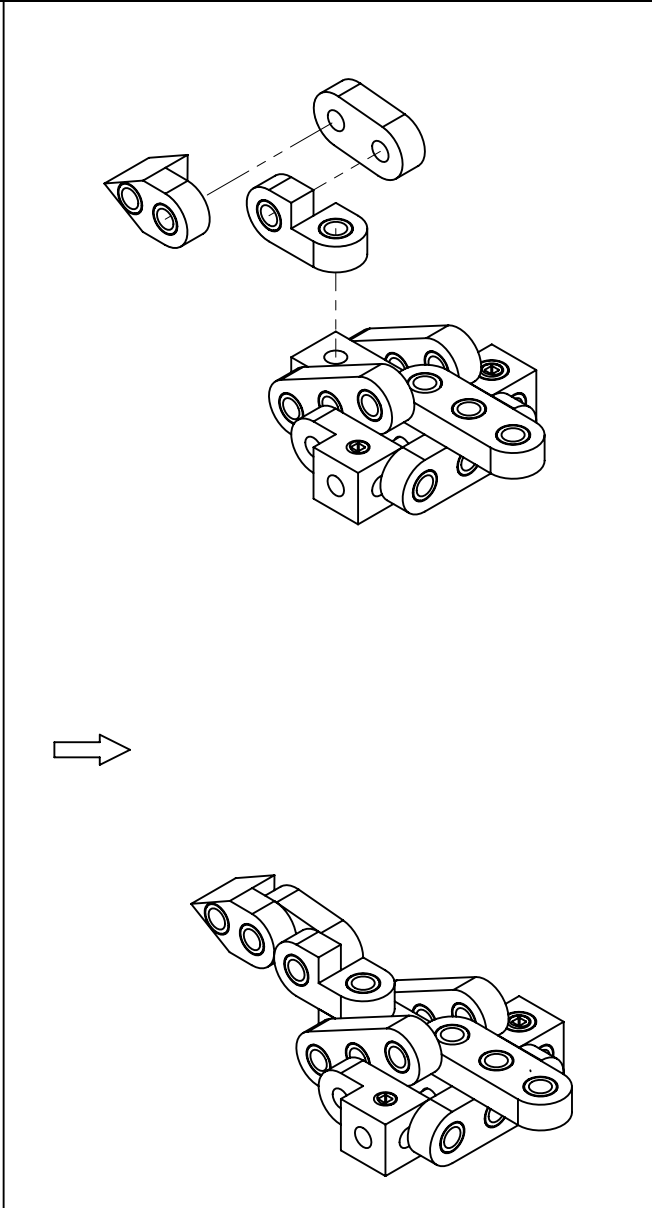
		① + 	② - 	③ + 	④ - 			⑫ 	⑤ 4 cm * 1 ⑥ 5 cm * 1
1	9	2	1			2			



01



02



03