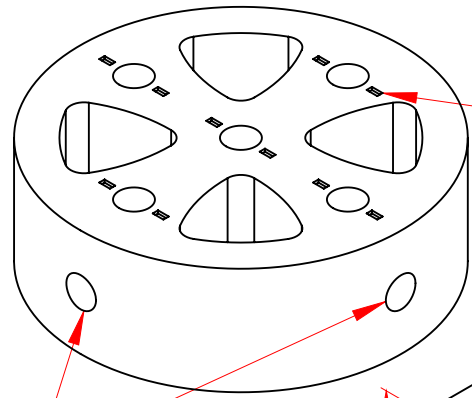
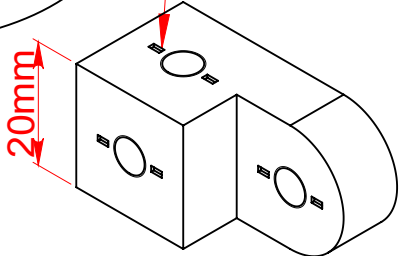


I 20mm ○

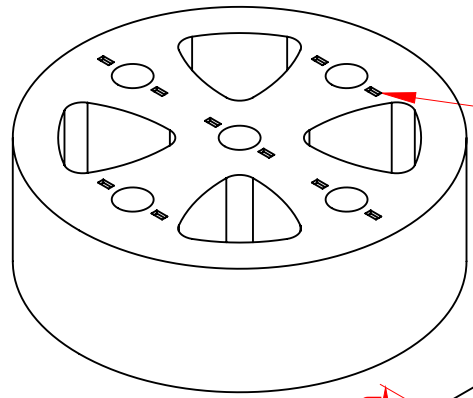


負牙標記
"- " block
if any of
the threaded
hole has a
"- " mark

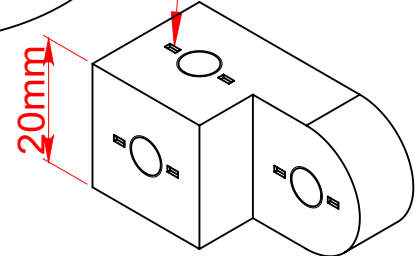
有側孔
With side hole



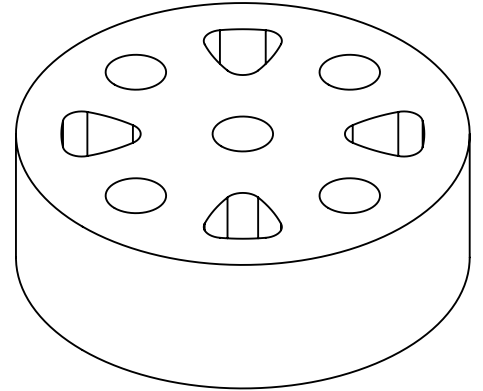
I 20mm ⊗



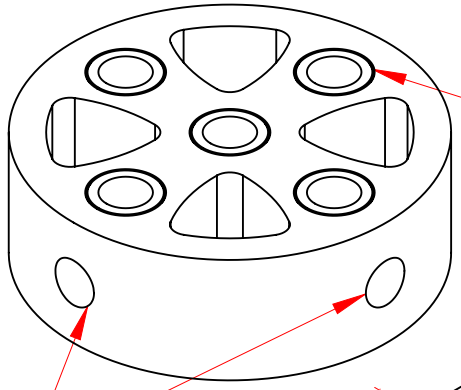
負牙標記
"- " block
if any of
the threaded
hole has a
"- " mark



III 10mm

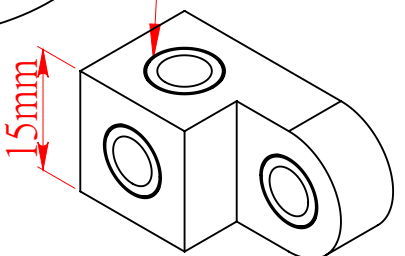


II 15mm ○

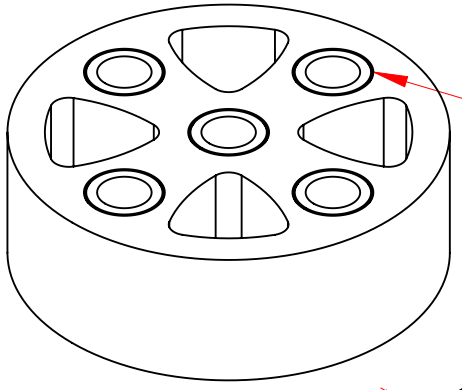


負牙標記
"- " block
A circular
ring outside
each threaded
hole

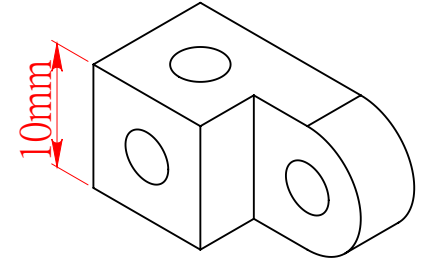
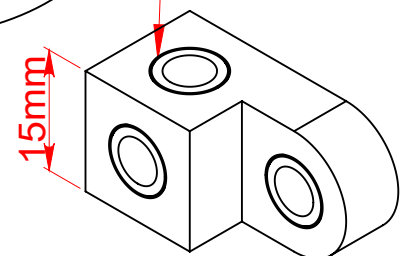
有側孔
With side hole


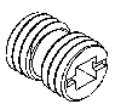



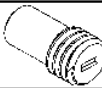
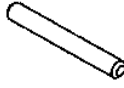
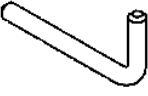


II 15mm ⊗



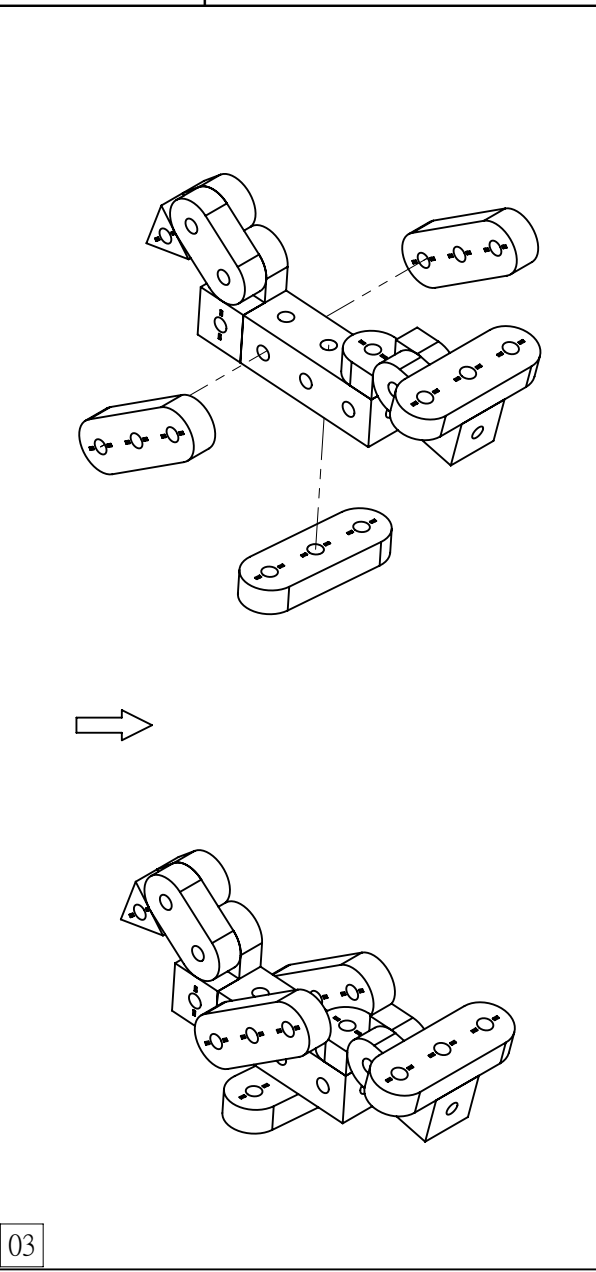
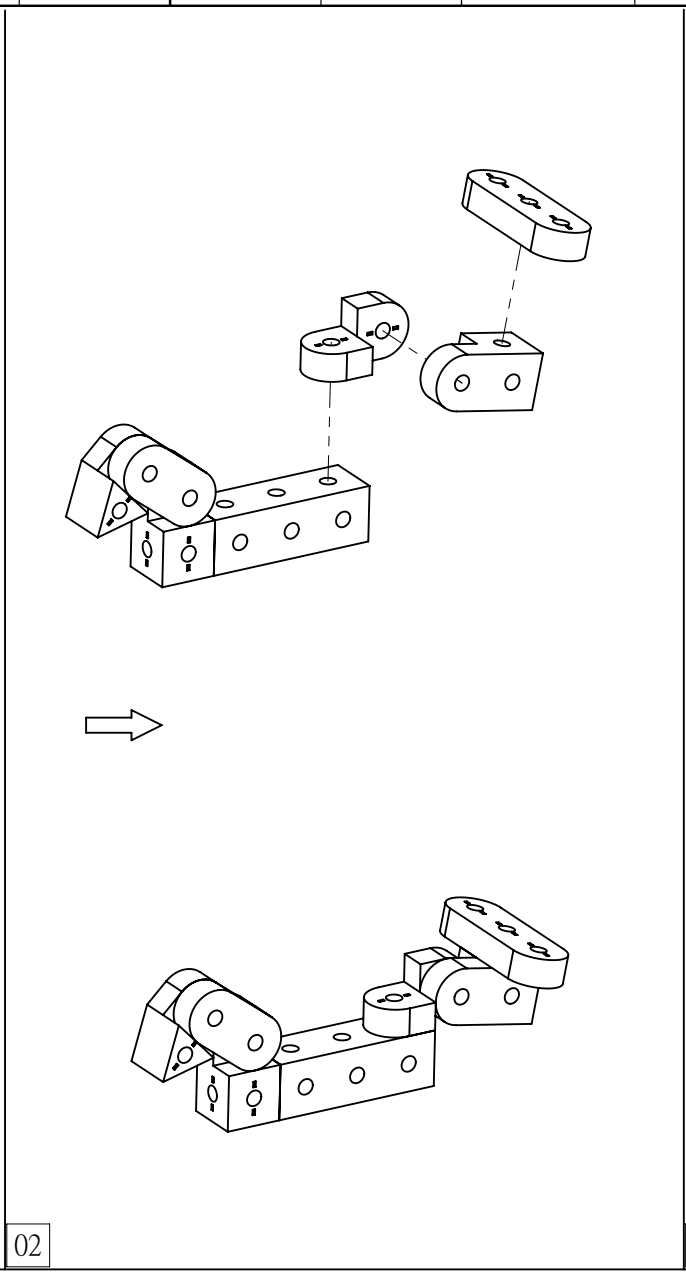
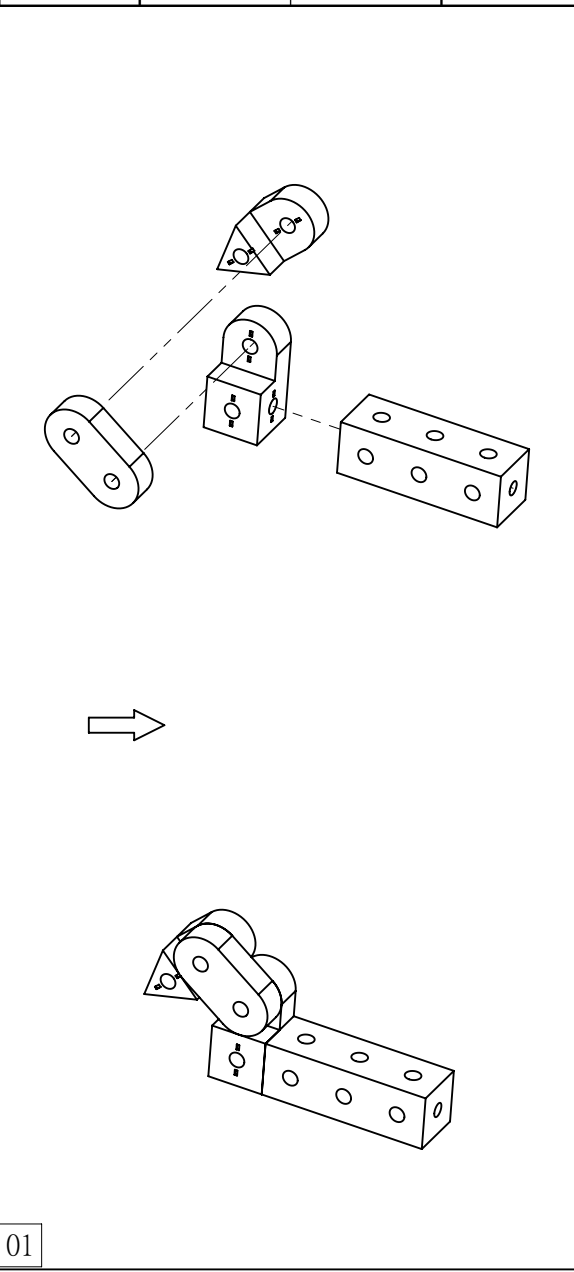
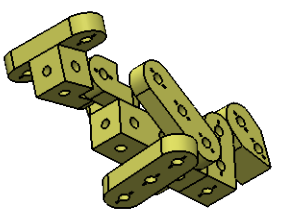
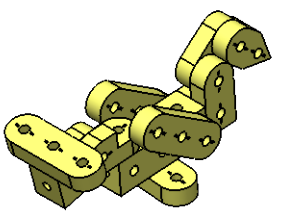
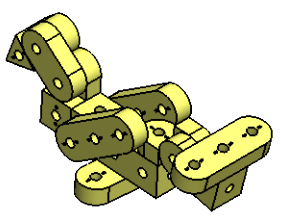
負牙標記
"- " block
A circular
ring outside
each threaded
hole


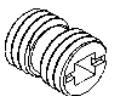




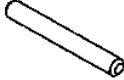
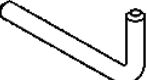



		① + 	② - 	③ + 	④ - 		
1	9	2	1			2	

- ⑤ 5 cm * 1
- ⑥ 7 cm * 1

I 20mm ⊗



		① + 	② - 	③ + 	④ - 			⑫ 
1	9	2	1			2		

- ⑤ 4 cm * 1
- ⑥ 5 cm * 1

II 15mm ⊗

