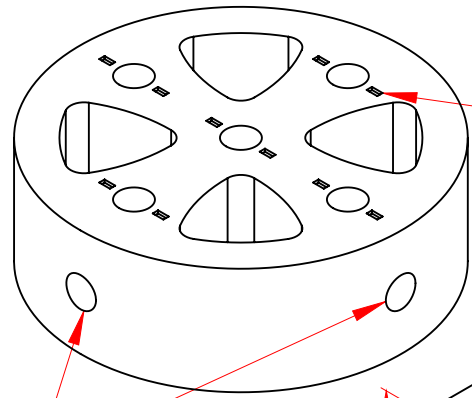
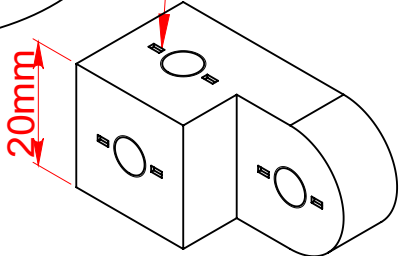


I 20mm ○

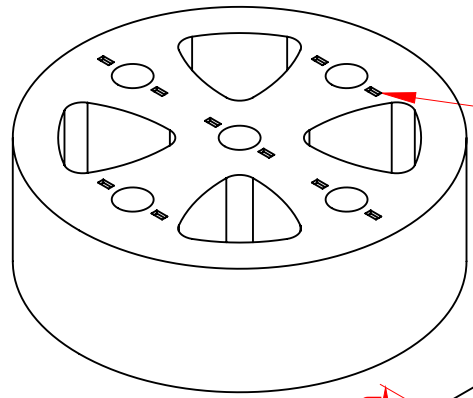


負牙標記  
"- " block  
if any of  
the threaded  
hole has a  
"- " mark

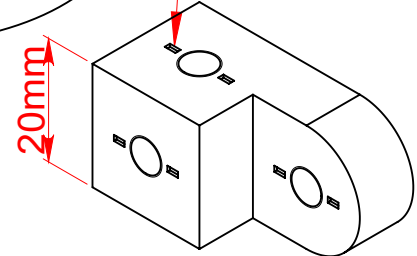
有側孔  
With side hole



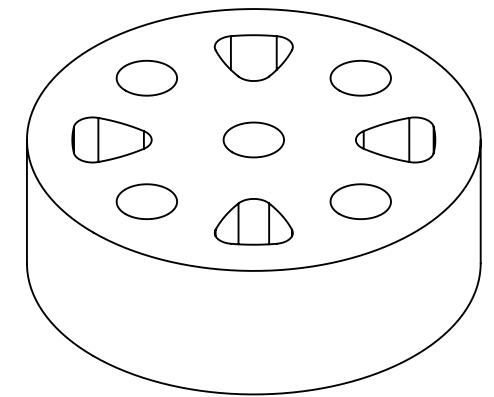
I 20mm ⊗



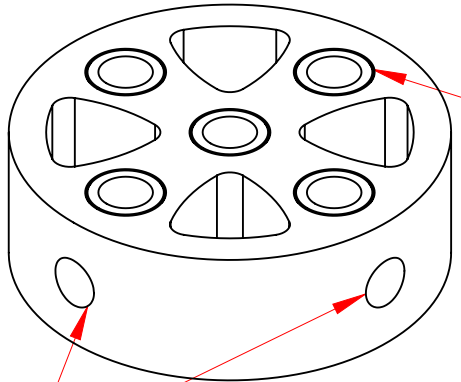
負牙標記  
"- " block  
if any of  
the threaded  
hole has a  
"- " mark



III 10mm

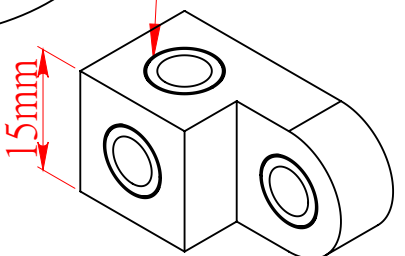


II 15mm ○

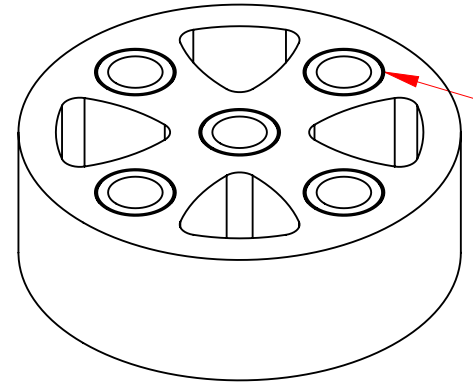


負牙標記  
"- " block  
A circular  
ring outside  
each threaded  
hole

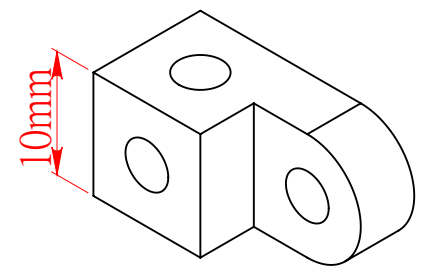
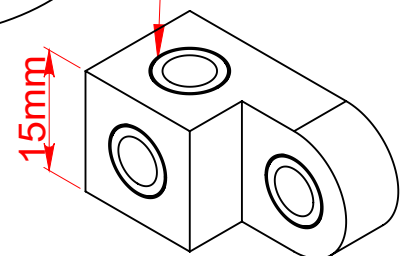
有側孔  
With side hole


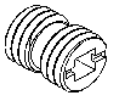




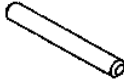
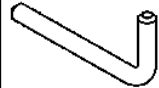



II 15mm ⊗

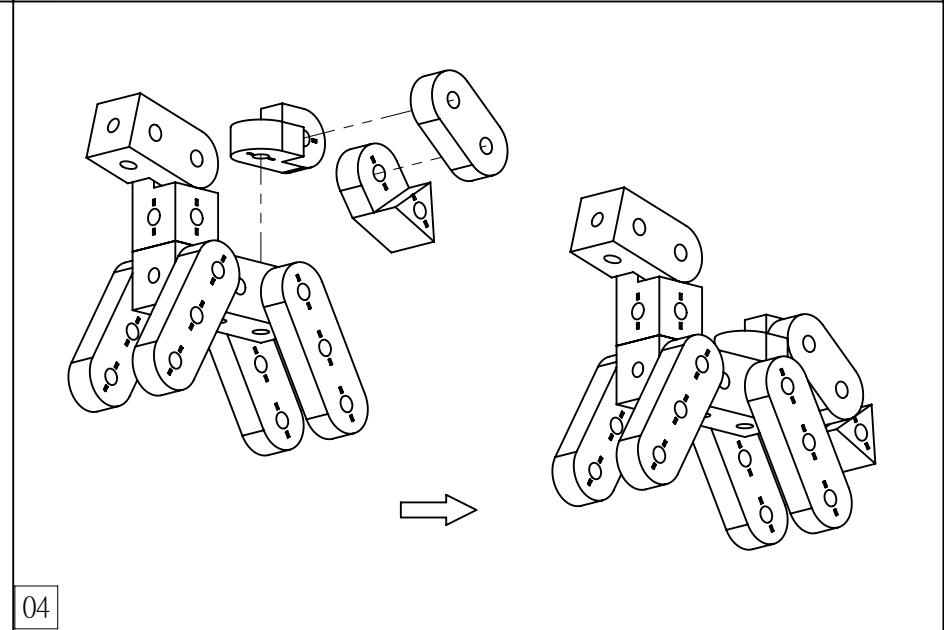
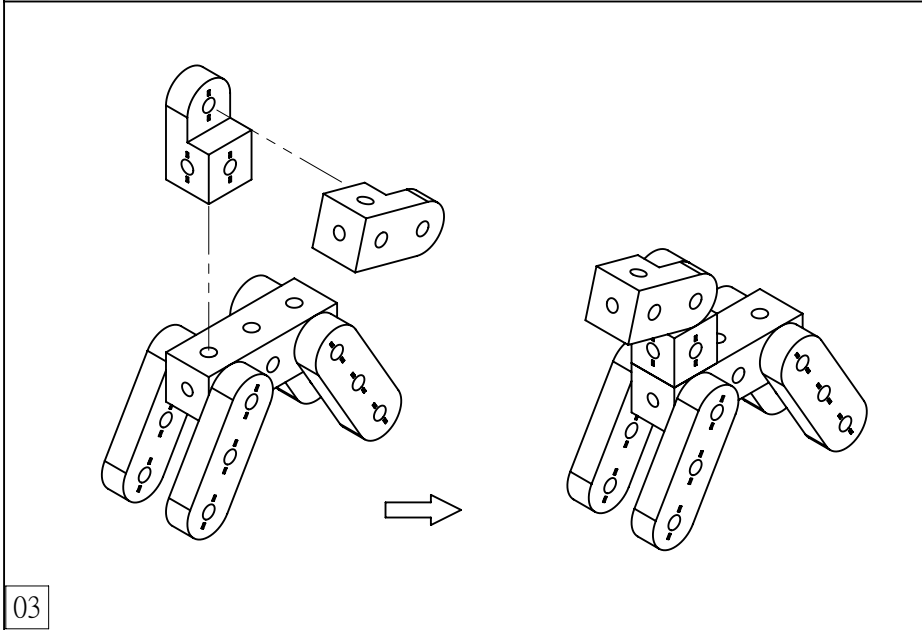
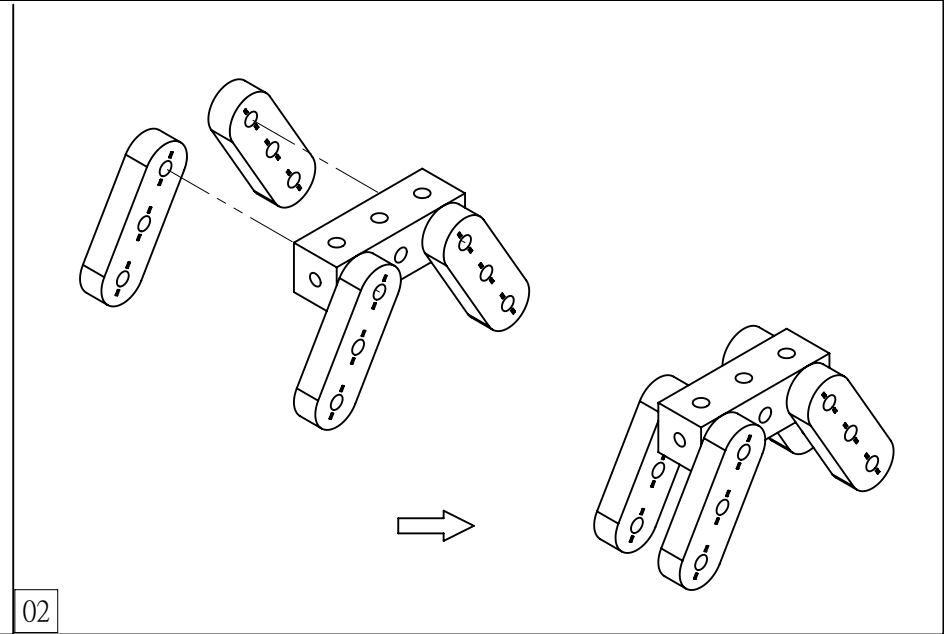
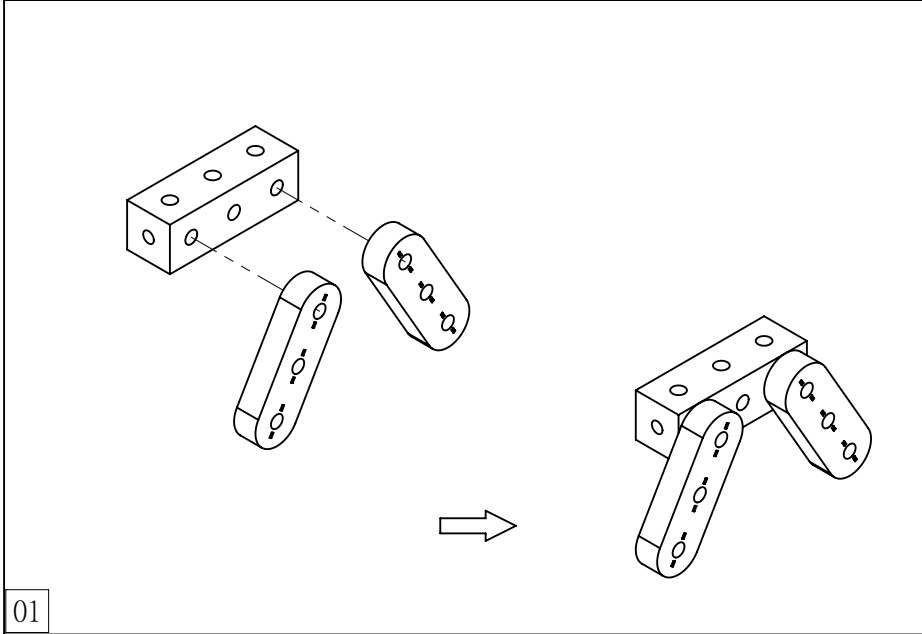
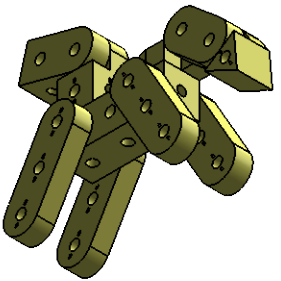
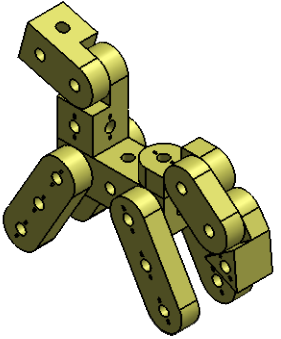
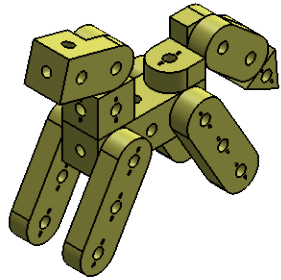



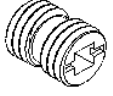


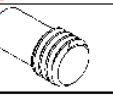
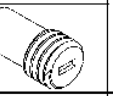


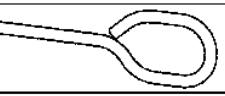
負牙標記  
"- " block  
A circular  
ring outside  
each threaded  
hole



		① + 	② - 	③ + 	④ - 			⑫ 	⑤ 5 cm * 1 ⑥ 7 cm * 1
1	9	2	1			2			

I 20mm ⊗



		① + 	② - 	③ + 	④ - 			⑫ 	⑤ 4 cm * 1 ⑥ 5 cm * 1
1	9	2	1			2			

**II** 15mm ⊗

