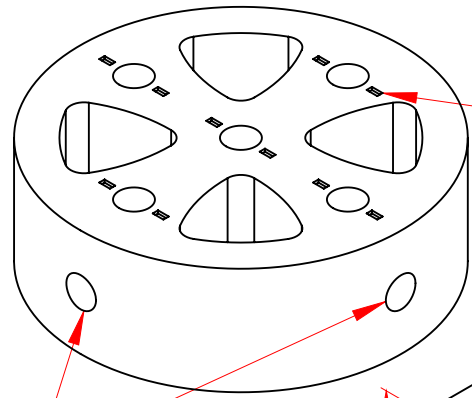
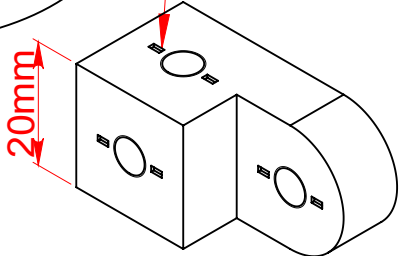


I 20mm ○

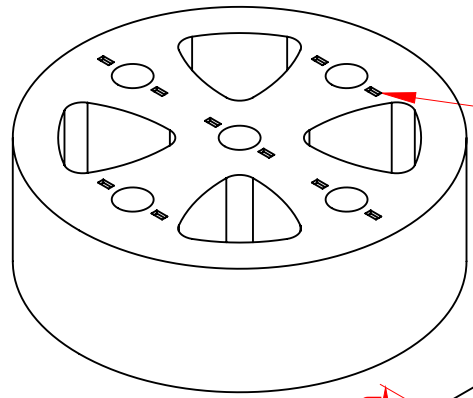


負牙標記  
"- " block  
if any of  
the threaded  
hole has a  
"- " mark

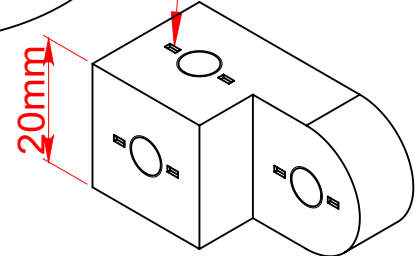
有側孔  
With side hole



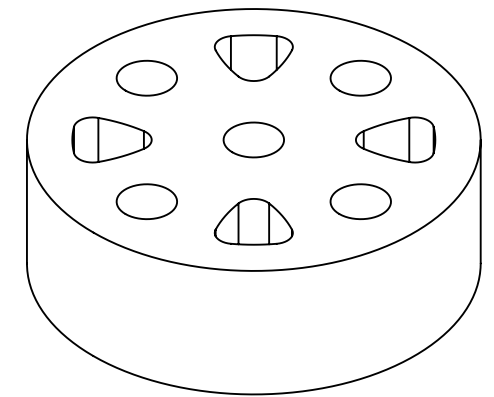
I 20mm ⊗



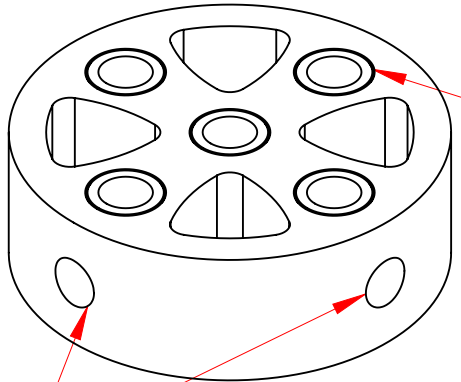
負牙標記  
"- " block  
if any of  
the threaded  
hole has a  
"- " mark



III 10mm

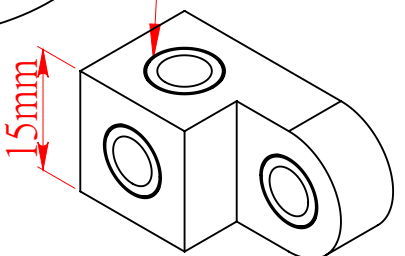


II 15mm ○

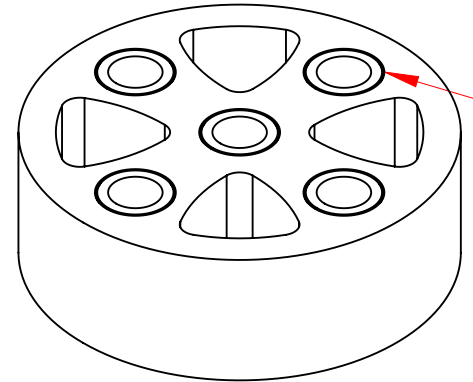


負牙標記  
"- " block  
A circular  
ring outside  
each threaded  
hole

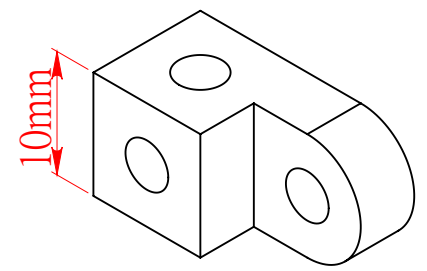
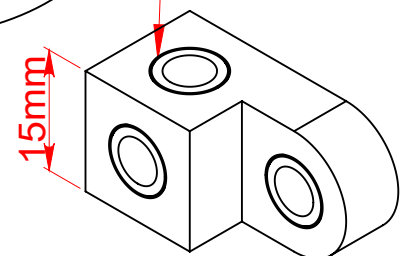
有側孔  
With side hole


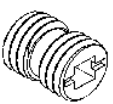




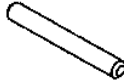
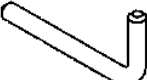



II 15mm ⊗



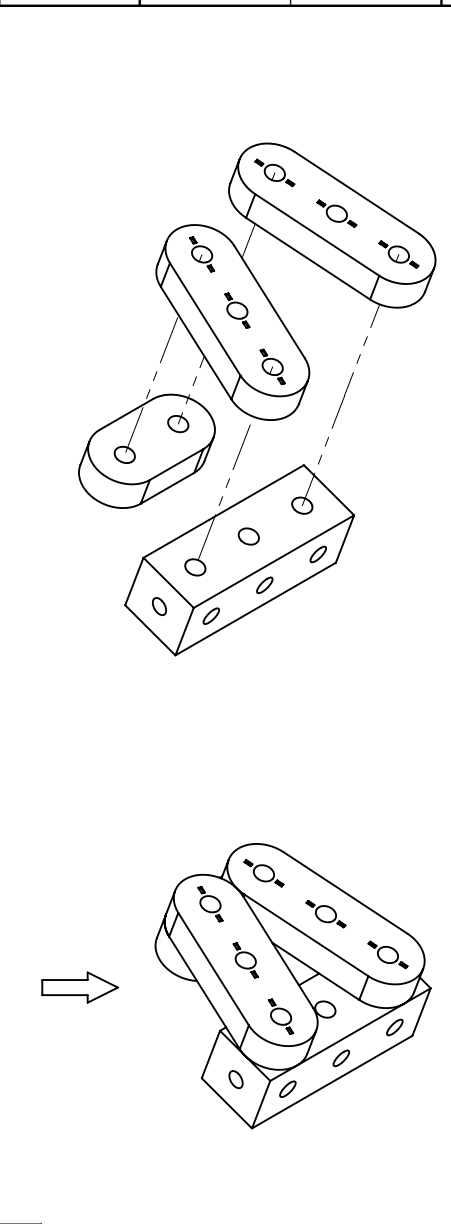
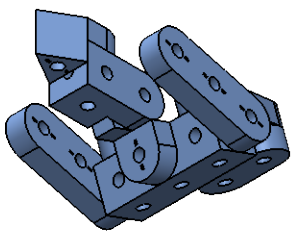
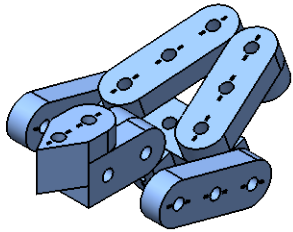
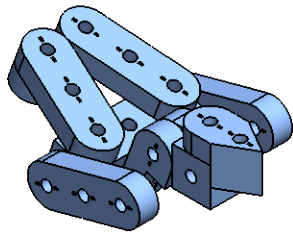
負牙標記  
"- " block  
A circular  
ring outside  
each threaded  
hole



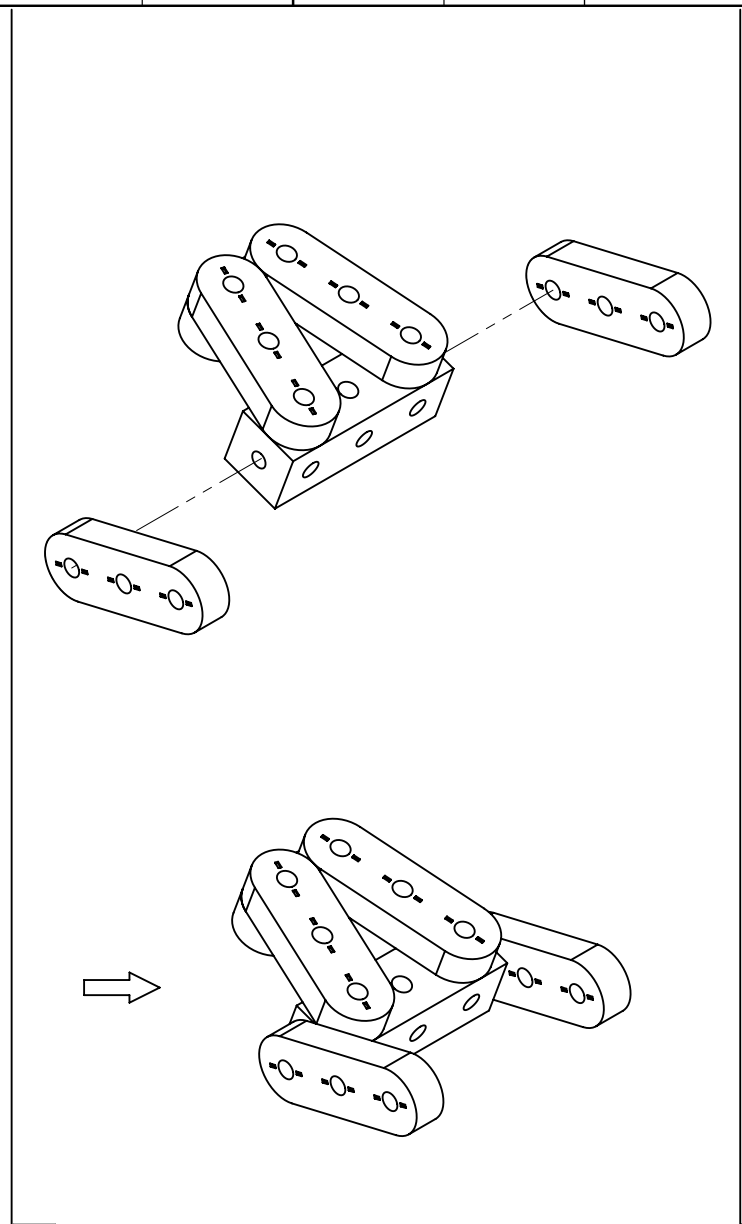
		① + 	② - 	③ + 	④ - 			⑫ 
1	9	2	1			2		

- ⑤ 5 cm \* 1
- ⑥ 7 cm \* 1

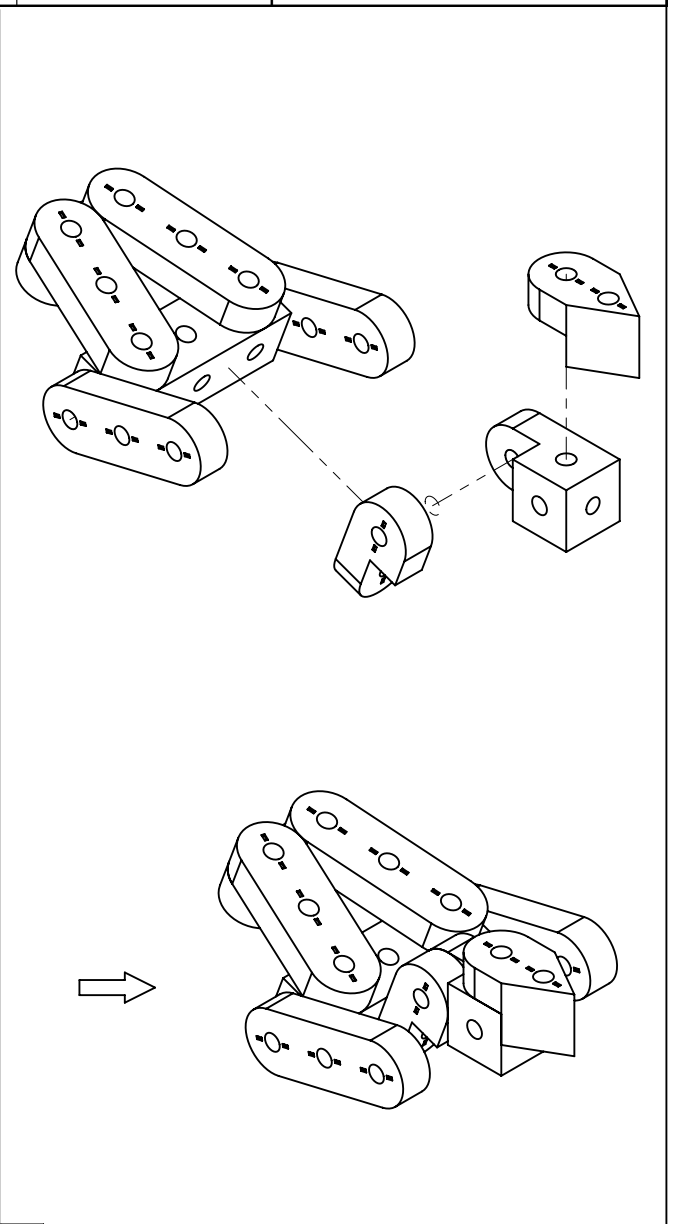
I 20mm ⊗




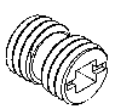
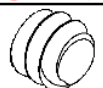

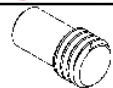

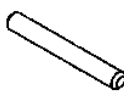
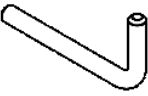
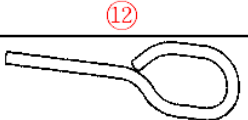
01



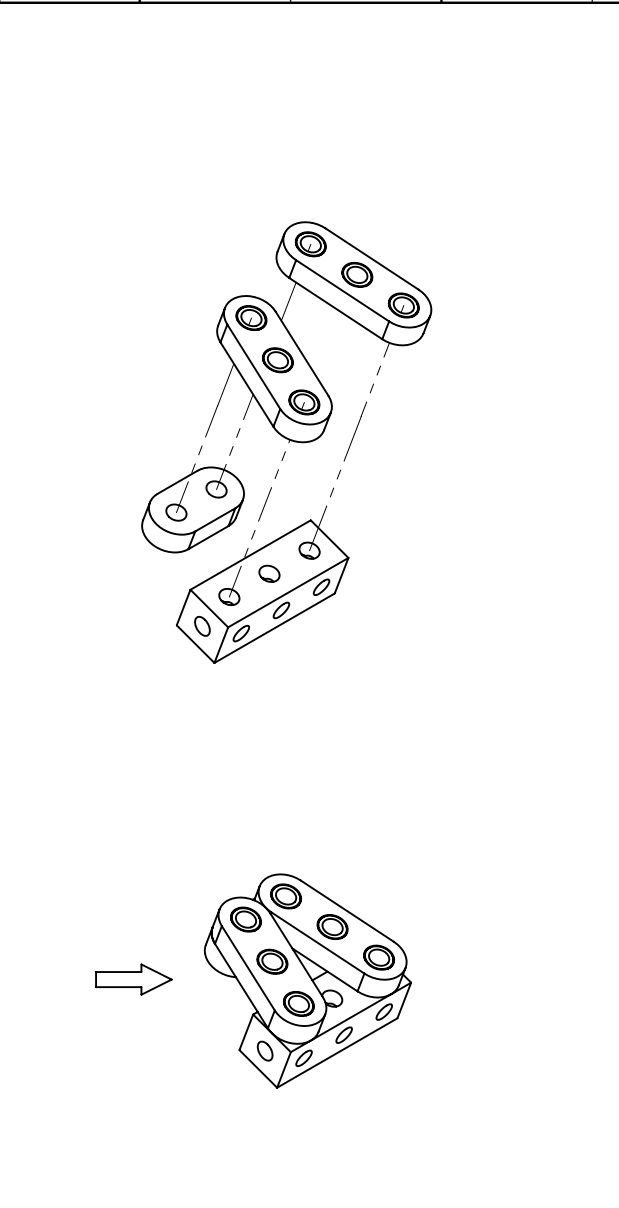
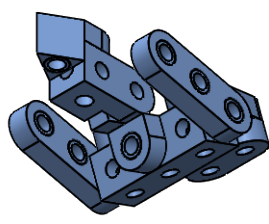
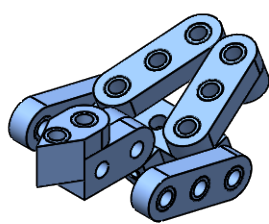
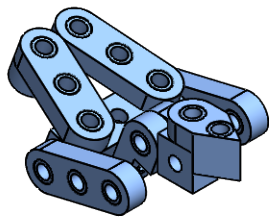
02



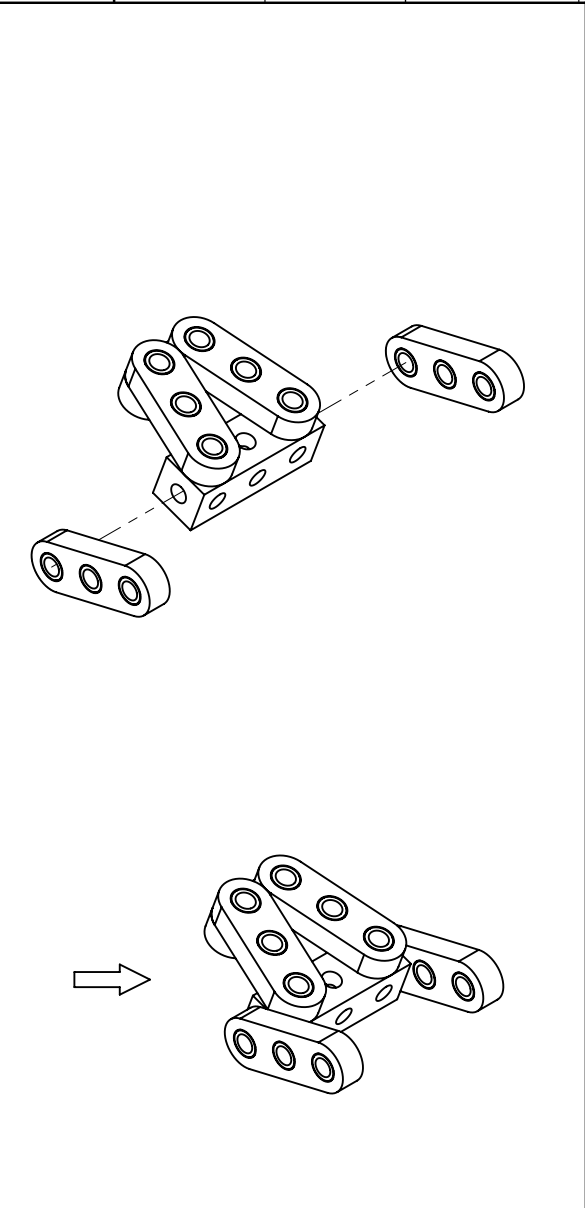
03

		① + 	② - 	③ + 	④ - 			⑫ 	⑤ 4 cm * 1 ⑥ 5 cm * 1
1	9	2	1			2			

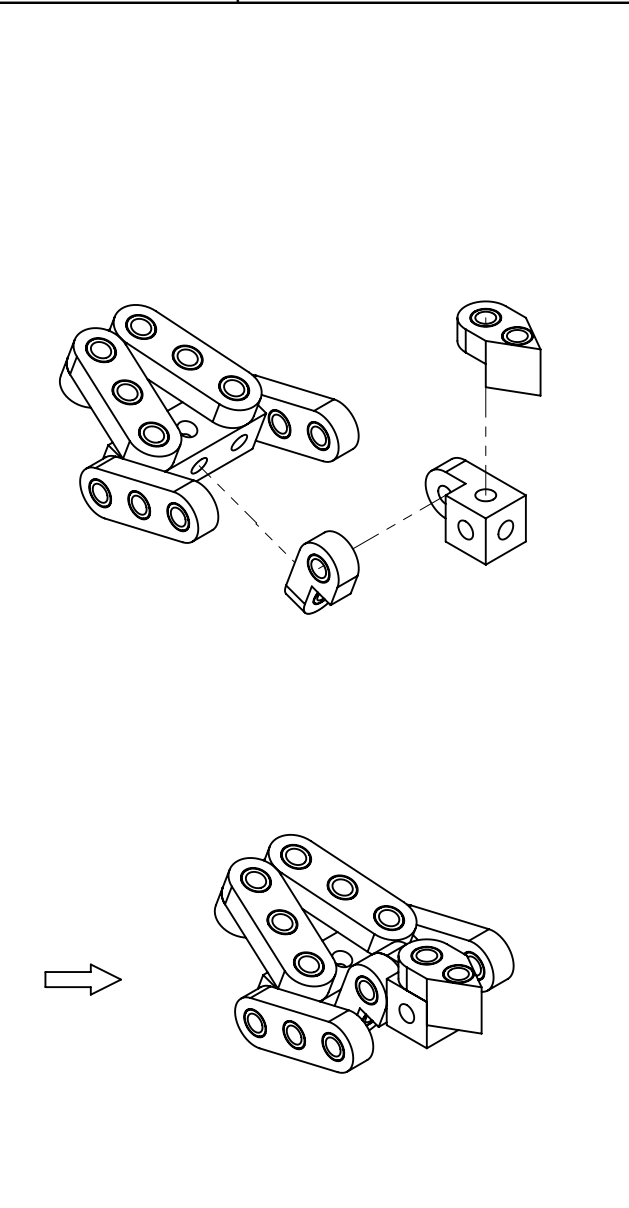
**II** 15mm ⊗



01



02



03